



WWW.PALLETFORKS.COM

TITAN

ATTACHMENTS



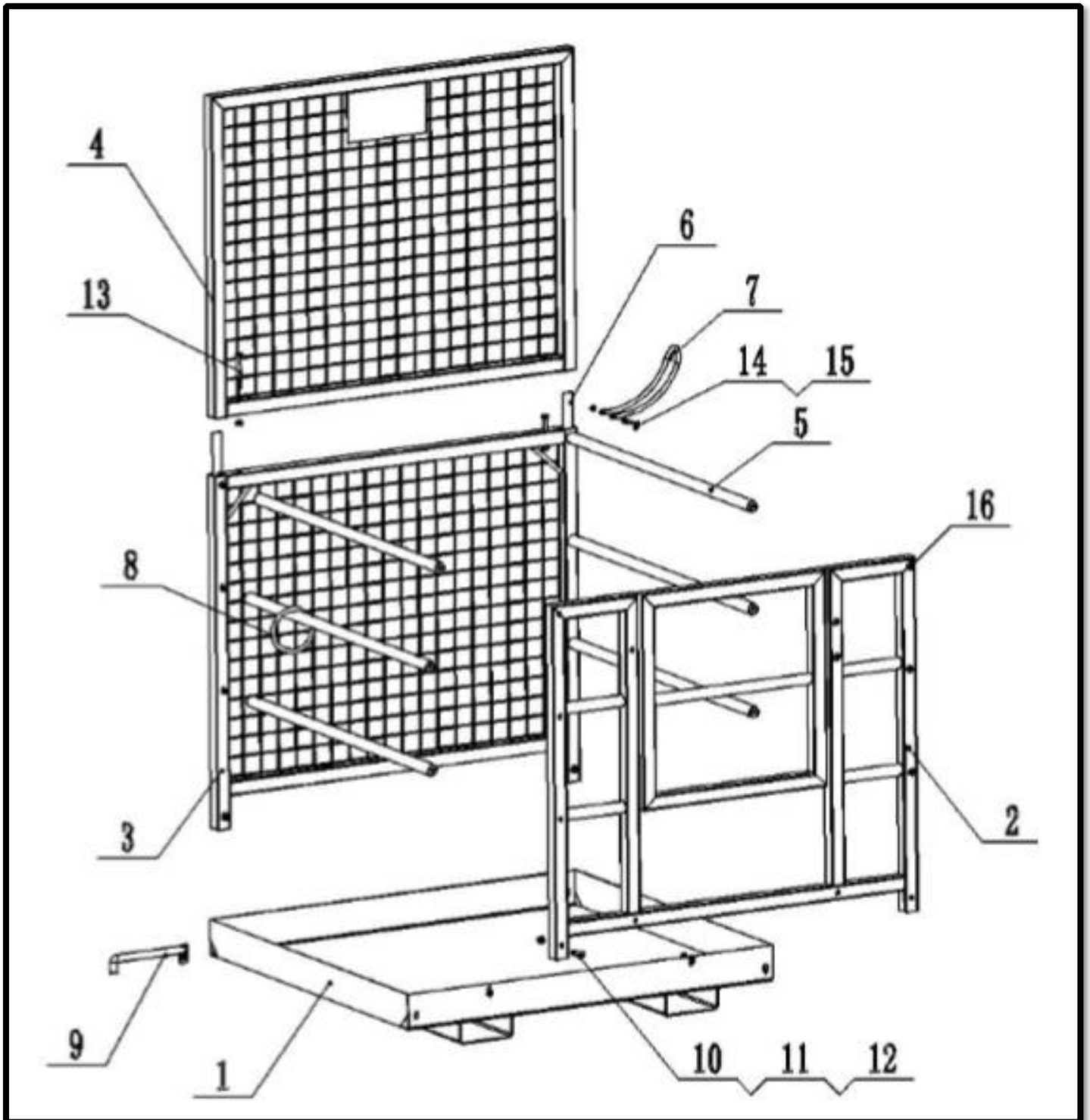
OWNER'S MANUAL

MPN(s): LWP10

SKU(s): 194132

UPC(s): 737069522272

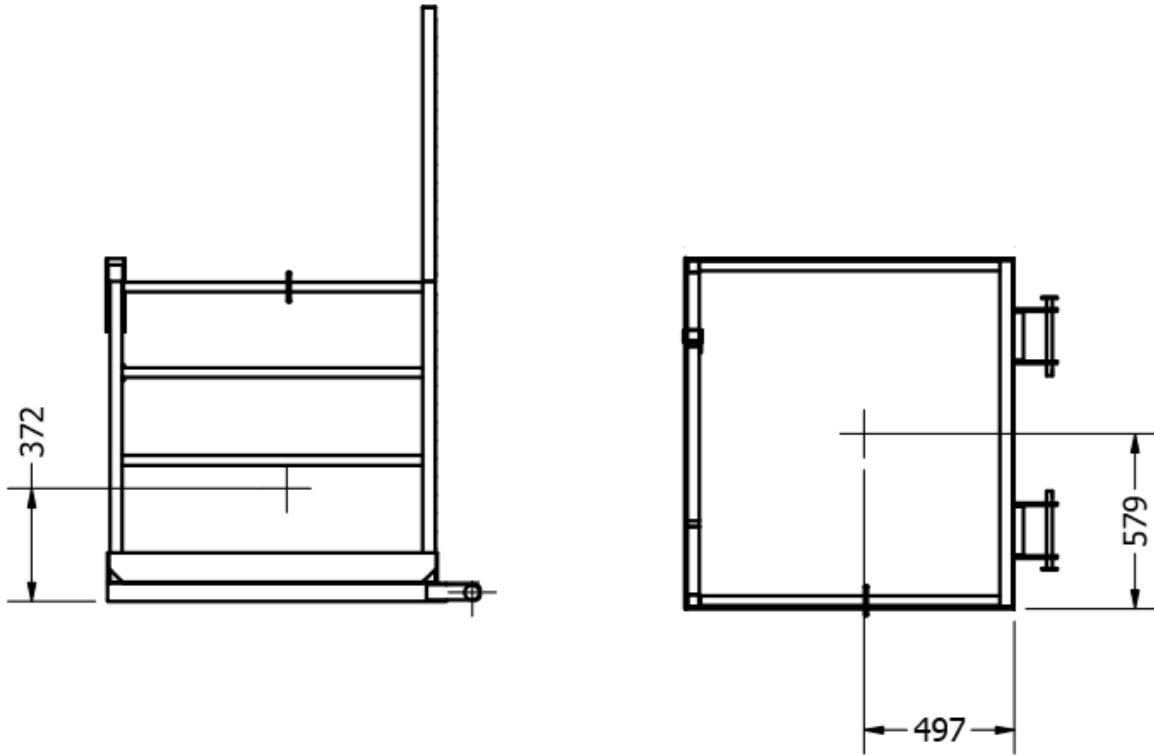
PARTS DIAGRAM / EXPLODED VIEW



| KEY | DESCRIPTION | QTY |
|-------------|----------------------------------------|------------|
| (1) | FRAME ASSEMBLY | x1 |
| (2) | FRONT RAILING | x1 |
| (3) | REAR RAILING | x1 |
| (4) | MESH SAFETY SCREEN | x1 |
| (5) | SIDE RAILING | x6 |
| (6) | CONNECTOR | x2 |
| (7) | DOOR LOCK | x1 |
| (8) | SAFETY RING | x1 |
| (9) | SAFETY PINS | x2 |
| (10) | BOLT M10x60 | x6 |
| (11) | FLAT WASHER Φ10 | x8 |
| (12) | NUT M10 | x8 |
| (13) | BOLT M10x90 | x2 |
| (14) | BOLT M8x75 | x1 |
| (15) | NUT M8 | x1 |
| (16) | BOLT M10x55 | x12 |



LOAD CAPACITY DIMENSIONS



The horizontal center of gravity is 579 mm (22.8-in.), the vertical center of gravity is 372 mm (14.65-in.), and the load center is 497 mm (19.57-in.).





*This concludes the **LWP10** Owner's Manual.*

If applicable to your product, make sure to tighten all nut-and-bolt combinations before use.

Enjoy!

DISCLAIMER

This equipment must be used with care by capable and competent individuals under supervision, if necessary.

The use of any equipment, including this one, involves the potential risk of injury. You accept and assume full responsibility for any and all injuries, damages (both economic and non-economic), and losses of any type, which may occur, and you fully and forever release and discharge Titan, its insurers, employees, officers, directors, associates, and agents from any and all claims, demands, damages, rights of action, or causes of action, present or future, whether the same be known or unknown, anticipated, or unanticipated, resulting from or arising out of the use of said equipment.

TITAN MAKES NO WARRANTY WHATSOEVER WITH RESPECT TO THE EQUIPMENT, INCLUDING ANY WARRANTY OF MERCHANTABILITY OR WARRANTY OF FITNESS FOR A PARTICULAR PURPOSE, WHETHER EXPRESS OR IMPLIED BY LAW, COURSE OF DEALING, COURSE OF PERFORMANCE, USAGE OF TRADE OR OTHERWISE. BUYER ASSUMES ALL LIABILITY IN USE OF THE EQUIPMENT.

NEED HELP?

CONTACT US FIRST.

1 (800) 605-8241

info@titandistributorsinc.com / www.palletforks.com

Business Hours: Monday–Friday • 8:00 a.m.–5:00 p.m. (CT)

