



**TITAN**  
*FITNESS*



## OWNER'S MANUAL

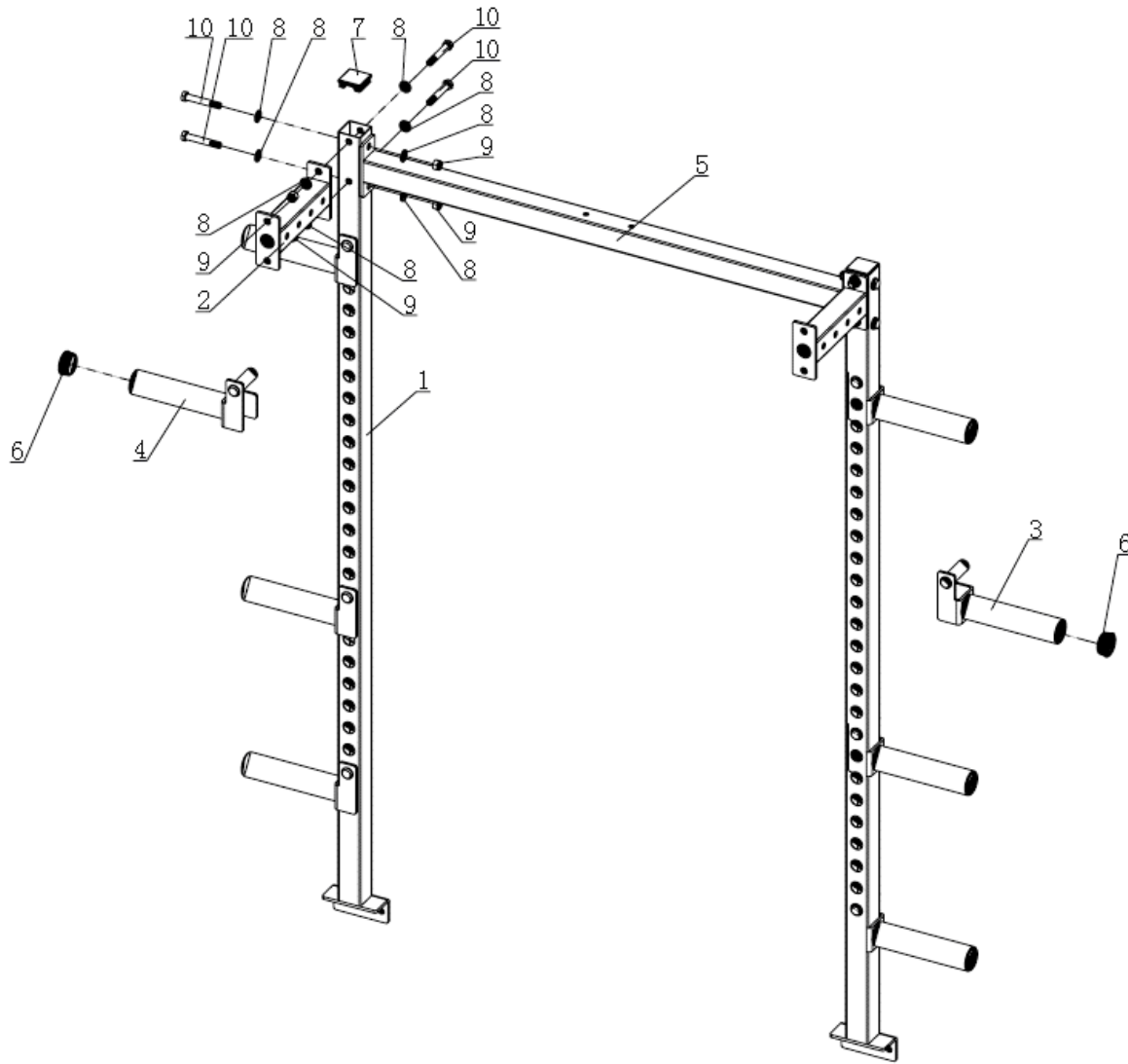
---

**MPN(s): T2EXT71, T2EXT83**

**SKU(s): 401209, 401210**

**UPC(s): 840009213137, 840009213144**

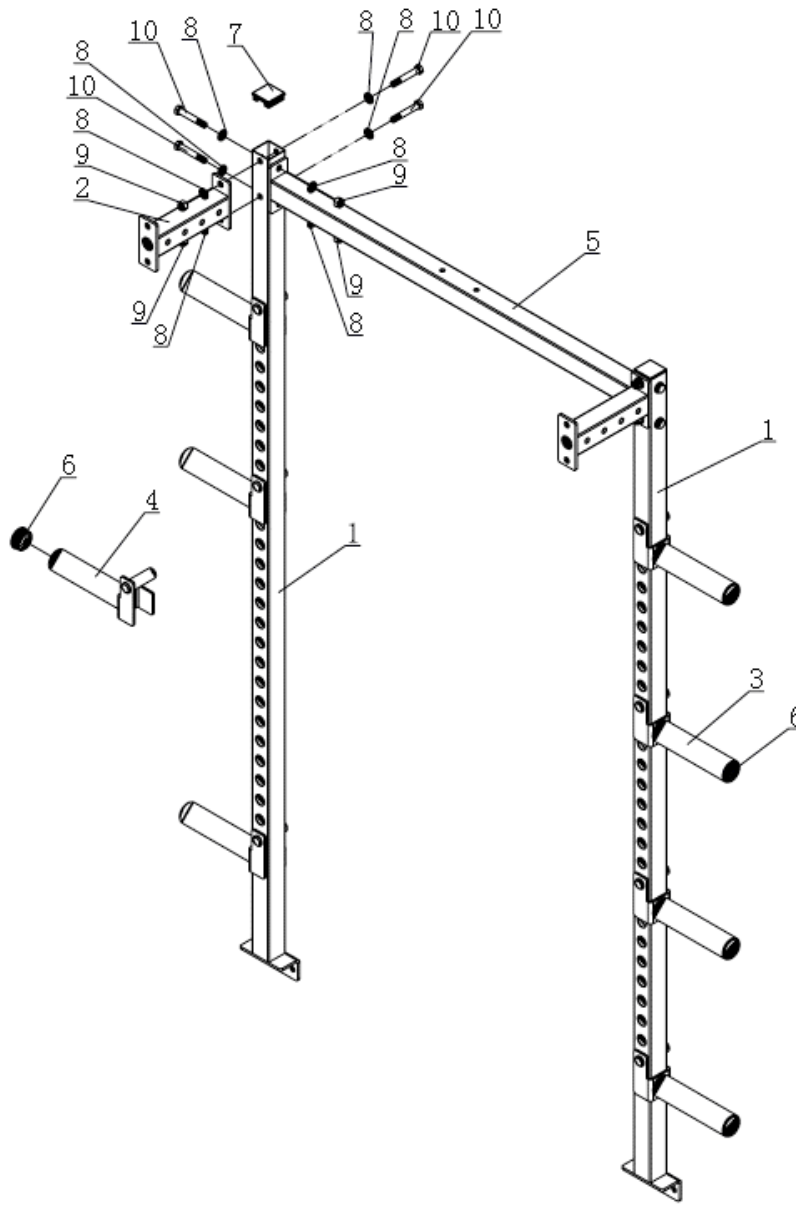
# PARTS DIAGRAM / EXPLODED VIEW (T2EXT71)



| KEY | BOX | DESCRIPTION               | QTY | KEY  | BOX | DESCRIPTION               | QT |
|-----|-----|---------------------------|-----|------|-----|---------------------------|----|
| (1) | 1   | Upright Frame             | 2   | (6)  | 1   | Φ48 End Cap               | 8  |
| (2) | 1   | Extended Connecting Frame | 2   | (7)  | 1   | End Cap □50*2             | 2  |
| (3) | 1   | Weight Plate Holder (L)   | 4   | (8)  | 1   | Flat Washer Φ13.5*Φ24*2.5 | 16 |
| (4) | 1   | Weight Plate Holder (R)   | 4   | (9)  | 1   | M12 Nut                   | 8  |
| (5) | 1   | Connecting Frame          | 1   | (10) | 1   | Hex Bolt M12*75           | 8  |



# PARTS DIAGRAM / EXPLODED VIEW (T2EXT83)



| KEY | BOX | DESCRIPTION               | QTY | KEY  | BOX | DESCRIPTION               | QT |
|-----|-----|---------------------------|-----|------|-----|---------------------------|----|
| (1) | 1   | Upright Frame             | 2   | (6)  | 1   | Φ48 End Cap               | 8  |
| (2) | 1   | Extended Connecting Frame | 2   | (7)  | 1   | End Cap 50*2              | 2  |
| (3) | 1   | Weight Plate Holder (L)   | 4   | (8)  | 1   | Flat Washer Φ13.5*Φ24*2.5 | 16 |
| (4) | 1   | Weight Plate Holder (R)   | 4   | (9)  | 1   | M12 Nut                   | 8  |
| (5) | 1   | Connecting Frame          | 1   | (10) | 1   | Hex Bolt M12*75           | 8  |



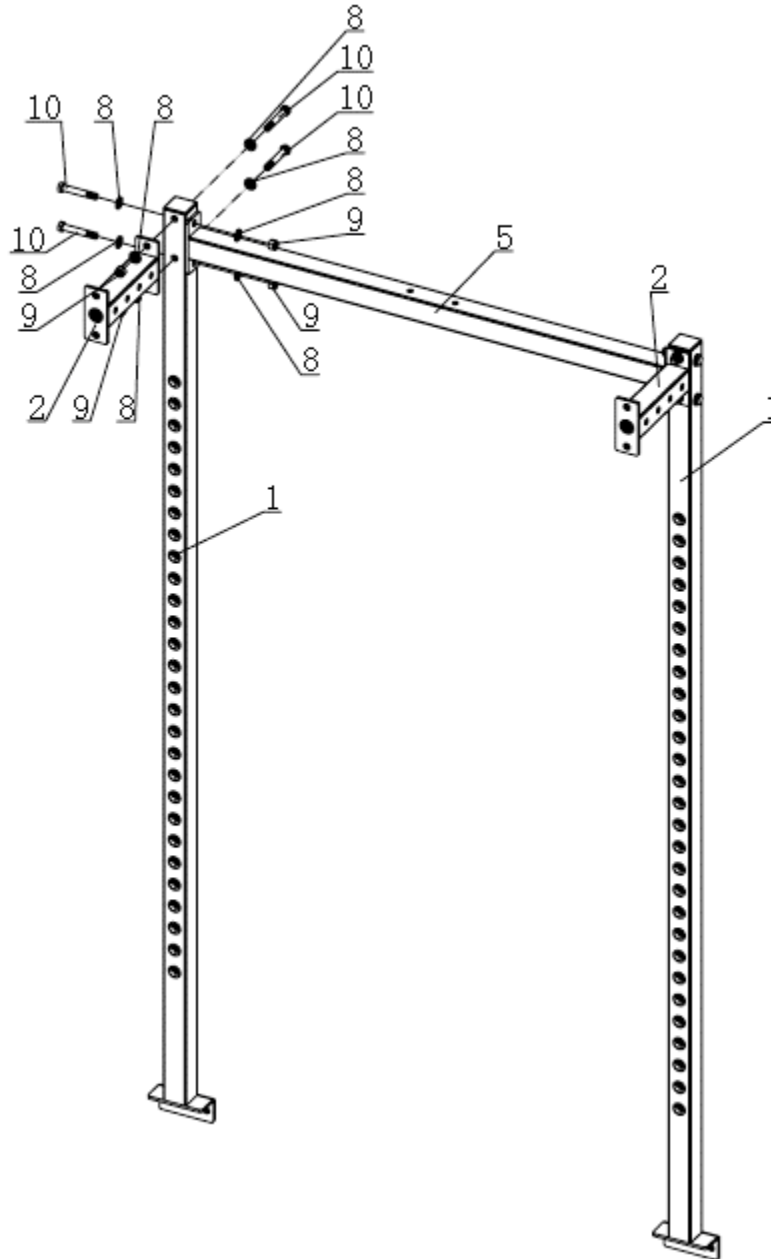
# ASSEMBLY INSTRUCTIONS

---

## Step 1

Install the Connecting Frame (5) on the Upright frame (1), using Flat Washer  $\Phi 13.5 \times \Phi 24 \times 2.5$ (8), M12 Nut (9) and Hex Bolt M12\*75(10).

Connect Extended Connecting Frame (2) and Upright Frame (1), using Flat Washer  $\Phi 13.5 \times \Phi 24 \times 2.5$ (8), M12 Nut (9) and Hex Bolt M12\*75(10).

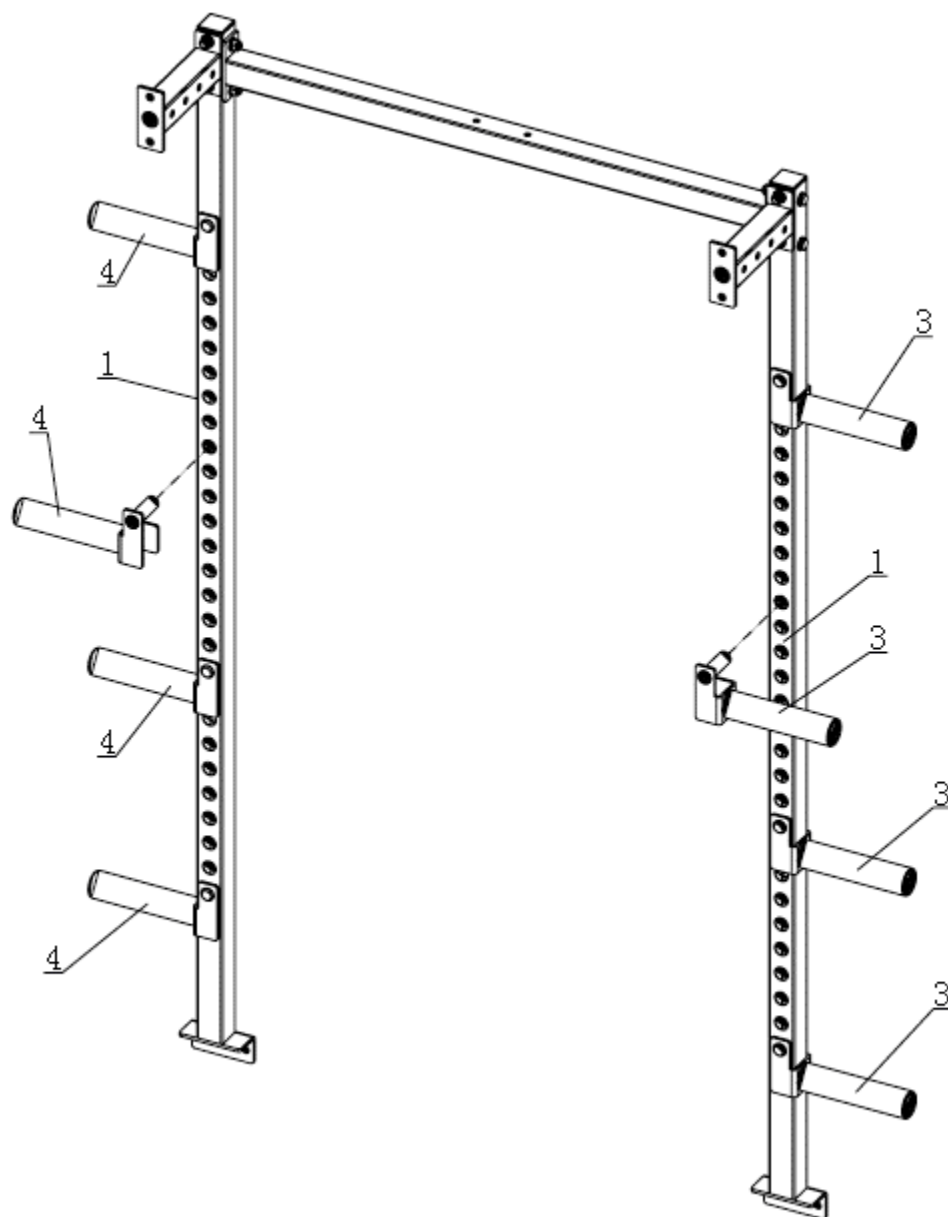


# ASSEMBLY INSTRUCTIONS

---

## Step 2

Insert the Weight Plate Holder L&R (3&4) into the hole on the Upright Frame (1).





*This concludes the T2EXT Owner's Manual.  
If applicable to your product, make sure to tighten  
all nut-and-bolt combinations before use.*

*Enjoy!*

### **DISCLAIMER**

This equipment must be used with care by capable and competent individuals under supervision, if necessary.

The use of any fitness equipment, including this one, involves the potential risk of injury. You accept and assume full responsibility for any and all injuries, damages (both economic and non-economic), and losses of any type, which may occur, and you fully and forever release and discharge Titan, its insurers, employees, officers, directors, associates, and agents from any and all claims, demands, damages, rights of action, or causes of action, present or future, whether the same be known or unknown, anticipated, or unanticipated, resulting from or arising out of the use of said equipment.

TITAN MAKES NO WARRANTY WHATSOEVER WITH RESPECT TO THE EQUIPMENT, INCLUDING ANY WARRANTY OF MERCHANTABILITY OR WARRANTY OF FITNESS FOR A PARTICULAR PURPOSE, WHETHER EXPRESS OR IMPLIED BY LAW, COURSE OF DEALING, COURSE OF PERFORMANCE, USAGE OF TRADE OR OTHERWISE. BUYER ASSUMES ALL LIABILITY IN USE OF THE EQUIPMENT.

**NEED HELP?**

**CONTACT US FIRST.**

**1 (800) 605-8241**

[info@titandistributorsinc.com](mailto:info@titandistributorsinc.com) / [www.titan.fitness](http://www.titan.fitness)

**Business Hours: Monday–Friday • 8:00 a.m.–5:00 p.m. (CT)**

