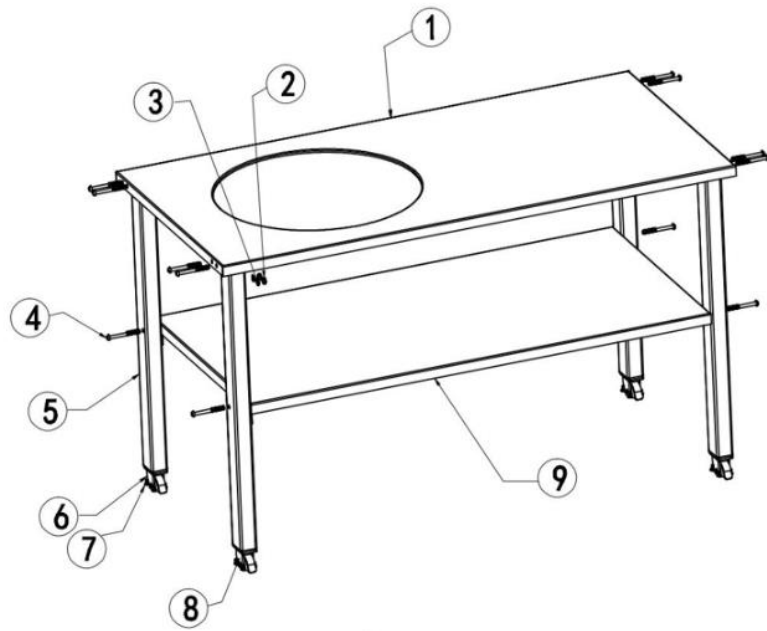


TITAN

GREAT OUTDOORS



OWNER'S MANUAL

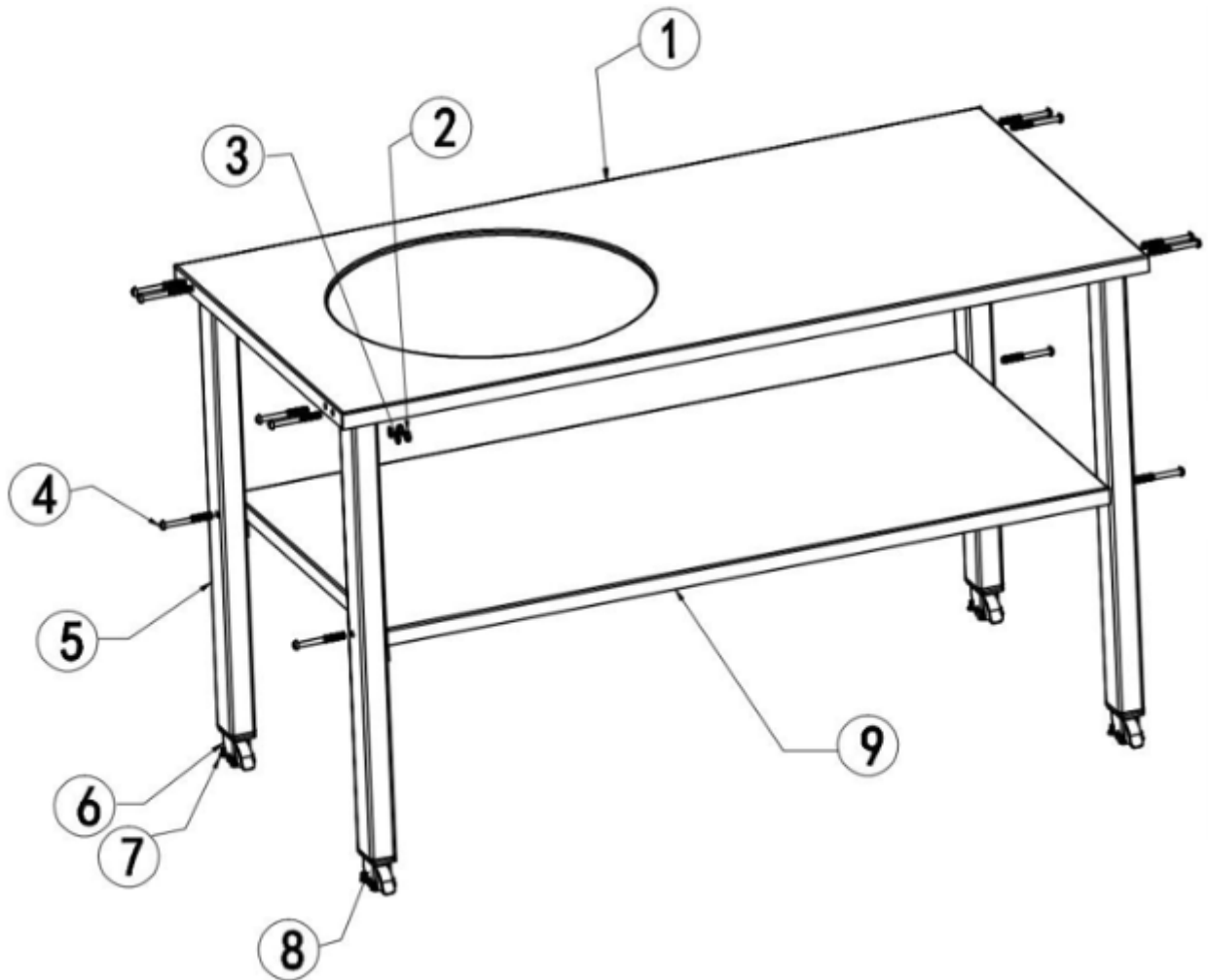
MPN(s): LBGETBL

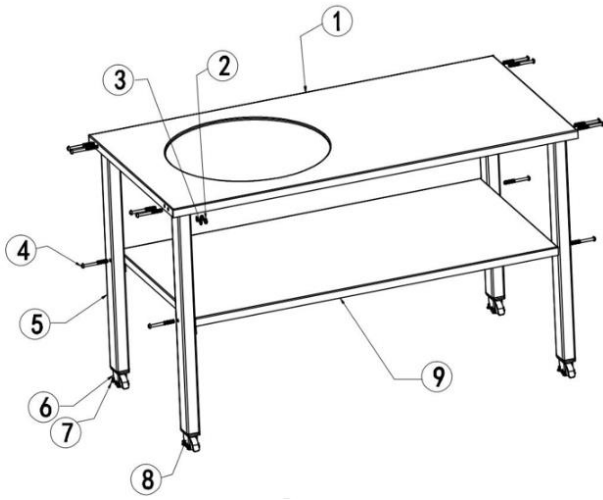
SKU(s): 899168

UPC(s): 840009204029

PARTS DIAGRAM / EXPLODED VIEW

PART NO.	DESCRIPTION	QTY						
1	Upper panel assembly	1						
2	M8 anti-slip nut	12						
3	M8 flat pad	12						
4	M8*90 Cross Flat Head Screw	12						
5	table leg assembly	4						
6	M6 spring washer	16						
7	M6*10 External Hexagon Screw	16						
8	Caster	4						
9	Lower panel assembly	1						





This concludes the LBGETBL Owner's Manual.

If applicable to your product, make sure to tighten all nut-and-bolt combinations before use.

Enjoy!

DISCLAIMER

This equipment must be used with care by capable and competent individuals under supervision, if necessary.

The use of any outdoors equipment, including this one, involves the potential risk of injury. You accept and assume full responsibility for any and all injuries, damages (both economic and non-economic), and losses of any type, which may occur, and you fully and forever release and discharge Titan, its insurers, employees, officers, directors, associates, and agents from any and all claims, demands, damages, rights of action, or causes of action, present or future, whether the same be known or unknown, anticipated, or unanticipated, resulting from or arising out of the use of said equipment.

TITAN MAKES NO WARRANTY WHATSOEVER WITH RESPECT TO THE EQUIPMENT, INCLUDING ANY WARRANTY OF MERCHANTABILITY OR WARRANTY OF FITNESS FOR A PARTICULAR PURPOSE, WHETHER EXPRESS OR IMPLIED BY LAW, COURSE OF DEALING, COURSE OF PERFORMANCE, USAGE OF TRADE OR OTHERWISE. BUYER ASSUMES ALL LIABILITY IN USE OF THE EQUIPMENT.

**NEED HELP?
CONTACT US FIRST.**

1 (800) 605-8241

info@titandistributorsinc.com / www.titangreatoutdoors.com

Business Hours: Monday–Friday • 8:00 a.m.–5:00 p.m. (CT)