



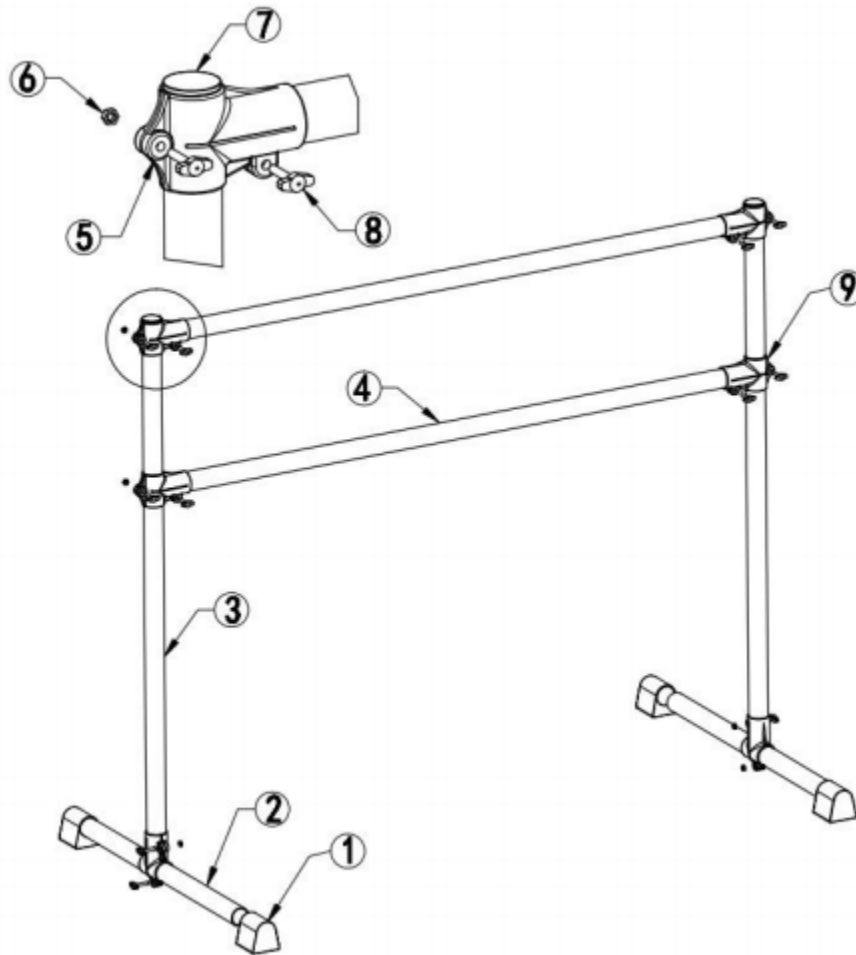
OWNER'S MANUAL

MPN(s): DBLBAR

SKU(s): 409037

UPC(s): 840009207297

PARTS DIAGRAM / EXPLODED VIEW



KEY	BOX	DESCRIPTION	QTY
(1)	1	RUBBER FEET	2
(2)	1	FOOT BARRE	2
(3)	1	UPRIGHT LEG	2
(4)	1	HORIZONTAL BARRE	2
(5)	1	LEFT CLAMP	3
(6)	1	OUTER HEX NUT	12
(7)	1	END CAP	2
(8)	1	PLASTIC SCREW WITH HANDEL	12
(9)	1	RIGHT CLAMP	3



ASSEMBLY INSTRUCTIONS

1. Loosen the clamp knob on the foot assembly and insert the upright leg into the clamp making sure that the upright leg is vertical and centered on the foot assembly. Tighten both clamp knobs. Repeat this for both foot assemblies.
2. Insert the horizontal barre(s) into the indexing clamps up to the line shown at each end of the barres. Note: you may need to back out the hex set screws to allow the barres to enter the clamps. Once you have the barres inserted into the clamps firmly tighten the hex set screws with the supplied tool.
3. For ease of storage, loosen the upper clamp knob at the bottom of each upright (on the foot assembly) and pivot the foot so that it is parallel with the horizontal barre.
4. Before each use make sure all clamps are firmly tightened.





This concludes the DBLBAR Owner's Manual.

If applicable to your product, make sure to tighten all nut-and-bolt combinations before use.

Enjoy!

DISCLAIMER

This equipment must be used with care by capable and competent individuals under supervision, if necessary.

The use of any fitness equipment, including this one, involves the potential risk of injury. You accept and assume full responsibility for any and all injuries, damages (both economic and non-economic), and losses of any type, which may occur, and you fully and forever release and discharge Titan, its insurers, employees, officers, directors, associates, and agents from any and all claims, demands, damages, rights of action, or causes of action, present or future, whether the same be known or unknown, anticipated, or unanticipated, resulting from or arising out of the use of said equipment.

TITAN MAKES NO WARRANTY WHATSOEVER WITH RESPECT TO THE EQUIPMENT, INCLUDING ANY WARRANTY OF MERCHANTABILITY OR WARRANTY OF FITNESS FOR A PARTICULAR PURPOSE, WHETHER EXPRESS OR IMPLIED BY LAW, COURSE OF DEALING, COURSE OF PERFORMANCE, USAGE OF TRADE OR OTHERWISE. BUYER ASSUMES ALL LIABILITY IN USE OF THE EQUIPMENT.

NEED HELP?

CONTACT US FIRST.

1 (800) 605-8241

info@titandistributorsinc.com / www.titan.fitness

Business Hours: Monday–Friday • 8:00 a.m.–5:00 p.m. (CT)

