



TITAN
FITNESS



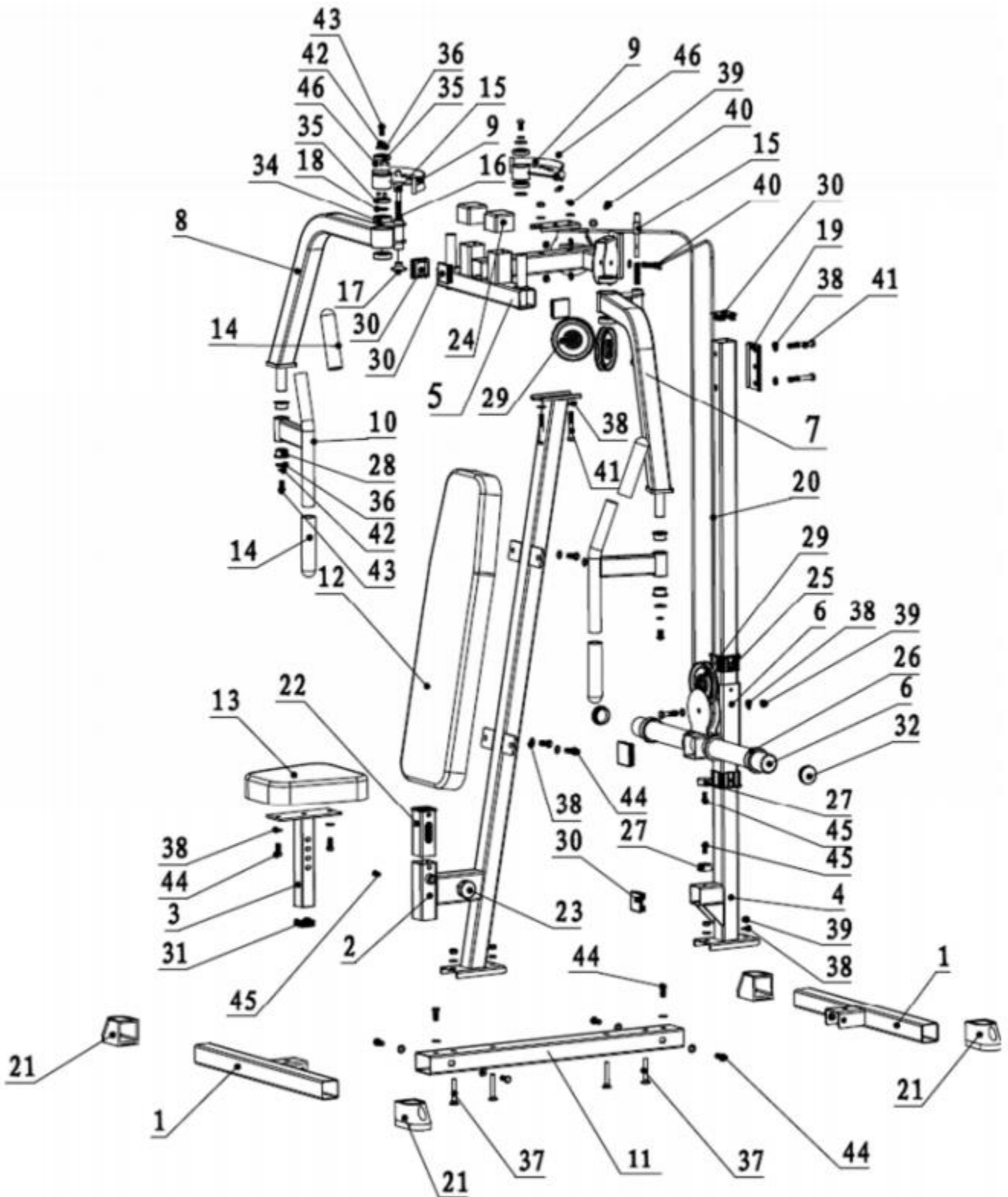
OWNER'S MANUAL

MPN(s): CBFLY.2

SKU(s): 400923.2

UPC(s): 840009207426

PARTS DIAGRAM / EXPLODED VIEW



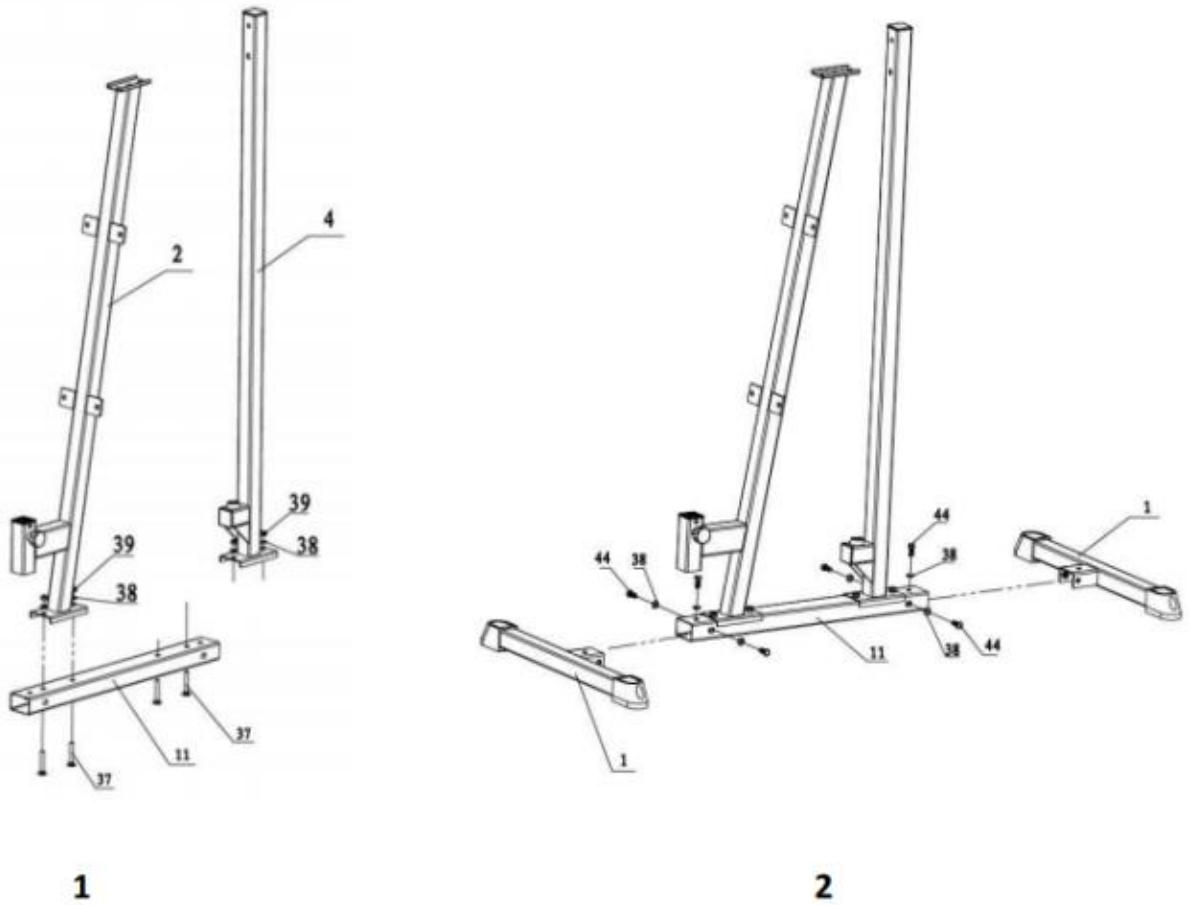
KEY	BOX	DESCRIPTION	QTY	KEY	BOX	DESCRIPTION	QTY
(1)	1	Base Frame	2	(24)	1	Pipe Sleeve □50	2
(2)	1	Back Cushion Frame	1	(25)	1	Hollow Sleeve	2
(3)	1	Seat Cushion Frame	1	(26)	1	Stop Collar	2
(4)	1	Upright Frame	1	(27)	1	Rubber Bumper Φ38*Φ7*15	2
(5)	1	Support Frame	1	(28)	1	Metal Bush Φ38*Φ32*Φ25.2*18	4
(6)	1	Sliding Frame	1	(29)	1	Pulley Φ114	3
(7)	1	Left Arm Frame	1	(30)	1	End Cap □50*2	5
(8)	1	Right Arm Frame	1	(31)	1	End Cap □40*2	1
(9)	1	Cam	2	(32)	1	End Cap Φ48*2	2
(10)	1	Handle Bar	2	(33)	1	End Cap □60*2	1
(11)	1	Connecting Frame	1	(34)	1	Bearing 6005ZZ	4
(12)	1	Back Cushion	1	(35)	1	Bearing 61905ZZ	4
(13)	1	Seat Cushion	1	(36)	1	Flat Washer Φ10.5*Φ30*2.5	4
(14)	1	Grip Φ31*3*160	4	(37)	1	Carriage Bolt M10*65	4
(15)	1	Shaft	2	(38)	1	Flat Washer Φ11*Φ20*2	28
(16)	1	Spring	2	(39)	1	Nut M10	9
(17)	1	Knob	2	(40)	1	Hex Bolt M10*45	3
(18)	1	Bearing Washer	2	(41)	1	Hex Bolt M10*70	4
(19)	1	Fixing Plate	2	(42)	1	Spring Washer Φ10	4
(20)	1	Cable	1	(43)	1	Hex Bolt M10*20	4
(21)	1	F50 horseshoe Sleeve	4	(44)	1	Hex Bolt M10*25	12
(22)	1	Hollow Sleeve	1	(45)	1	Hex Bolt M8*20	3
(23)	1	Lock Pin	1	(46)	1	Screw M8*8	10



ASSEMBLY INSTRUCTIONS

Step 1

Connect Back Cushion Frame (2), Connecting Frame (11) and Upright Frame (4), using Flat Washer (38), Nut M10(39) and Carriage Bolt M10*65 (37).



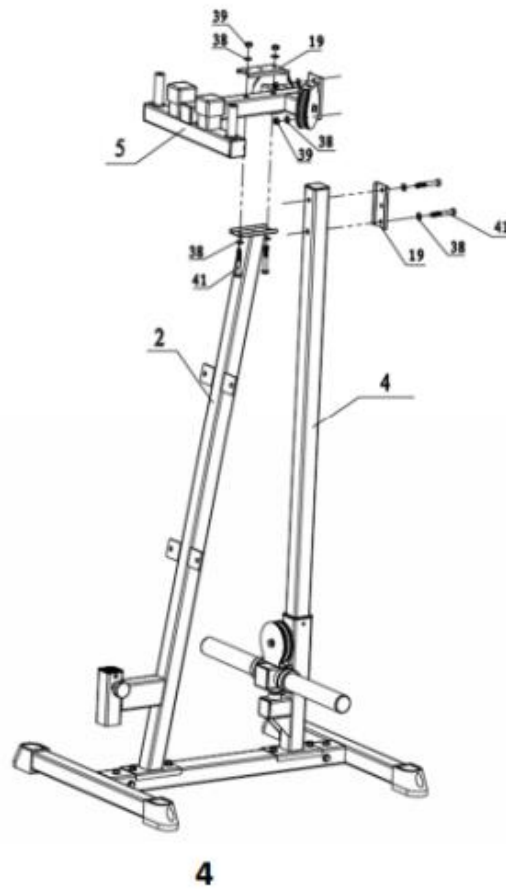
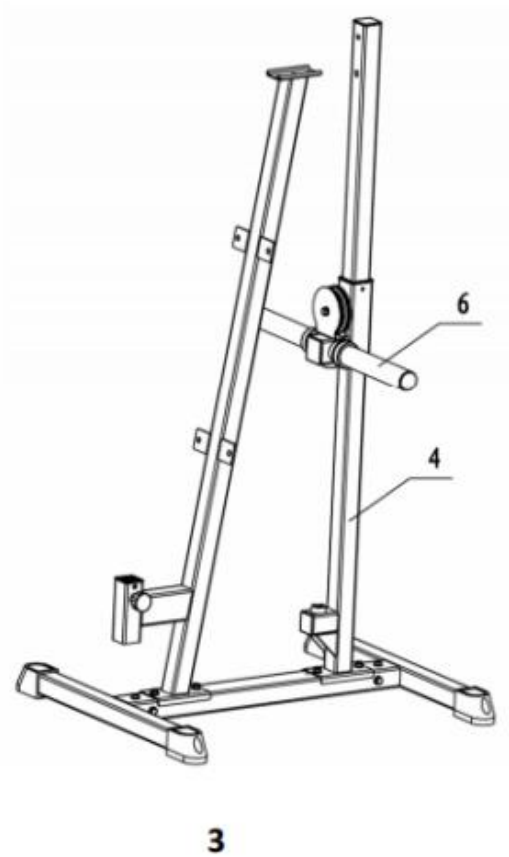
Step 2

Fix Base Frame (1) on Connecting Frame (11), using Flat Washer (38) and Hex Bolt M10*25(44).



Step 3

Plug Sliding Frame (6) into Upright Frame (4).



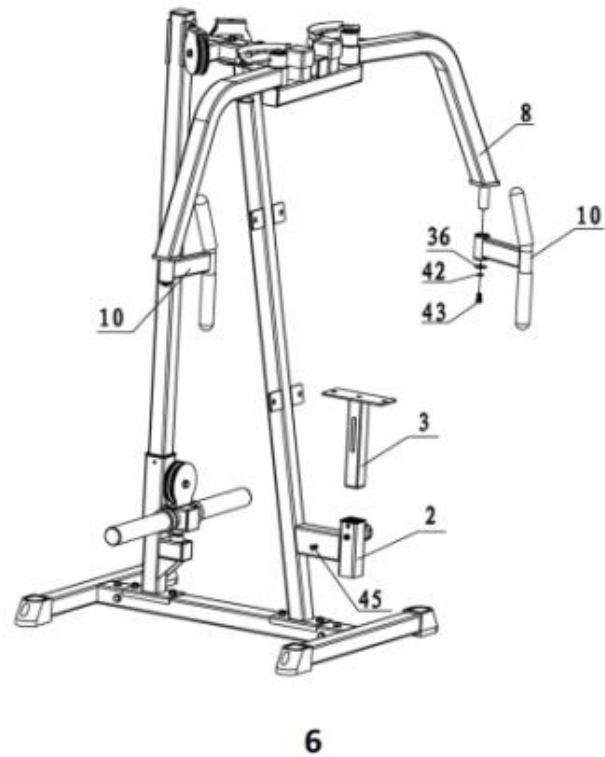
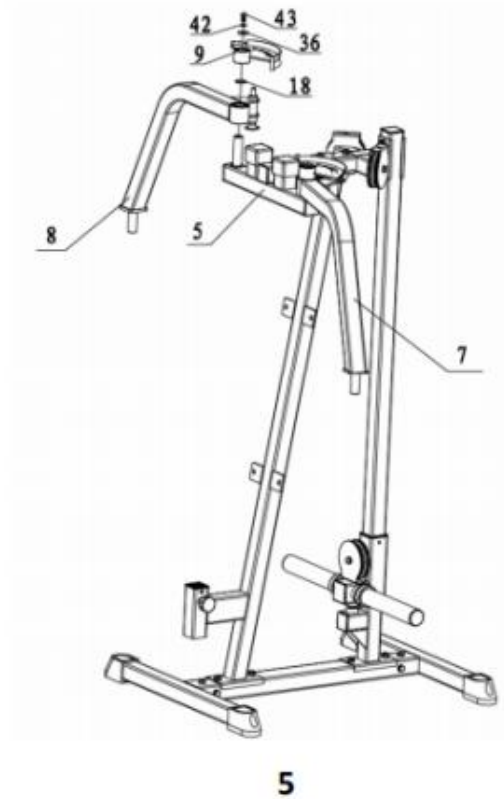
Step 4

Connect Back Cushion Frame (2), Support Frame (5) and Upright Frame (4), using Fixing Plate (19), Flat Washer (38), Nut M10(39) and Hex Bolt M10*70(41).



Step 5

Fix Left & Right Arm Frame (7&8), Bearing Washer (18) and Cam (9) on Support Frame (5), using Flat Washer (36), Spring Washer (42) and Hex Bolt M10*20(43).



Step 6

Fix Handle Bar (10) on Left & Right Arm Frame (7&8), using Flat Washer (36), Spring Washer (42) and Hex Bolt M10*20(43).

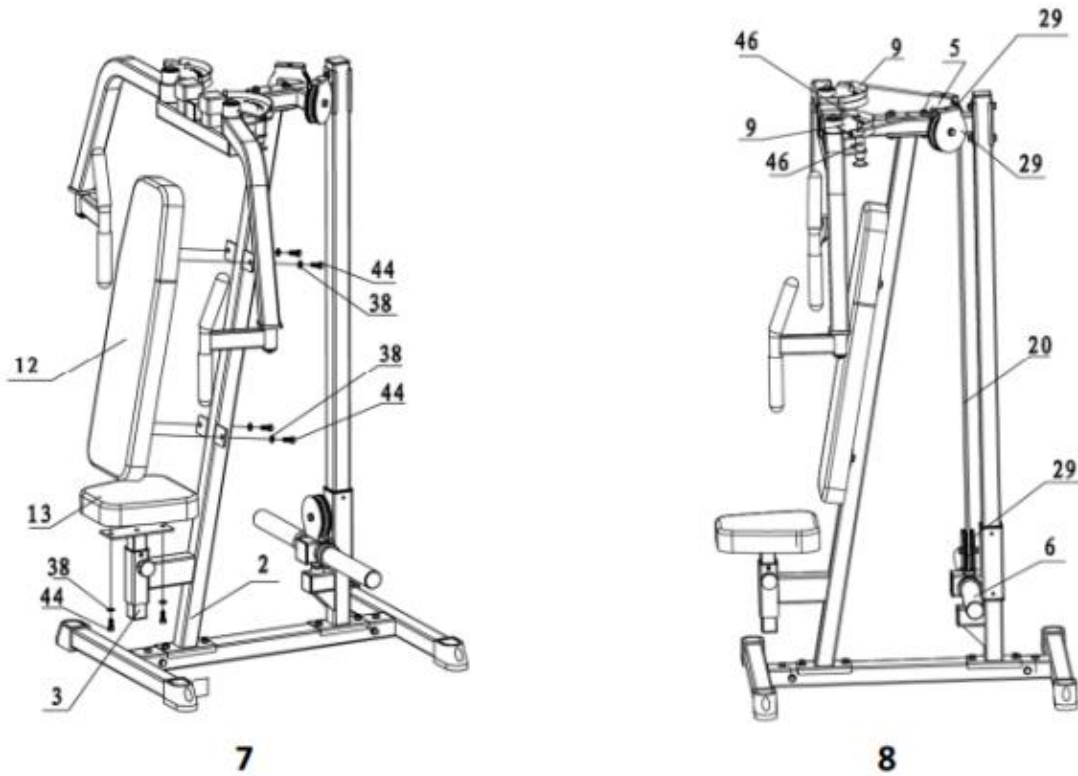
Loose the Hex Bolt M8*20(45), insert Seat Cushion Frame (3) into Back Cushion Frame (2), then tighten the hex bolt M8*20(45)



Step 7

Fix Seat Cushion (11) on Seat Cushion Frame (3), using Hex Bolt M10*25 (26) and Flat Washer (24).

Fix Back Cushion (6) on Main Frame (1), using Hex Bolt M10*25 (26) and Flat Washer (24).



Step 8

Loose the Screw M8*8(46) on Cam (9), insert one side of Cable (20) into Cam (9), then tighten the Screw M8*8(46).

Through another side of cable (20) into pulley (29) on Support frame (5), via the pulley (29) on Sliding frame (6) and another side of pulley (29) on Support Frame (5). adjusting the cable, and fix by Screw M8*8(46).



This concludes the CBFLY Owner's Manual.

If applicable to your product, make sure to tighten all nut-and-bolt combinations before use.

Enjoy!

DISCLAIMER

This equipment must be used with care by capable and competent individuals under supervision, if necessary.

The use of any fitness equipment, including this one, involves the potential risk of injury. You accept and assume full responsibility for any and all injuries, damages (both economic and non-economic), and losses of any type, which may occur, and you fully and forever release and discharge Titan, its insurers, employees, officers, directors, associates, and agents from any and all claims, demands, damages, rights of action, or causes of action, present or future, whether the same be known or unknown, anticipated, or unanticipated, resulting from or arising out of the use of said equipment.

TITAN MAKES NO WARRANTY WHATSOEVER WITH RESPECT TO THE EQUIPMENT, INCLUDING ANY WARRANTY OF MERCHANTABILITY OR WARRANTY OF FITNESS FOR A PARTICULAR PURPOSE, WHETHER EXPRESS OR IMPLIED BY LAW, COURSE OF DEALING, COURSE OF PERFORMANCE, USAGE OF TRADE OR OTHERWISE. BUYER ASSUMES ALL LIABILITY IN USE OF THE EQUIPMENT.

NEED HELP?

CONTACT US FIRST.

1 (800) 605-8241

info@titandistributorsinc.com / www.titan.fitness

Business Hours: Monday–Friday • 8:00 a.m.–5:00 p.m. (CT)

