

# TITAN

## GREAT OUTDOORS



### OWNER'S MANUAL

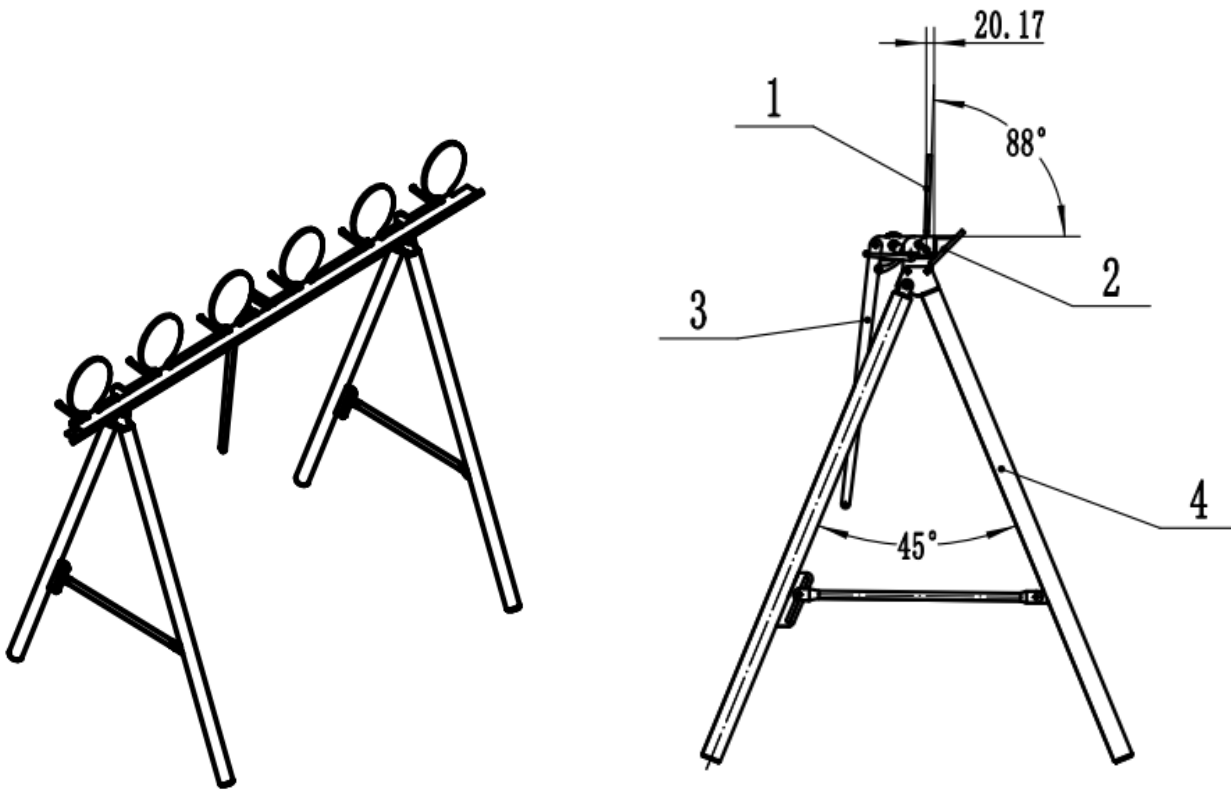
---

**MPN(s):** PLTRTSYM

**SKU(s):** 899955

**UPC(s):** 719318387863

# PARTS DIAGRAM / EXPLODED VIEW



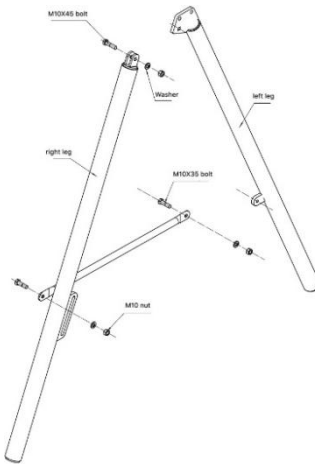
KEY	BOX	DESCRIPTION	QTY
(1)	1	SHOOTING TARGET	6
(2)	1	SHOOTING TARGET BRACKET	1
(3)	1	RESET MECHANISM	1
(4)	1	SUPPORT LEG	2



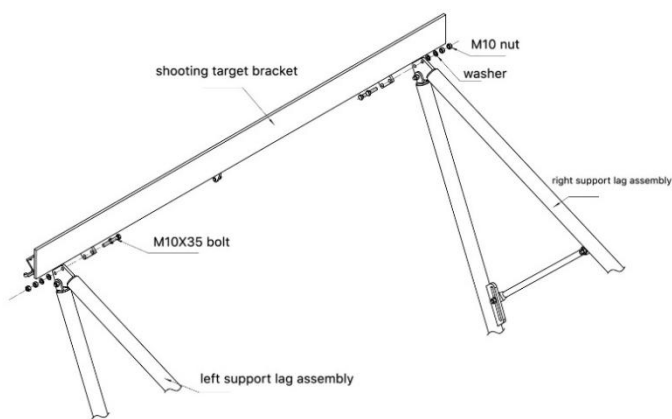
# ASSEMBLY INSTRUCTIONS

---

1. Connect the left and right support legs with a connecting bar (with 2 pieces of M10x35 bolt, nuts and washers).

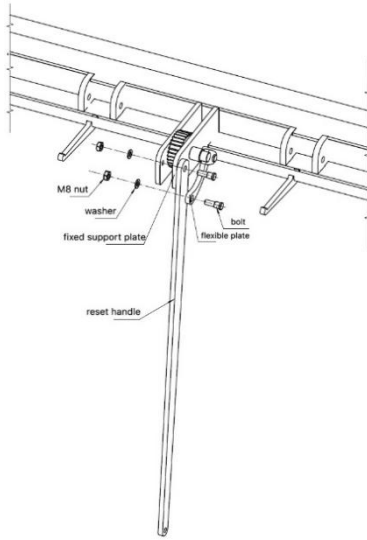


2. Connect the two sets of support legs assembly and one set of shooting target bracket with M10x15 bolts, nuts and washers).

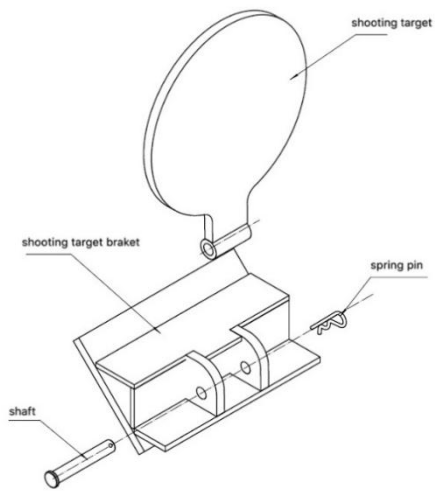


3. Install the reset handle to the shooting target bracket, with one hole connecting to the fixed supporting plate, the other hole connecting to the flexible plate.





4. Install the shooting targets to the bracket on each installation holes with shafts, then insert the spring pins to fix the plates.





*This concludes the PLTRTSYM Owner's Manual.*

*If applicable to your product, make sure to tighten all nut-and-bolt combinations before use.*

*Enjoy!*

### **DISCLAIMER**

This equipment must be used with care by capable and competent individuals under supervision, if necessary.

The use of any equipment, including this one, involves the potential risk of injury. You accept and assume full responsibility for any and all injuries, damages (both economic and non-economic), and losses of any type, which may occur, and you fully and forever release and discharge Titan, its insurers, employees, officers, directors, associates, and agents from any and all claims, demands, damages, rights of action, or causes of action, present or future, whether the same be known or unknown, anticipated, or unanticipated, resulting from or arising out of the use of said equipment.

TITAN MAKES NO WARRANTY WHATSOEVER WITH RESPECT TO THE EQUIPMENT, INCLUDING ANY WARRANTY OF MERCHANTABILITY OR WARRANTY OF FITNESS FOR A PARTICULAR PURPOSE, WHETHER EXPRESS OR IMPLIED BY LAW, COURSE OF DEALING, COURSE OF PERFORMANCE, USAGE OF TRADE OR OTHERWISE. BUYER ASSUMES ALL LIABILITY IN USE OF THE EQUIPMENT.

**NEED HELP?**

**CONTACT US FIRST.**

**1 (800) 605-8241**

[info@titandistributorsinc.com](mailto:info@titandistributorsinc.com) / [www.titangreatoutdoors.com](http://www.titangreatoutdoors.com)

**Business Hours: Monday–Friday • 8:00 a.m.–5:00 p.m. (CT)**

