

# TITAN

## GREAT OUTDOORS



### OWNER'S MANUAL

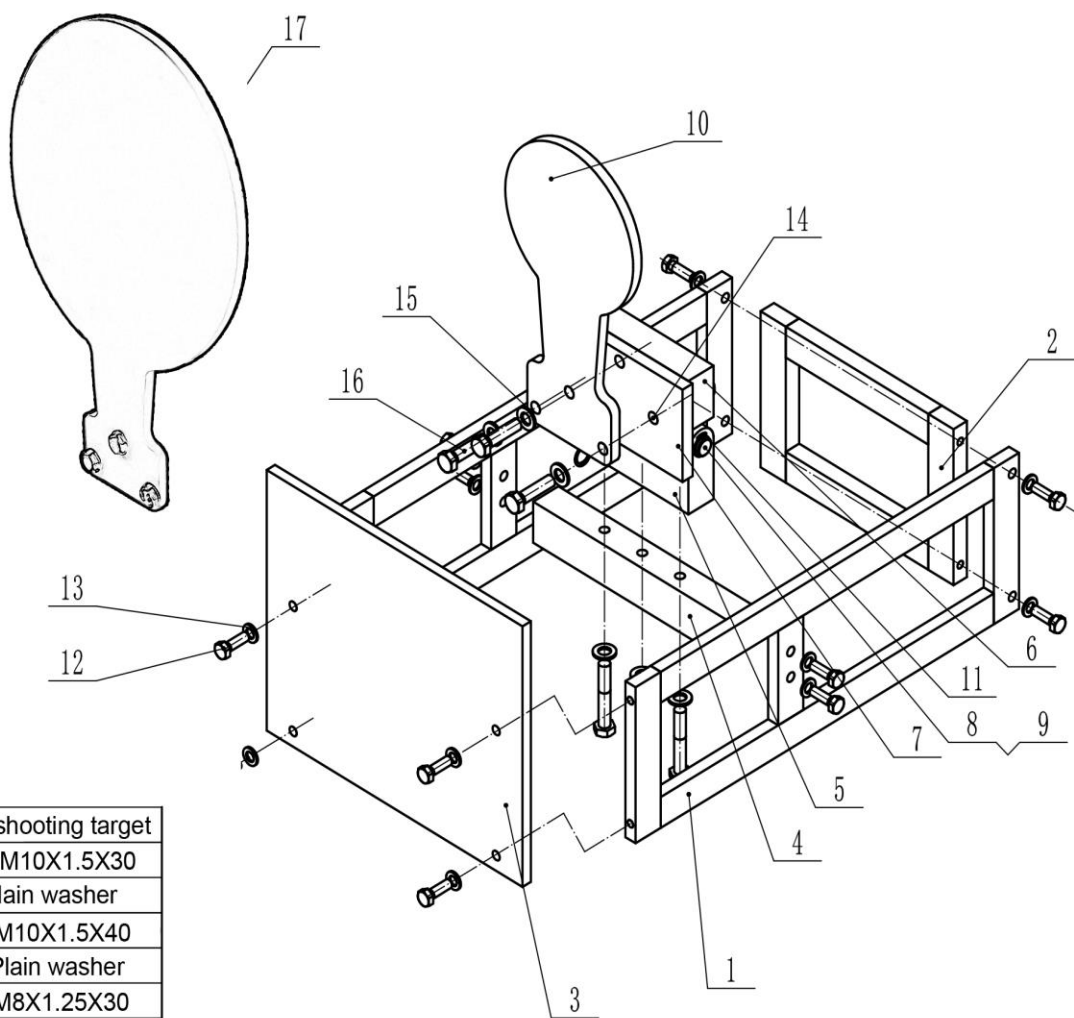
---

**MPN(s):** ARTGT

**SKU(s):** 899218

**UPC(s):** 840009203114

# PARTS DIAGRAM / EXPLODED VIEW



17	20190129-11-00	11"shooting target
16	GB/T 5786-2000	M10X1.5X30
15	GB/T 95-2002	Plain washer
14	GB/T 5786-2000	M10X1.5X40
13	GB/T 95-2002	Plain washer
12	GB/T 5786-2000	M8X1.25X30
11	GB/T 894.1-1986	Circlips for shaft--A
10	20190129-10-00	6" shooting target
9	20190129-09-00	Pin
8	20190129-08-00	Return spring
7	20190129-07-00	Back plate
6	20190129-06-00	target support
5	20190129-05-00	support
4	20190129-04-00	support bar
3	20190129-03-00	front panel
2	20190129-02-00	back panel
1	20190129-01-00	side frame



*This concludes the ARTGT Owner's Manual.*

*If applicable to your product, make sure to tighten all nut-and-bolt combinations before use.*

*Enjoy!*

### **DISCLAIMER**

This equipment must be used with care by capable and competent individuals under supervision, if necessary.

The use of any outdoors equipment, including this one, involves the potential risk of injury. You accept and assume full responsibility for any and all injuries, damages (both economic and non-economic), and losses of any type, which may occur, and you fully and forever release and discharge Titan, its insurers, employees, officers, directors, associates, and agents from any and all claims, demands, damages, rights of action, or causes of action, present or future, whether the same be known or unknown, anticipated, or unanticipated, resulting from or arising out of the use of said equipment.

TITAN MAKES NO WARRANTY WHATSOEVER WITH RESPECT TO THE EQUIPMENT, INCLUDING ANY WARRANTY OF MERCHANTABILITY OR WARRANTY OF FITNESS FOR A PARTICULAR PURPOSE, WHETHER EXPRESS OR IMPLIED BY LAW, COURSE OF DEALING, COURSE OF PERFORMANCE, USAGE OF TRADE OR OTHERWISE. BUYER ASSUMES ALL LIABILITY IN USE OF THE EQUIPMENT.

**NEED HELP?  
CONTACT US FIRST.**

**1 (800) 605-8241**

**[info@titandistributorsinc.com](mailto:info@titandistributorsinc.com) / [www.titangreatoutdoors.com](http://www.titangreatoutdoors.com)**

**Business Hours: Monday–Friday • 8:00 a.m.–5:00 p.m. (CT)**