

# TITAN

## GREAT OUTDOORS



### OWNER'S MANUAL

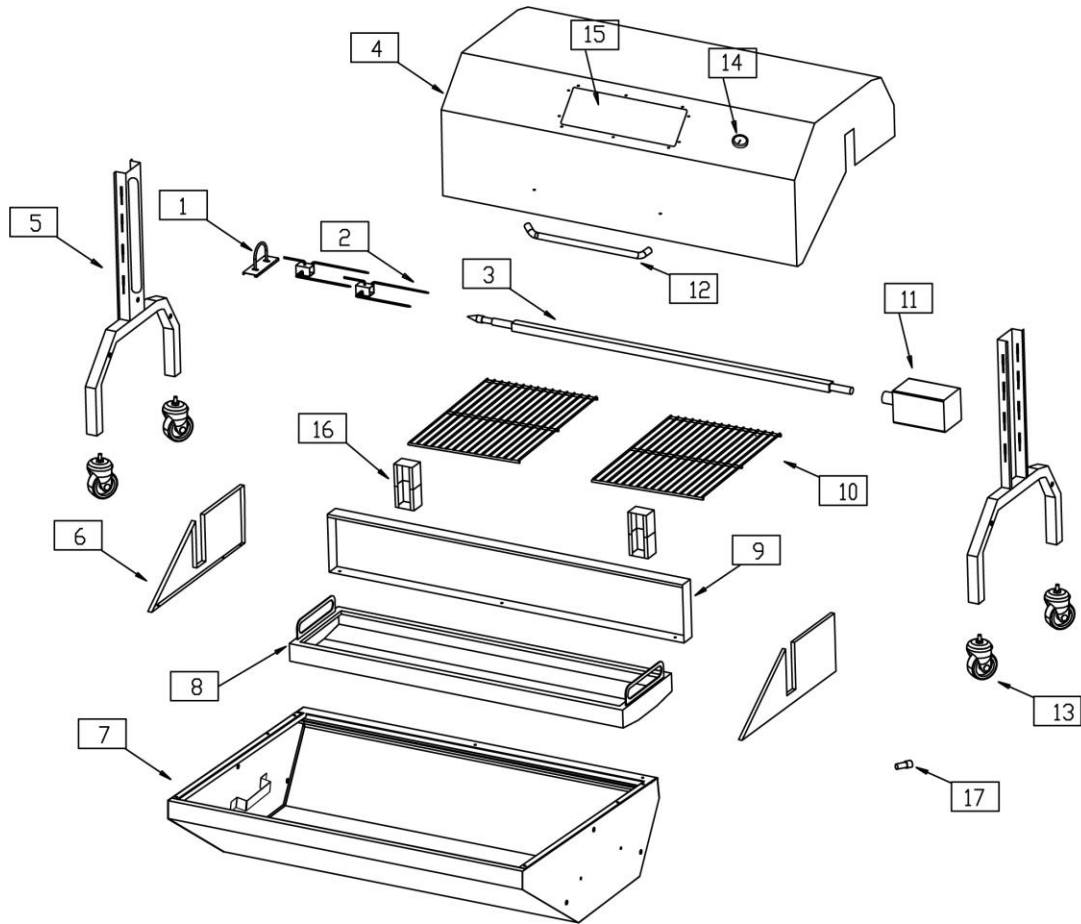
---

**MPN(s): 35SPROWHv2**

**SKU(s): 899069**

**UPC(s): 840009204777**

# PARTS DIAGRAM / EXPLODED VIEW



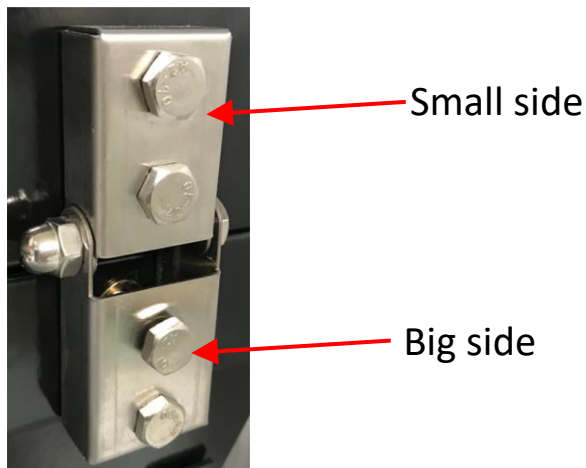
KEY	BOX	DESCRIPTION	QTY
(1)		Spine hook	1
(2)		Fork	2
(3)		Spit rod	1
(4)		Hood	1
(5)		Legs	2
(6)		Side panel (pre-assembled)	2
(7)		Trough	1
(8)		Charcoal tray	1
(9)		Back panel (pre-assembled)	1
(10)		Cooking grill	2
(11)		Motor	1
(12)		Hood handle	1
(13)		Locking caster	4
(14)		Temperature Gauge	1
(15)		Glass window	1
(16)		Hood hinge	2
(17)		Bolt (6pcs for legs, 8pcs for hood hinges)	14



# ASSEMBLY INSTRUCTIONS

---

1. Screw LOCKING CASTERS (13) into the bottom of the LEGS (5).
2. Bolt the LEGS (5) onto the TROUGH (7) using the provided hardware and tool.
3. Set the CHARCOAL TRAY (8) into the slots inside of the TROUGH (7).
4. Place the COOKING GRILLS (10) in place on top of the TROUGH (7).
5. Install the HOOD HANDLE (12), GLASS WINDOW (15) and TEMPERATURE GAUGE (14) on the hood.
6. Bolt the HOOD HINGES (16) on the trough, bolt the HOOD (4) with the hood hinges. Ensure the small side of the hinge is on the hood, and the big side of the hinge is on the trough, see below picture.



7. Slide the MOTOR (11) onto the upright of the leg.
8. Slide the FORK (2), SPINE HOOK (1) etc. accessories onto the SPIT ROD (3) and turn screws to tighten in place.
9. Install the SPIT ROD (3). Ensure the notch is locked onto the motor and slid all the way back.
10. Adjust the SPIT ROD (3) height using removable pins.



*This concludes the 35SPROWHv2 Owner's  
Manual.*

*If applicable to your product, make sure to  
tighten all nut-and-bolt combinations before use.*

*Enjoy!*

### **DISCLAIMER**

This equipment must be used with care by capable and competent individuals under supervision, if necessary.

The use of any equipment, including this one, involves the potential risk of injury. You accept and assume full responsibility for any and all injuries, damages (both economic and non-economic), and losses of any type, which may occur, and you fully and forever release and discharge Titan, its insurers, employees, officers, directors, associates, and agents from any and all claims, demands, damages, rights of action, or causes of action, present or future, whether the same be known or unknown, anticipated, or unanticipated, resulting from or arising out of the use of said equipment.

TITAN MAKES NO WARRANTY WHATSOEVER WITH RESPECT TO THE EQUIPMENT, INCLUDING ANY WARRANTY OF MERCHANTABILITY OR WARRANTY OF FITNESS FOR A PARTICULAR PURPOSE, WHETHER EXPRESS OR IMPLIED BY LAW, COURSE OF DEALING, COURSE OF PERFORMANCE, USAGE OF TRADE OR OTHERWISE. BUYER ASSUMES ALL LIABILITY IN USE OF THE EQUIPMENT.

**NEED HELP?**

**CONTACT US FIRST.**

**1 (800) 605-8241**

[info@titandistributorsinc.com](mailto:info@titandistributorsinc.com) / [www.titangreatoutdoors.com](http://www.titangreatoutdoors.com)



**Business Hours: Monday–Friday • 8:00 a.m.–5:00 p.m. (CT)**

