

TITAN

GREAT OUTDOORS



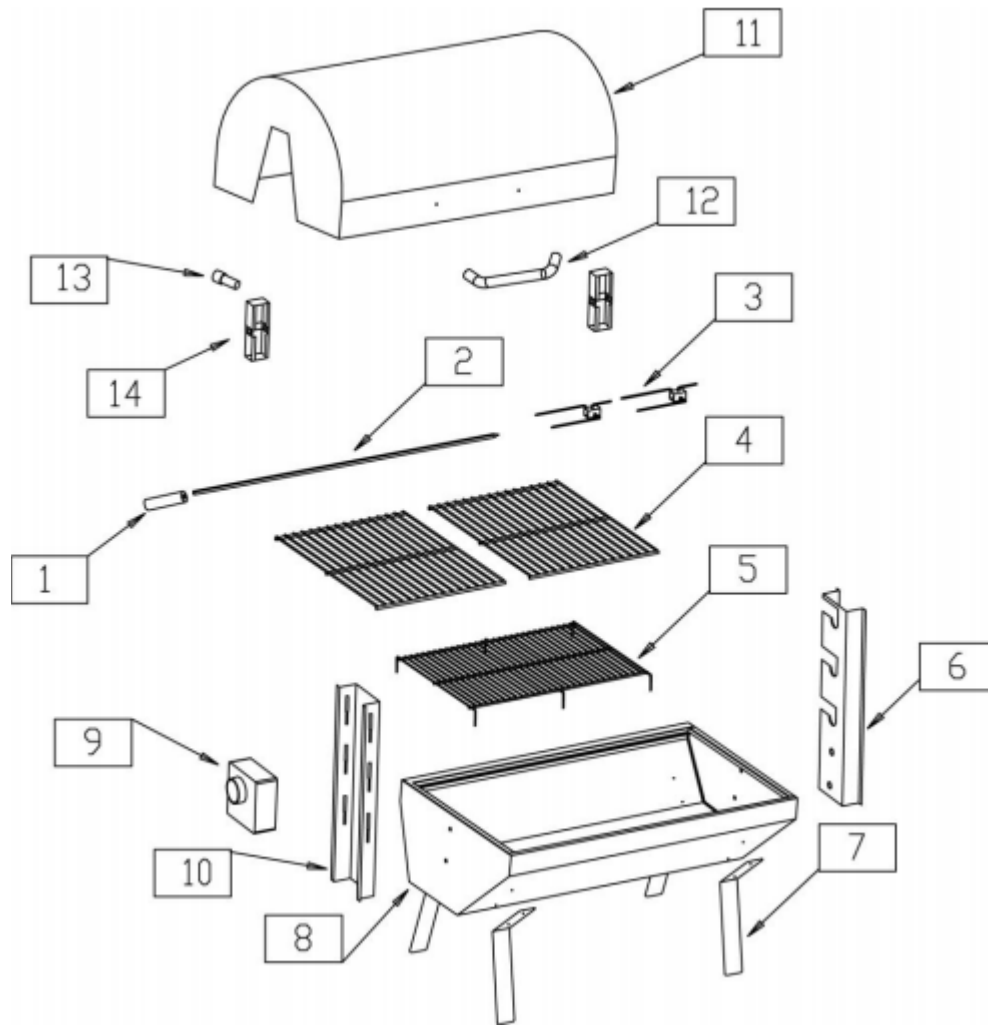
OWNER'S MANUAL

MPN(s): CKROASTWH

SKU(s): 899224

UPC(s): 840009206009

PARTS DIAGRAM / EXPLODED VIEW

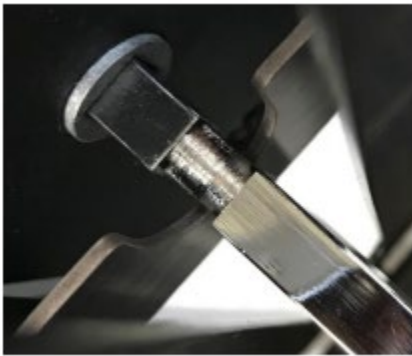


KEY	DESCRIPTION	QTY	KEY	DESCRIPTION	QTY
(1)	SPIT ROD HANDLE	1	(8)	STOVE TUB	1
(2)	SPIT ROD	1	(9)	MOTOR	1
(3)	FORK	2	(10)	BRACKET (L)	1
(4)	COOKING GRILL	2	(11)	HOOD	1
(5)	CHARCOAL GRATE	1	(12)	HANDLE FOR HOOD	1
(6)	BRACKET (R)	1	(13)	SCREW BOLTS FOR HOOD HINGES	8
(7)	LEGS (SCREW BOLTS PRE-ASSEMBLED ON TUB)	4	(14)	HOOD HINGE	2

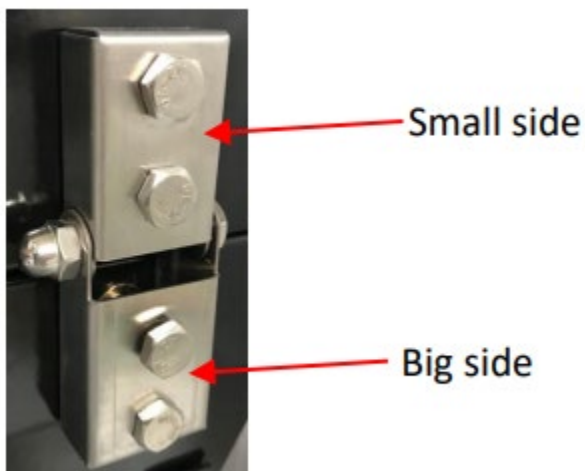


ASSEMBLY INSTRUCTIONS

1. Bolt 4pcs Legs (7) on the Stove tub (8).
2. Bolt two Brackets (6) & (10) on the Stove tub (8).
3. Put Charcoal grate (5) into the tub. 4. Put Cooking grill (4) on the top of the tub.
4. Screw Spit rod handle (1) on the Spit rod (2).
5. Put 2pcs Forks (3) on the Spit rod (2).
6. Slide the Motor (9) onto the left Bracket (L) (10).
7. Install the Spit rod (2), ensure the notch on the rod sits on the bracket (see below picture).



8. Screw the Handle for hood (12) on the Hood (11).
9. Bolt the Hood hinges (14) on the stove tub, bolt the Hood (11) with the Hood hinges (14). Ensure the small side of the hinge is on the hood, and the big side of the hinge is on the tub, see below picture.



SAFETY INFORMATION

IMPORTANT SAFETY INFORMATION

- It is the sole responsibility of the purchaser of Titan Distributors products to instruct all individuals, whether they are the end user or supervising personnel on the proper usage of the equipment.
- Use outdoors only. Read safety information before using this appliance.
- Accessible parts may be very hot. Keep young children and pets away.
- Do not move appliance during use.
- Use caution when handling or transporting this product.
- Metal edges can produce a hazard. Use appropriate gloves when lifting or handling.
- Use protective gloves when handling hot components. Any modifications of the appliance may be dangerous.

ELECTRICAL CAUTION

- If any accessory is used on this appliance that requires an external power source when installed, the accessory must be electrically grounded in accordance with local codes.
- Do not cut or remove the grounding prong from the plug.
- Keep the electrical supply cord away from any heated surface.

PREPARING THE SPIT

- Select the appropriate accessories for holding the cut of meat you will be cooking.

- Try to determine the center of weight for the cut of meat, and use this point to insert the spit rod.
- Position the meat in the center of the horizontal length of the spit rod and ensure it is well secured.
- Ensure that the spit supports allow for the rod to be as level as possible.
- Place the spit with the meat into the rod spit supports. Make sure that the motor output is aligned properly with the slot in the rod.
- Ensure that meat is balanced to ensure maximum efficiency of motor.

STARTING CHARCOAL FIRE

- With the spit and meat in place, begin by placing a small mound of lump charcoal, or charcoal briquettes in the bottom and center of the charcoal tray.
- The mounds of charcoal can now be lit using matches and starter fluid. Allow mounds to fully ignite.
- With a heat resistant tool, start to spread the ignited mounds of charcoal outwards from the center of the tray to create an evenly distributed heat source.
- Add additional charcoal over the length of the tray to increase the temperature of the heat source.
- Charcoal level will have to be monitored to maintain desired heat level. Add charcoal as required.





*This concludes the CKROASTWH Owner's Manual.
If applicable to your product, make sure to tighten
all nut-and-bolt combinations before use.*

Enjoy!

DISCLAIMER

This equipment must be used with care by capable and competent individuals under supervision, if necessary.

The use of any equipment, including this one, involves the potential risk of injury. You accept and assume full responsibility for any and all injuries, damages (both economic and non-economic), and losses of any type, which may occur, and you fully and forever release and discharge Titan, its insurers, employees, officers, directors, associates, and agents from any and all claims, demands, damages, rights of action, or causes of action, present or future, whether the same be known or unknown, anticipated, or unanticipated, resulting from or arising out of the use of said equipment.

TITAN MAKES NO WARRANTY WHATSOEVER WITH RESPECT TO THE EQUIPMENT, INCLUDING ANY WARRANTY OF MERCHANTABILITY OR WARRANTY OF FITNESS FOR A PARTICULAR PURPOSE, WHETHER EXPRESS OR IMPLIED BY LAW, COURSE OF DEALING, COURSE OF PERFORMANCE, USAGE OF TRADE OR OTHERWISE. BUYER ASSUMES ALL LIABILITY IN USE OF THE EQUIPMENT.

NEED HELP?

CONTACT US FIRST.

1 (800) 605-8241

info@titandistributorsinc.com / www.titangreatoutdoors.com

Business Hours: Monday–Friday • 8:00 a.m.–5:00 p.m. (CT)

