

# TITAN

## GREAT OUTDOORS



### OWNER'S MANUAL

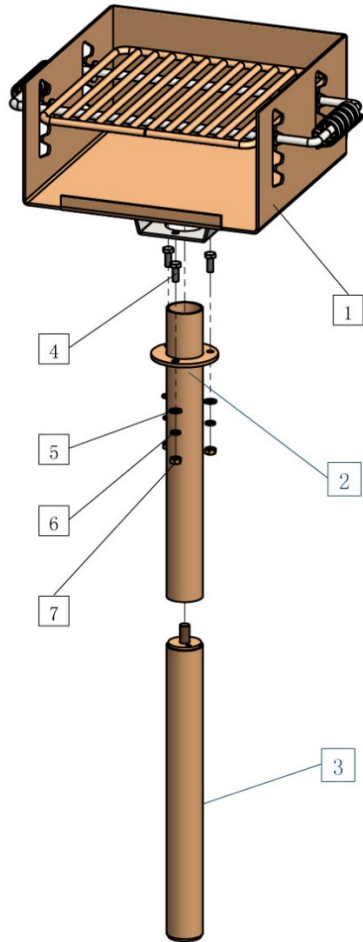
---

**MPN(s): ParkGrillv2**

**SKU(s): 899236**

**UPC(s): 840009208416**

# PARTS DIAGRAM / EXPLODED VIEW

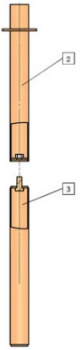


KEY	BOX	DESCRIPTION	QTY
(1)		Grill Box	1
(2)		Upper Post	1
(3)		Lower Post	1
(4)		Hexa Bolt M10x25	3
(5)		Flat Washer 10	3
(6)		Spring Washer 10	3
(7)		Hexa Nut M10	3



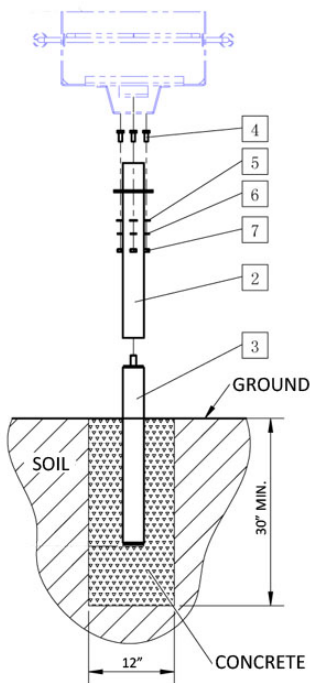
# ASSEMBLY INSTRUCTIONS

## A. Connect Upper Post to Lower Post



- Screw Upper Post (2) onto Lower Post (3), and tighten.

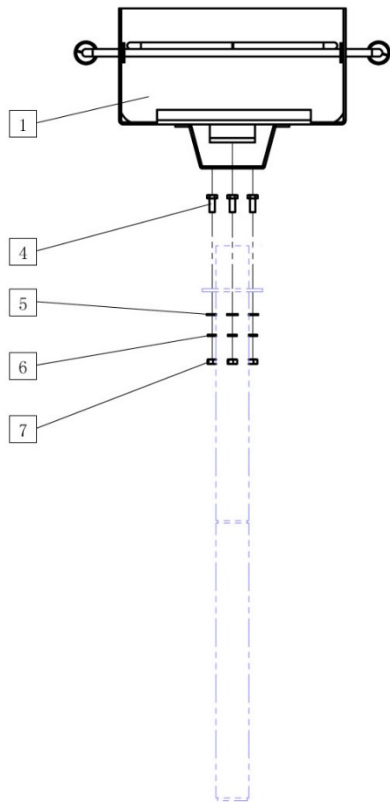
## B. Foundation Work



- Use a post hole digger to dig a hole with minimum diameter of 12" by 30" deep, and fill the hole with concrete.
- Push the Post into concrete for minimum 10" deep, leaving about 30" above the ground. It is very important to make sure that the post is plumbed vertically. Do not install the Grill Box (1) on Post until concrete is fully cured.



### C. Installing Grill Box on Post



- Make sure that the concrete holding the Post is fully cured. Align the bottom bracket holes of Grill Box (1) with flange holes of the Upper Post (2) at Post top. Lock the Grill Box (1) by using Hexa Bolt M10x25 (4), Flat Washer 10 (5), Spring Washer 10 (6) and Hexa Nut M10 (7). The order of assembling is to push Hexa Bolt M10x25 (4) through the holes, and then and then place FLAT WASHER 10 (5), SPRING WASHER 10 (6) and HEXA NUT M10 (7) onto the end of the bolt. Fasten all hardware.

### ROLLING BASE

For customer who has purchase rolling base (PGBW), a shorter 10" upper post is available as an optional Accessory to replace the 20" regular post that comes with the standard unit.



*This concludes the Owner's Manual.*

*If applicable to your product, make sure to tighten all nut-and-bolt combinations before use.*

*Enjoy!*

### **DISCLAIMER**

This equipment must be used with care by capable and competent individuals under supervision, if necessary.

The use of any equipment, including this one, involves the potential risk of injury. You accept and assume full responsibility for any and all injuries, damages (both economic and non-economic), and losses of any type, which may occur, and you fully and forever release and discharge Titan, its insurers, employees, officers, directors, associates, and agents from any and all claims, demands, damages, rights of action, or causes of action, present or future, whether the same be known or unknown, anticipated, or unanticipated, resulting from or arising out of the use of said equipment.

TITAN MAKES NO WARRANTY WHATSOEVER WITH RESPECT TO THE EQUIPMENT, INCLUDING ANY WARRANTY OF MERCHANTABILITY OR WARRANTY OF FITNESS FOR A PARTICULAR PURPOSE, WHETHER EXPRESS OR IMPLIED BY LAW, COURSE OF DEALING, COURSE OF PERFORMANCE, USAGE OF TRADE OR OTHERWISE. BUYER ASSUMES ALL LIABILITY IN USE OF THE EQUIPMENT.

**NEED HELP?**

**CONTACT US FIRST.**

**1 (800) 605-8241**

[info@titandistributorsinc.com](mailto:info@titandistributorsinc.com) / [www.titangreatoutdoors.com](http://www.titangreatoutdoors.com)

**Business Hours: Monday–Friday • 8:00 a.m.–5:00 p.m. (CT)**

