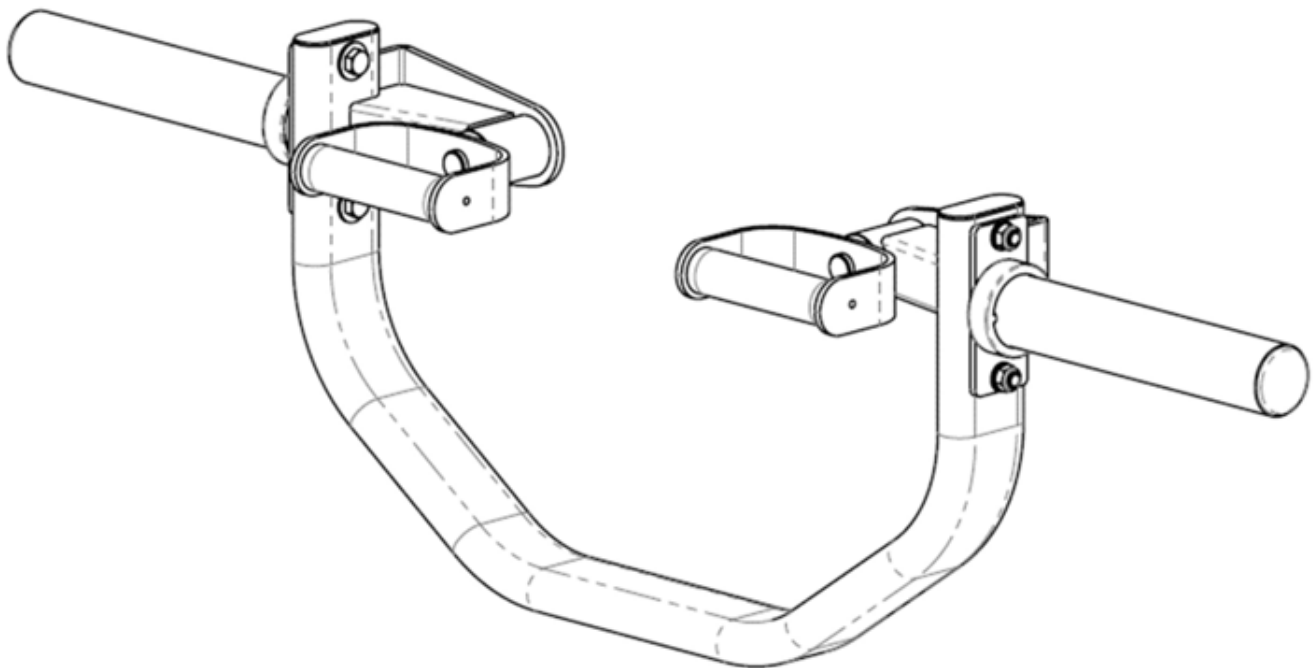




TITAN
FITNESS



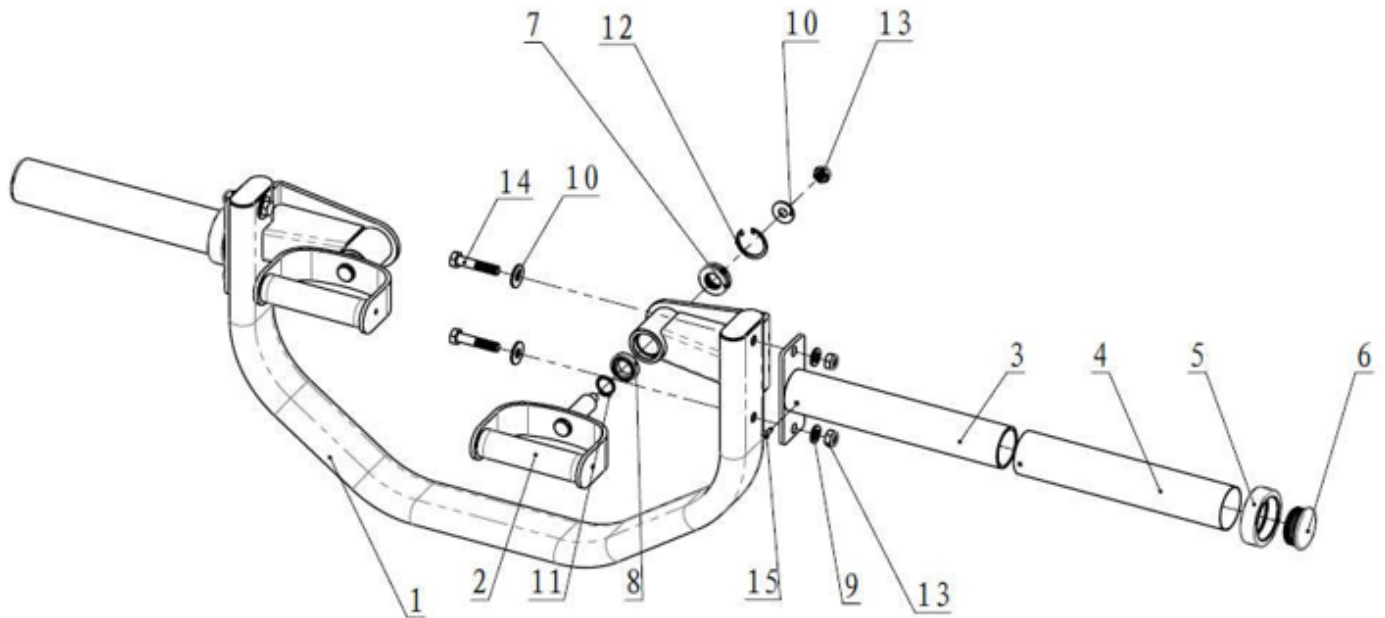
OWNER'S MANUAL

MPN(s): PTRIBAR

SKU(s): 430094

UPC(s): 840009210464

PARTS DIAGRAM / EXPLODED VIEW



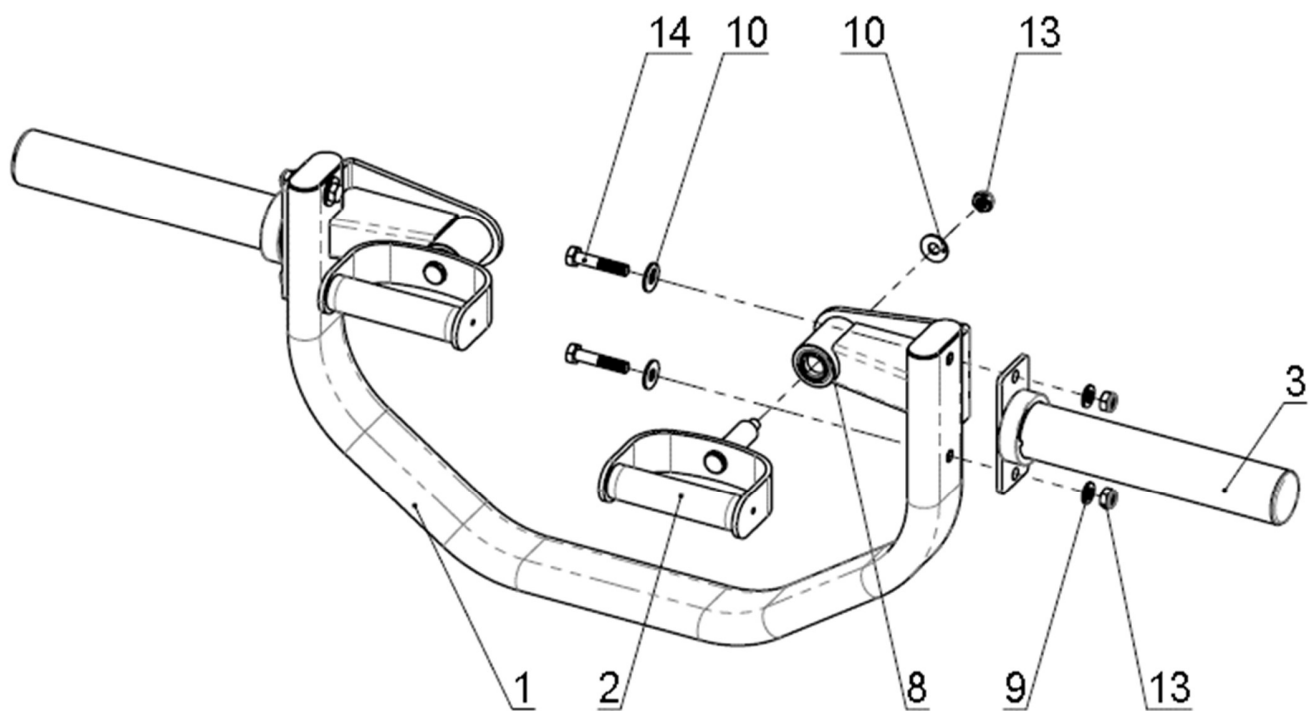
KEY	BOX	DESCRIPTION	QTY	KEY	BOX	DESCRIPTION	QTY
(1)	1	Main Frame	1	(9)	1	Flat Washer $\Phi 11 * \Phi 20 * 2$	4
(2)	1	<u>Handle bar</u>	2	(10)	1	Big Washer $\Phi 10.6 * \Phi 26 * 2$	6
(3)	1	Weight Plate Holder	2	(11)	1	Circlip $\Phi 20$	2
(4)	1	Drive pipe	2	(12)	1	Circlip $\Phi 35$	2
(5)	1	Rubber Cushion	2	(13)	1	Nut M10	6
(6)	1	End Cap $\Phi 48 * 3$	2	(14)	1	Hex Bolt M10*50	4
(7)	1	Bearing	2	(15)	1	Rivet $\Phi 4 * 12$	2
(8)	1	Bearing 61804ZZ	2				

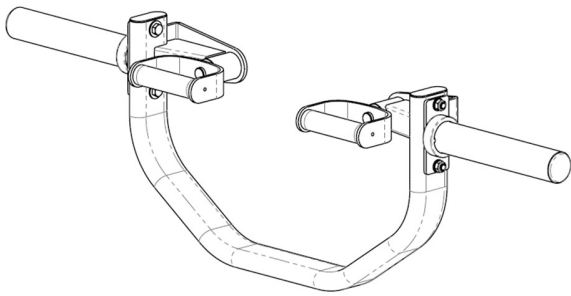


ASSEMBLY INSTRUCTIONS

Step 1

Install the Handle Bar (2) and Weight Plate Holder (3) on the Main frame (1), using Big Washer $\Phi 10.6 * \Phi 26 * 2$ (10), Flat Washer $\Phi 11 * \Phi 20 * 2$ (9), Nut M10 (13) and Hex Bolt M10*50 (14).





*This concludes the PTRIBAR Owner's Manual.
If applicable to your product, make sure to tighten all
nut-and-bolt combinations before use.*

Enjoy!

DISCLAIMER

This equipment must be used with care by capable and competent individuals under supervision, if necessary.

The use of any fitness equipment, including this one, involves the potential risk of injury. You accept and assume full responsibility for any and all injuries, damages (both economic and non-economic), and losses of any type, which may occur, and you fully and forever release and discharge Titan, its insurers, employees, officers, directors, associates, and agents from any and all claims, demands, damages, rights of action, or causes of action, present or future, whether the same be known or unknown, anticipated, or unanticipated, resulting from or arising out of the use of said equipment.

TITAN MAKES NO WARRANTY WHATSOEVER WITH RESPECT TO THE EQUIPMENT, INCLUDING ANY WARRANTY OF MERCHANTABILITY OR WARRANTY OF FITNESS FOR A PARTICULAR PURPOSE, WHETHER EXPRESS OR IMPLIED BY LAW, COURSE OF DEALING, COURSE OF PERFORMANCE, USAGE OF TRADE OR OTHERWISE. BUYER ASSUMES ALL LIABILITY IN USE OF THE EQUIPMENT.

NEED HELP?

CONTACT US FIRST.

1 (800) 605-8241

info@titandistributorsinc.com / www.titan.fitness

Business Hours: Monday–Friday • 8:00 a.m.–5:00 p.m. (CT)

