



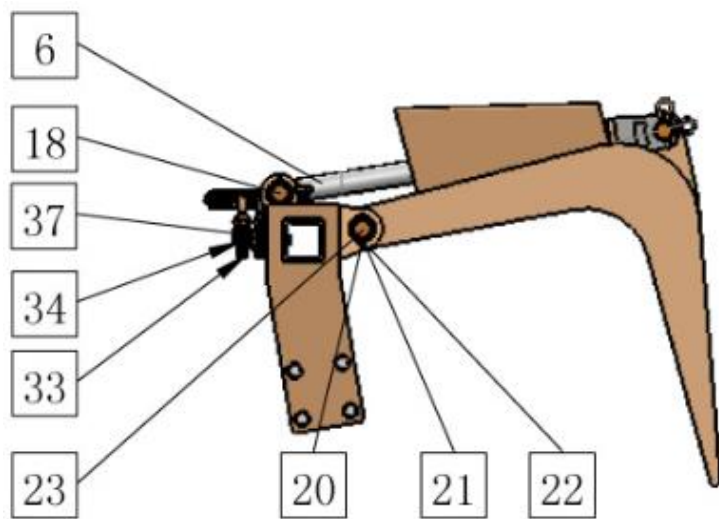
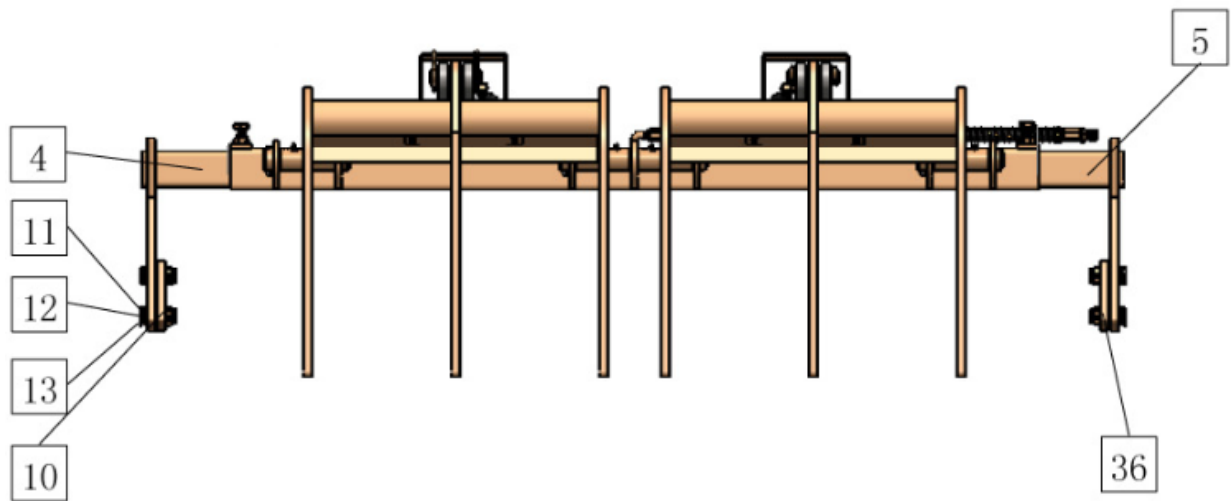
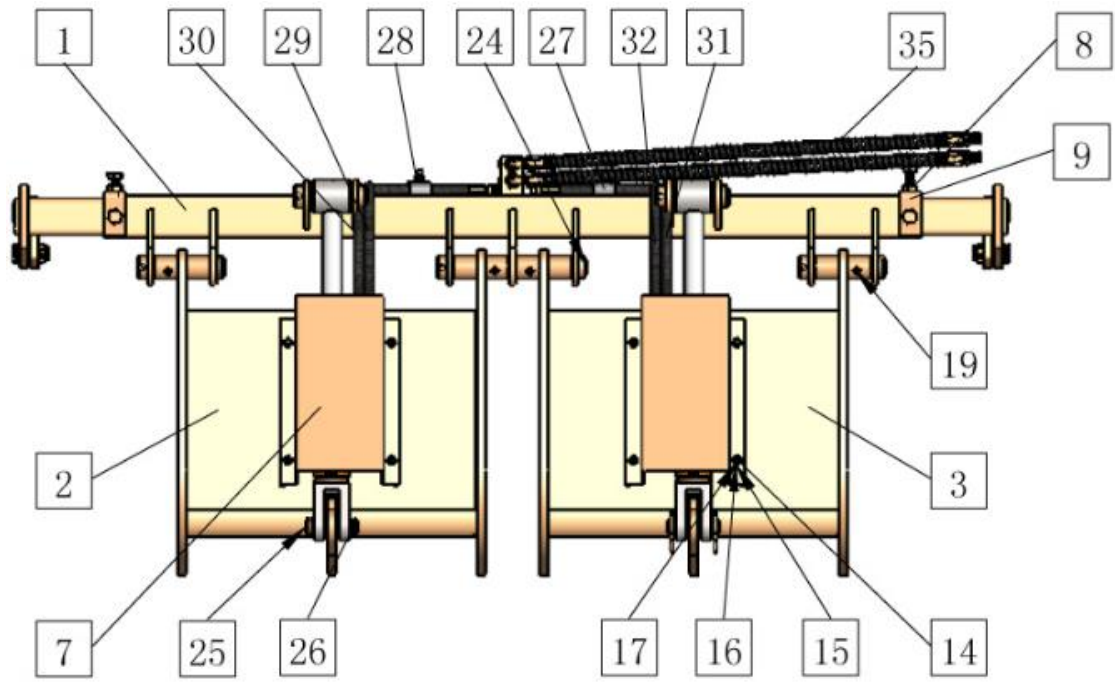
WWW.PALLETFORKS.COM

TITAN
ATTACHMENTS

MPN: BOG6072

Parts Diagram





KEY #	DESCRIPTION	QTY
(1)	UPPER BAR	x1
(2)	RIGHT JAW	x1
(3)	LEFT JAW	x1
(4)	LEFT ARM	x1
(5)	RIGHT ARM	x1
(6)	CYLINDER (165mm STROKE)	x2
(7)	CYLINDER SHIELD	x1
(8)	M16 HEX NUT	x4
(9)	M16x50 HEX BOLT	x4
(10)	M12 HEX NUT	x8
(11)	M12 FLAT WASHER	x8
(12)	M12 SPRING WASHER	x10
(13)	M12x60 HEX BOLT	x8
(14)	M8x20 HEX BOLT	x8
(15)	M8 FLAT WASHER	x8
(16)	M8 SPRING WASHER	x8
(17)	M8 HEX NUT	x8
(18)	PIN SHAFT – 1 DIA 30	x2
(19)	GREASE NOZZLE	x6
(20)	M6 FLAT WASHER (LOCK PIN)	x5
(21)	A6x50 LOCK PIN	x5
(22)	COTTER PIN 1. 6x590	x5
(23)	PIN SHAFT – 2 DIA 30	x2
(24)	PIN SHAFT – 3 DIA 30	x1
(25)	PIN SHAFT DIA 32	x2
(26)	B-SHAPED PIN 3. 7x65	x4
(27)	OIL HOSE CLIP – PLASTIC	x2
(28)	M10 HEX LOCK NUT	x2
(29)	OIL HOSE – INLET 1	x1
(30)	OIL HOSE – OUTLET 1	x1
(31)	OIL HOSE – OUTLET 2	x1
(32)	OIL HOSE – INLET 2	x1
(33)	T-CONNECTOR	x2
(34)	G3-8 HEX THIN NUT	x4
(35)	MAIN OIL HOSE	x2
(36)	T-16 LOCK PLATE	x2
(37)	M16 SPRING WASHER	x2

NEED HELP?

CONTACT US FIRST.

1 (800) 605-8241

info@titandistributorsinc.com / www.palletforks.com

Business Hours: Monday–Friday • 8:00 a.m.–5:00 p.m. (CT)