



WWW.PALLETFORKS.COM
TITAN
ATTACHMENTS



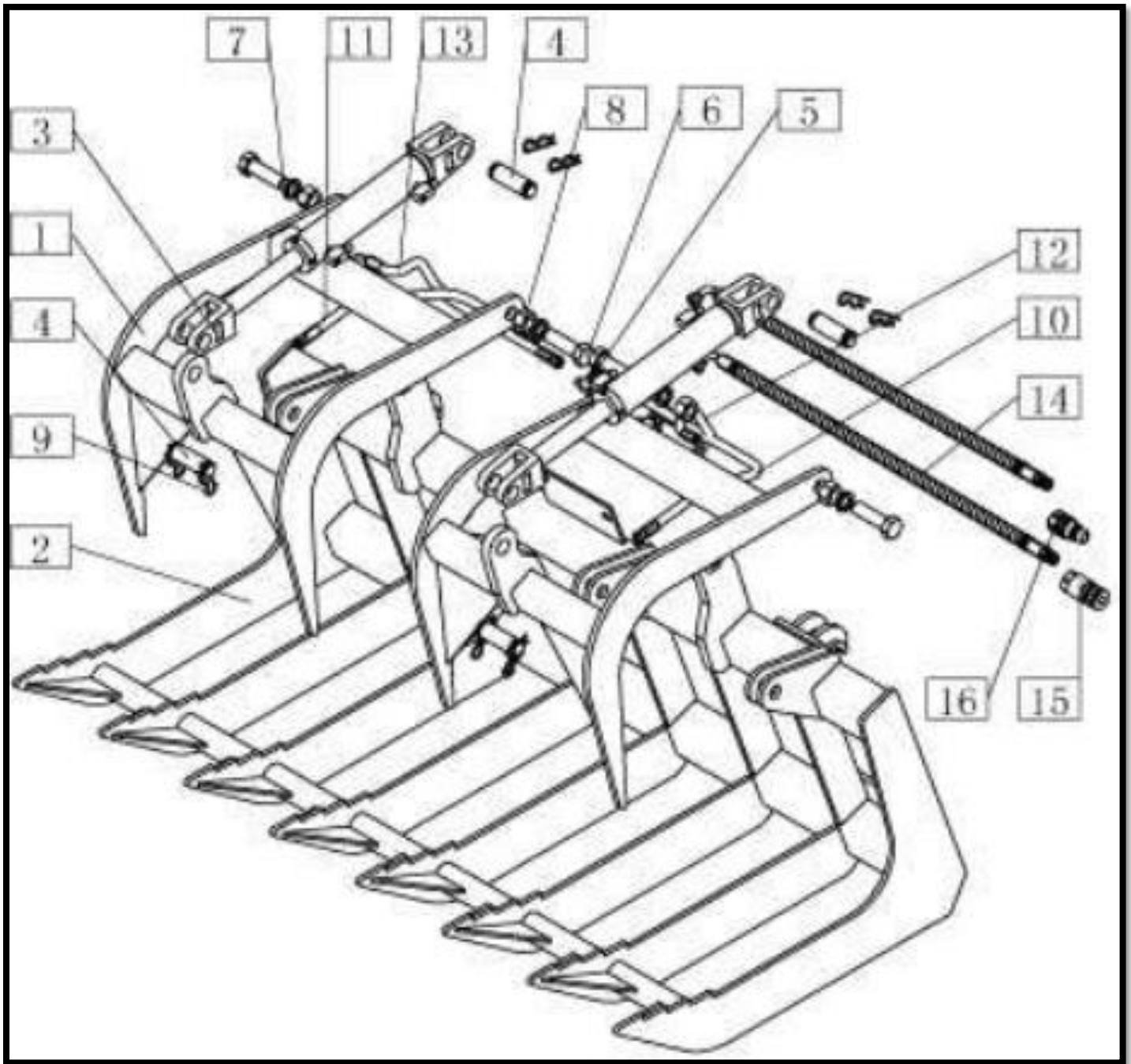
OWNER'S MANUAL

MPN(s): JDERTGP60

SKU(s): 112104

UPC(s): 049008269293

PARTS DIAGRAM



KEY	DESCRIPTION	QTY
(1)	UPPER JAW	x1
(2)	LOWER JAW	x1
(3)	OIL CYLINDER	x2
(4)	PIN	x4
(5)	T-CONNECTOR	x2
(6)	HEX BOLT M24x80	x4
(7)	SPRING WASHER M24	x4
(8)	HEX BOLT M24	x4
(9)	COTTER PIN	x8
(10)	OIL HOSE RETURN – 1	x1
(11)	OIL HOSE RETURN – 2	x1
(12)	OIL HOSE INLET – 1	x1
(13)	OIL HOSE INLET – 2	x1
(14)	MAIN HOSE	x2
(15)	FLAT FACE COUPLER – F	x1
(16)	FLAT FACE COUPLER – M	x1



*This concludes the JDERTGP60
Owner's Manual.*

Enjoy!

DISCLAIMER

This equipment must be used with care by capable and competent individuals under supervision, if necessary.

The use of any equipment, including this one, involves the potential risk of injury. You accept and assume full responsibility for any and all injuries, damages (both economic and non-economic), and losses of any type, which may occur, and you fully and forever release and discharge Titan, its insurers, employees, officers, directors, associates, and agents from any and all claims, demands, damages, rights of action, or causes of action, present or future, whether the same be known or unknown, anticipated, or unanticipated, resulting from or arising out of the use of said equipment.

TITAN MAKES NO WARRANTY WHATSOEVER WITH RESPECT TO THE EQUIPMENT, INCLUDING ANY WARRANTY OF MERCHANTABILITY OR WARRANTY OF FITNESS FOR A PARTICULAR PURPOSE, WHETHER EXPRESS OR IMPLIED BY LAW, COURSE OF DEALING, COURSE OF PERFORMANCE, USAGE OF TRADE OR OTHERWISE. BUYER ASSUMES ALL LIABILITY IN USE OF THE EQUIPMENT.

NEED HELP?

CONTACT US FIRST.

1 (800) 605-8241

info@titandistributorsinc.com / www.palletforks.com

Business Hours: Monday–Friday • 8:00 a.m.–5:00 p.m. (CT)

