



WWW.PALLETFORKS.COM

TITAN

ATTACHMENTS

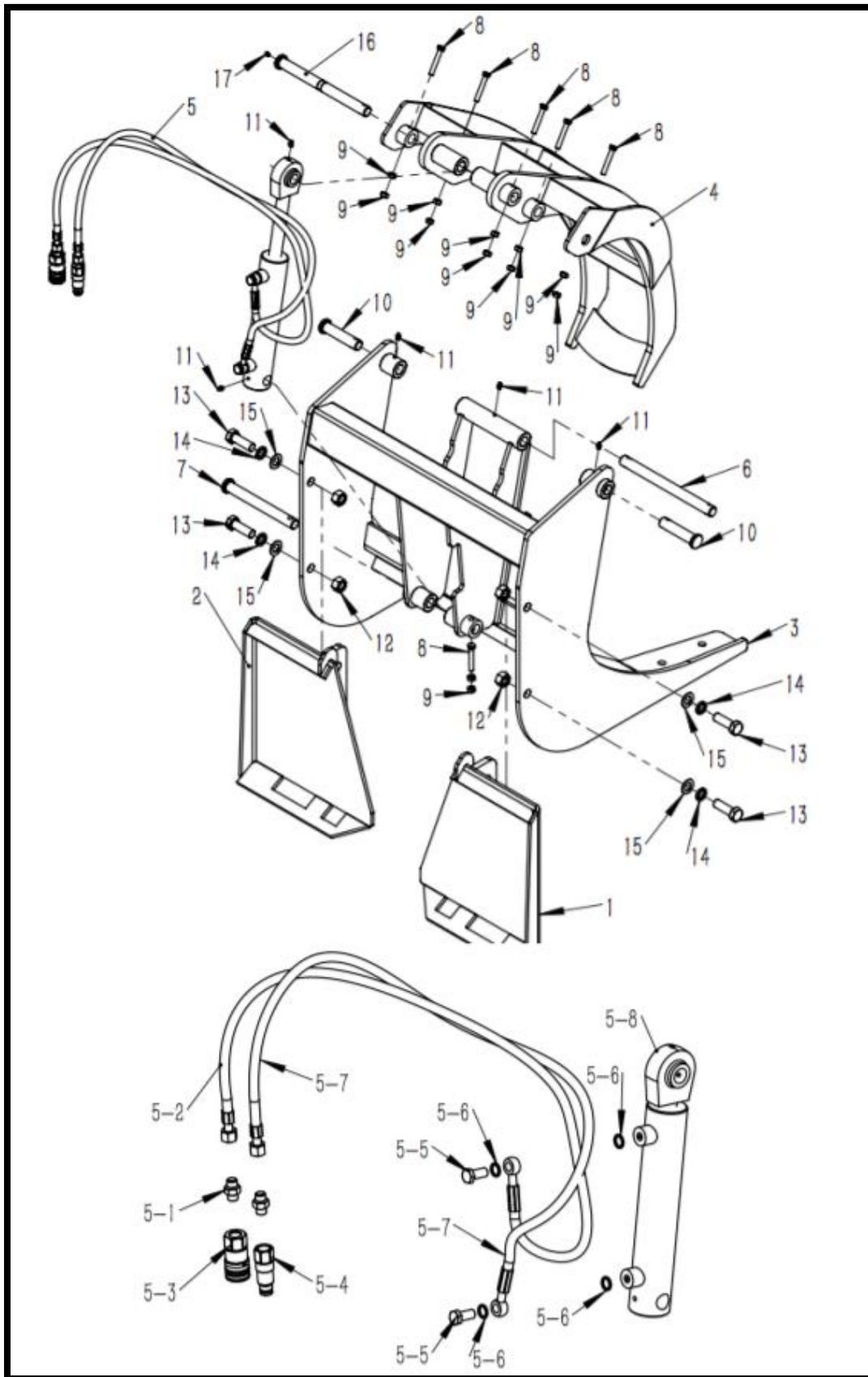


OWNER'S MANUAL

MPN(s): LOGGP

SKU(s): N/A

PARTS DIAGRAM



No.	Parts Number	Parts Name	Qty
1	SLG29.1	Mount plate 01	1
2	SLG29.2	Mount plate 02	1
3	SLG29.3	Underframe weldment	1
4	SLG29.4	Grapple weldment	1
5	SLG29.5	Hydraulic components	1
5-1	GE08LR1/2ED	Connector M14*1.5 -G1/2"	2
5-2	SLG29.5-1	Oil hose 01 (Banjo fitting 14- 24 degree cone M14*1.5)	1
5-3	KIS-PT-G04SP	Quick connectect G1/2 (Female)	1
5-4	KIS-PT-G04SP	Quick connectect G1/2 (Male)	1
5-5	JB/T 978	Banjo bolt M14X1.5	2
5-6	JBT 982	Combination washer 14	4
5-7	SLG29.5-2	Oil hose 02 (Banjo fitting 14- 24 degree cone M14*1.5)	1
5-8	SLG29.5-3	Cylinder components	1
6	SLG29.6	Pin 01	1
7	SLG29.7	Pin 02	1
8	GB/T 5783	Bolt M10*65	6
9	GB/T 6170	Nut M10	12
10	SLG29.8	Pin 03	2
11	JB/T 7940.1	Straight oil cup M8x1	5
12	GB/T 6170	Nut M20	4
13	GB/T 5783	Bolt M20*60	4
14	GB/T 93	Spring washer 20	4
15	GB/T 97.1	Flat washer 20	4
16	SLG29.9	Pin 04	1
17	JB/T 7940.1	Straight oil cup M6x1	1





This concludes the LOGGP Owner's Manual.

Make sure to tighten all nut-and-bolt combinations before use.

Enjoy!

DISCLAIMER

This equipment must be used with care by capable and competent individuals under supervision, if necessary.

The use of any equipment, including this one, involves the potential risk of injury. You accept and assume full responsibility for any and all injuries, damages (both economic and non-economic), and losses of any type, which may occur, and you fully and forever release and discharge Titan, its insurers, employees, officers, directors, associates, and agents from any and all claims, demands, damages, rights of action, or causes of action, present or future, whether the same be known or unknown, anticipated, or unanticipated, resulting from or arising out of the use of said equipment.

TITAN MAKES NO WARRANTY WHATSOEVER WITH RESPECT TO THE EQUIPMENT, INCLUDING ANY WARRANTY OF MERCHANTABILITY OR WARRANTY OF FITNESS FOR A PARTICULAR PURPOSE, WHETHER EXPRESS OR IMPLIED BY LAW, COURSE OF DEALING, COURSE OF PERFORMANCE, USAGE OF TRADE OR OTHERWISE. BUYER ASSUMES ALL LIABILITY IN USE OF THE EQUIPMENT.

NEED HELP?

CONTACT US FIRST.

1 (800) 605-8241

info@titandistributorsinc.com / www.palletforks.com

Business Hours: Monday–Friday • 8:00 a.m.–5:00 p.m. (CT)

