



WWW.PALLETFORKS.COM
TITAN
ATTACHMENTS



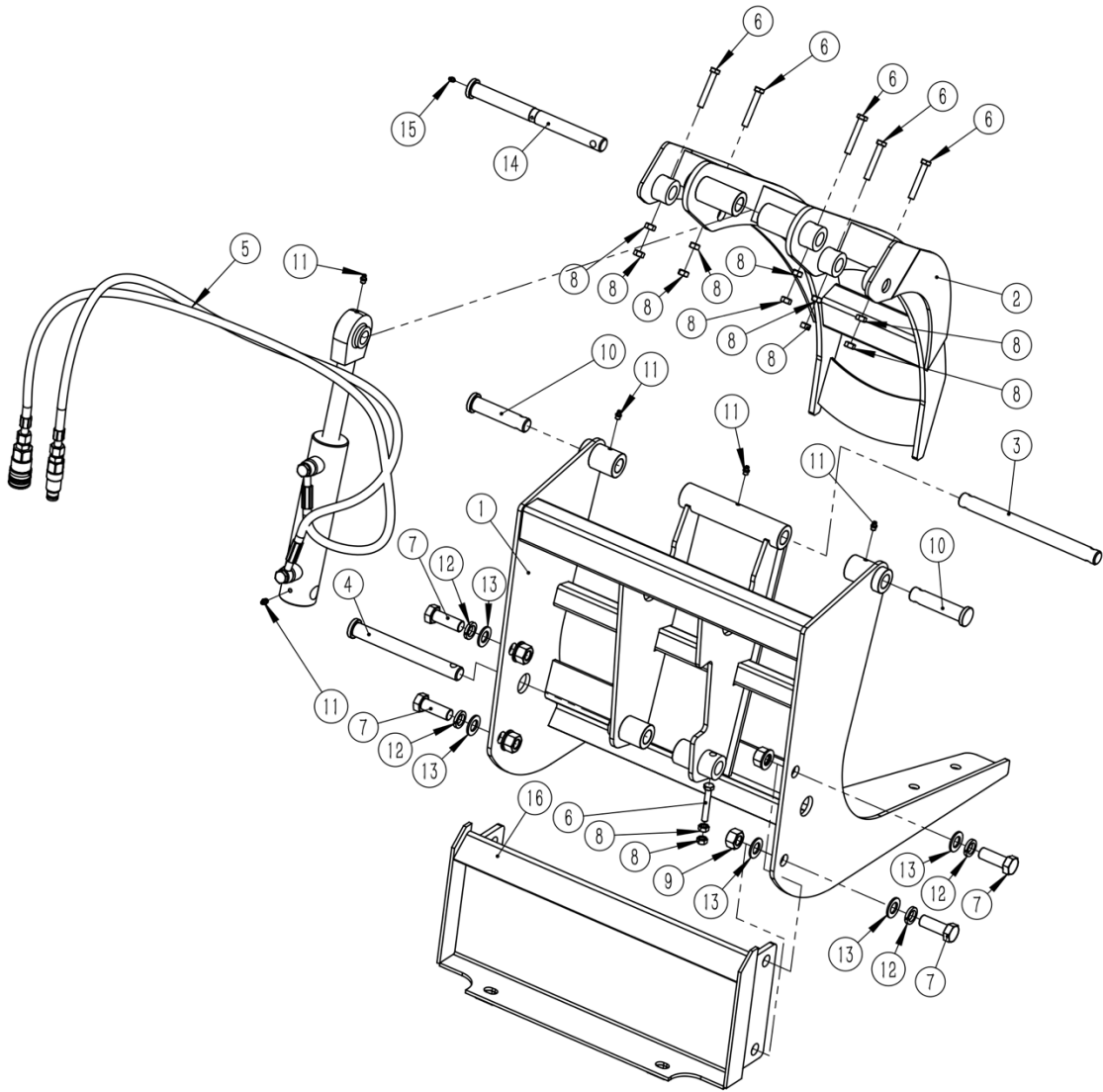
OWNER'S MANUAL

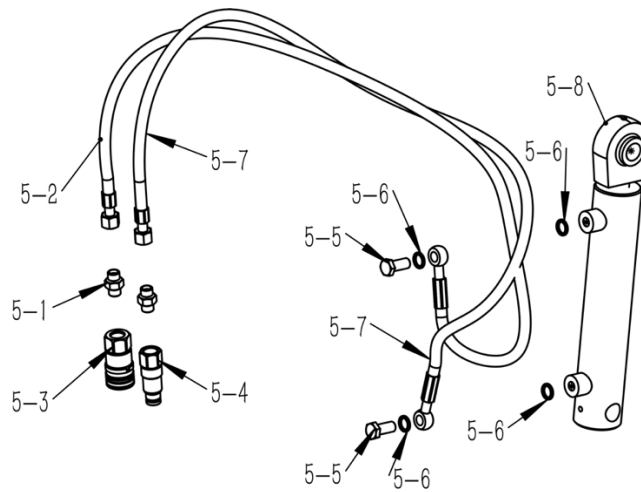
MPN(s): TOROLOGGP

SKU(s): 113218

UPC(s): 840009205224

PARTS DIAGRAM / EXPLODED VIEW





TOROLOGGP Parts List			
KEY	BOX	DESCRIPTION	QTY
1	TLG24. 3	UNDERFRAME WELDMENT	1
2	TLG24. 4	CLAW WELDMENT	1
3	TLG24. 6	PIN 01	1
4	SLG29. 7	PIN 02	1
5	TLG24. 5	HYDRAULIC COMPONENTS	1
5-1	GE08LR1/2ED	CONNECTOR M14*1. 5-G1/2"	2
5-2	TLG24. 5-1	TUBING 01	1
5-3	KIS-PT-G04SP	QUICK-CHANGE CONNECTOR G1/2 (FEMALE)	1
5-4	KIS-PT-G04SP	QUICK-CHANGE CONNECTOR G1/2 (MALE)	1
5-5	JB/T 978	BANJO BOLT M14×1. 5	2
5-6	JBT 982	COMBINED SEALING WASHER 14	4
5-7	TLG24. 5-2	TUBING 02	1
5-8	TLG24. 5-3	HYDRAULIC CYLINDER	1
6	GB/T 5783	BOLT M10×65	6
7	GB/T 5783	BOLT M20×55	4
8	GB/T 6170	NUT M8	12
9	GB/T 6170	NUT M20	4
10	SLG29. 8	PIN 03	2
11	JB/T 7940. 1	OIL CUP M8×1	5
12	GB/T 93	SPRING WASHER 20	4
13	GB/T 97. 1	PLAIN WASHER 20	8
14	TLG24. 9	PIN 04	1
15	JB/T 7940. 1	OIL CUP M6×1	1
16	TLG24. 10	CONNECTING PLATE WELDMENT	1



This concludes the TOROLOGGP Owner's Manual.

If applicable to your product, make sure to tighten all nut-and-bolt combinations before use.

Enjoy!

DISCLAIMER

This equipment must be used with care by capable and competent individuals under supervision, if necessary.

The use of any equipment, including this one, involves the potential risk of injury. You accept and assume full responsibility for any and all injuries, damages (both economic and non-economic), and losses of any type, which may occur, and you fully and forever release and discharge Titan, its insurers, employees, officers, directors, associates, and agents from any and all claims, demands, damages, rights of action, or causes of action, present or future, whether the same be known or unknown, anticipated, or unanticipated, resulting from or arising out of the use of said equipment.

TITAN MAKES NO WARRANTY WHATSOEVER WITH RESPECT TO THE EQUIPMENT, INCLUDING ANY WARRANTY OF MERCHANTABILITY OR WARRANTY OF FITNESS FOR A PARTICULAR PURPOSE, WHETHER EXPRESS OR IMPLIED BY LAW, COURSE OF DEALING, COURSE OF PERFORMANCE, USAGE OF TRADE OR OTHERWISE. BUYER ASSUMES ALL LIABILITY IN USE OF THE EQUIPMENT.

NEED HELP?

CONTACT US FIRST.

1 (800) 605-8241

info@titandistributorsinc.com / www.palletforks.com

Business Hours: Monday–Friday • 8:00 a.m.–5:00 p.m. (CT)

