



WWW.PALLETFORKS.COM

**TITAN**

ATTACHMENTS



## OWNER'S MANUAL

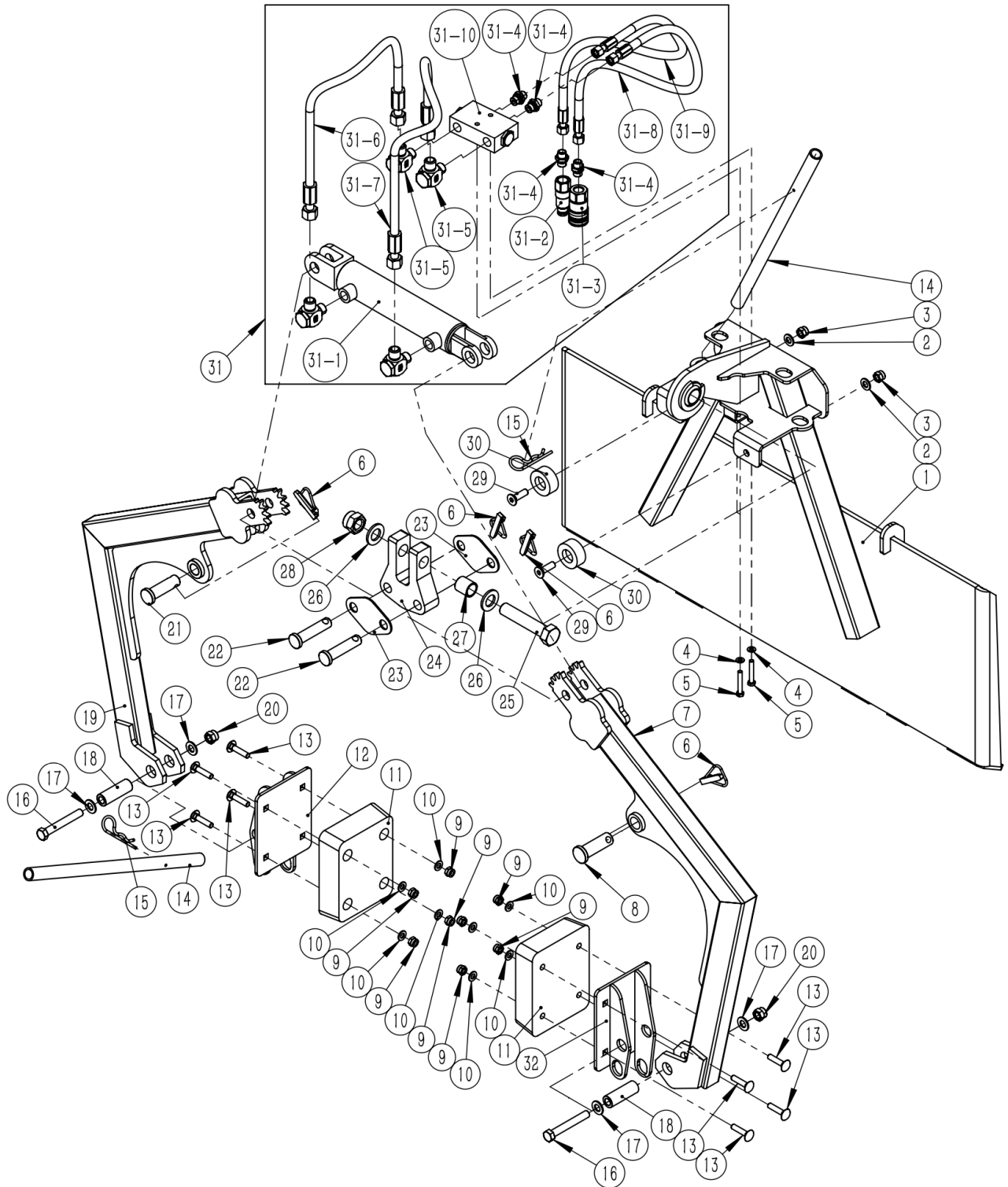
---

MPN(s) : TOROCLAW

SKU(s) : 113222

UPC(s) : 840009206825

# PARTS DIAGRAM / EXPLODED VIEW



TOROCLAW Parts List			
KEY	BOX	DESCRIPTION	QTY
1	TCG48.1	TORO CONNECTING PLATE WELDMENT	1
2	GB/T 97.1	PLAIN WASHER 12	2
3	GB/T 889.1	LOCK NUT M12	2
4	GB/T 97.1	PLAIN WASHER 8	2
5	GB/T 5783	BOLT M8×50	2
6	DIN 11023	LOCK PIN Φ11*40	4
7	TCG48.4	CLAW WELDMENT 02	1
8	TCG48.14	PIN	1
9	GB/T 889.1	LOCK NUT M10	8
10	GB/T 97.1	PLAIN WASHER 10	8
11	TCG48.7	RUBBER	2
12	TCG48.6	PLATE 02	1
13	GB/T 14	MUSHROOM HEAD SQUARE NECK BOLT M10×45	8
14	TCG48.9	SUPPORTING WELDMENT	2
15	DIN 11024	SPLIT PIN 5	2
16	GB/T 5782	BOLT M14×100	2
17	GB/T 97.1	PLAIN WASHER 14	4
18	TCG48.8	TURN SPACE	2
19	TCG48.3	CLAW WELDMENT 01	1
20	GB/T 889.1	LOCK NUT M14	2
21	TCG48.13	PIN	1
22	TCG48.12	CLAW PIN	2
23	TCG48.10	CLAW ASSEMBLE PLATE	2
24	TCG48.2	TURN CONNECTING BLOCK	1
25	GB/T 5782	BOLT M24×120	1
26	GB/T 97.1	PLAIN WASHER 24	2
27	TCG48.15	TURN CONNECTING BLOCK SPACE	1
28	GB/T 889.1	LOCK NUT M24	1
29	GB/T 70.3	HEX SOCKET FLAT HEAD SCREW M12×40	2
30	SS180W.5	RUBBER RING	2
31	TCG48.11	HYDRAULIC COMPONENTS	1
31-1	TCG48.11.1	HYDRAULIC CYLINDER	1
31-2	KIS-PT-G04SP	QUICK-CHANGE CONNECTOR G1/2 (MALE)	1
31-3	KIS-PT-G04SP	QUICK-CHANGE CONNECTOR G1/2 (FEMALE)	1
31-4	GE10LR12EDOMD	CONNECTOR M16*1.5-G1/2"	4
31-5	WH15LRKDSOMD	HINGE JOINT CONNECTOR M16*1.5-G1/2"	4
31-6	TCG48.11-2	TUBING 01	1
31-7	TCG48.11-3	TUBING 02	1
31-8	TCG48.11-4	TUBING 03	1
31-9	TCG48.11-5	TUBING 04	1
31-10	VRPDC-G1/2	HYDRAULIC LOCK	1
32	TCG48.5	PLATE 01	1





*This concludes the TOROCLAW Owner's Manual.*

*If applicable to your product, make sure to tighten all nut-and-bolt combinations before use.*

*Enjoy!*

### DISCLAIMER

This equipment must be used with care by capable and competent individuals under supervision, if necessary.

The use of any equipment, including this one, involves the potential risk of injury. You accept and assume full responsibility for any and all injuries, damages (both economic and non-economic), and losses of any type, which may occur, and you fully and forever release and discharge Titan, its insurers, employees, officers, directors, associates, and agents from any and all claims, demands, damages, rights of action, or causes of action, present or future, whether the same be known or unknown, anticipated, or unanticipated, resulting from or arising out of the use of said equipment.

TITAN MAKES NO WARRANTY WHATSOEVER WITH RESPECT TO THE EQUIPMENT, INCLUDING ANY WARRANTY OF MERCHANTABILITY OR WARRANTY OF FITNESS FOR A PARTICULAR PURPOSE, WHETHER EXPRESS OR IMPLIED BY LAW, COURSE OF DEALING, COURSE OF PERFORMANCE, USAGE OF TRADE OR OTHERWISE. BUYER ASSUMES ALL LIABILITY IN USE OF THE EQUIPMENT.

NEED HELP?



CONTACT US FIRST.

**1 (800) 605-8241**

[info@titandistributorsinc.com](mailto:info@titandistributorsinc.com) / [www.palletforks.com](http://www.palletforks.com)

**Business Hours: Monday–Friday • 8:00 a.m.–5:00 p.m. (CT)**

