



WWW.PALLETFORKS.COM
TITAN
ATTACHMENTS



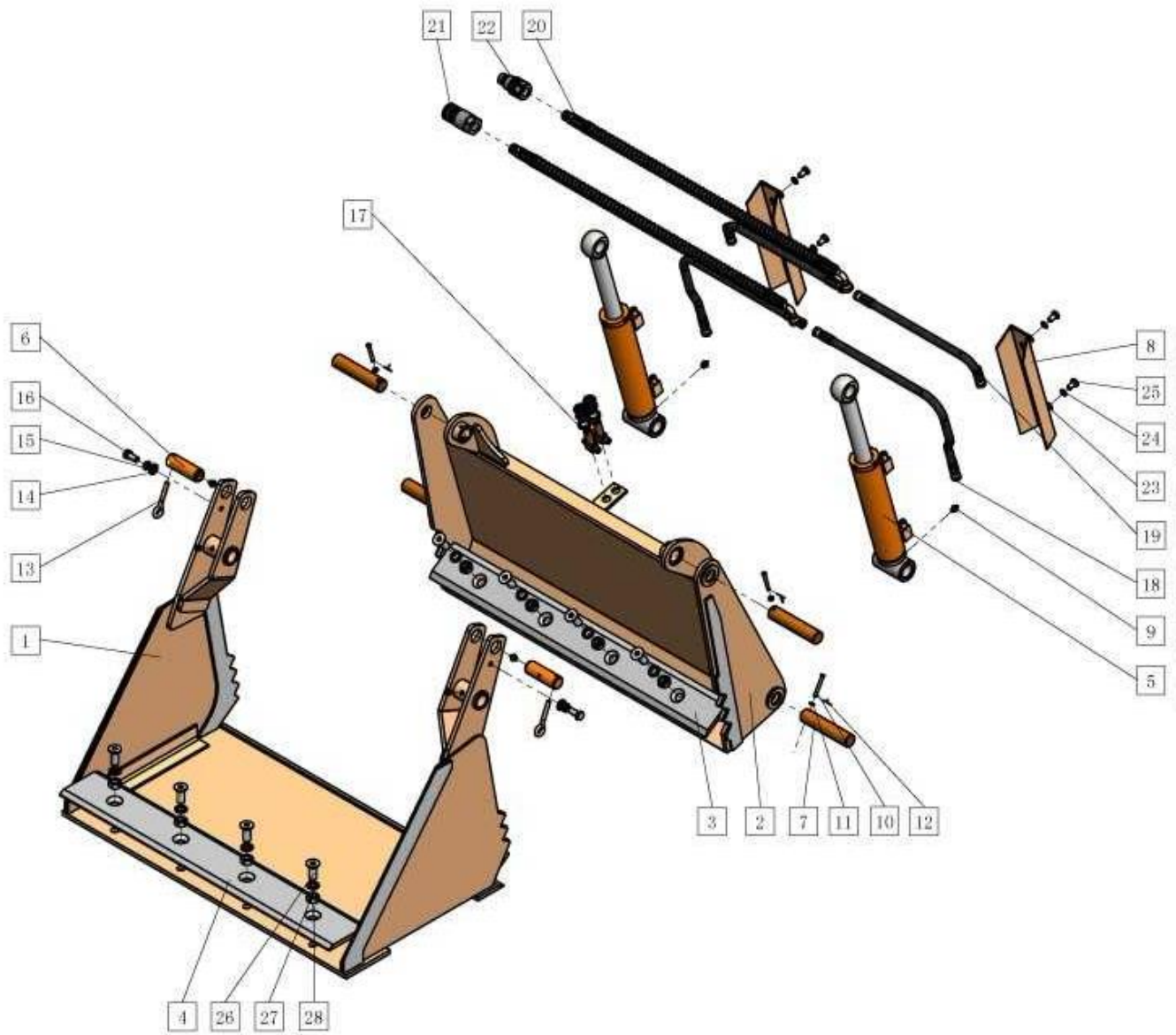
OWNER'S MANUAL

MPN(s): C35TORO41

SKU(s): 113905

UPC(s): 719318366455

PARTS DIAGRAM



| KEY | DESCRIPTION | QTY |
|------------|-----------------------------|------------|
| (1) | FRONT BUCKET | x1 |
| (2) | BACK BUCKET | x1 |
| (3) | BACK CUTTING EDGE | x1 |
| (4) | FRONT CUTTING EDGE | x1 |
| (5) | HYDRAULIC CYLINDER | x1 |
| (6) | PIN – 1 | x2 |
| (7) | PIN – 2 | x4 |
| (8) | CYLINDER SHIELD | x2 |
| (9) | GREASE NOZZLE | x6 |
| (10) | LOCK PIN | x4 |
| (11) | 6 FLAT WASHER | x4 |
| (12) | COTTER PIN | x4 |
| (13) | EYE PIN | x2 |
| (14) | 12 FLAT WASHER | x2 |
| (15) | 12 SPRING WASHER | x2 |
| (16) | M12x25 HEX BOLT | x2 |
| (17) | T-CONNECTOR | x2 |
| (18) | OIL HOSE – INLET | x2 |
| (19) | OIL HOSE – RETURN | x2 |
| (20) | MAIN HOSE | x2 |
| (21) | FLAT FACE COUPLER – F | x1 |
| (22) | FLAT FACE COUPLER – M | x1 |
| (23) | 10 FLAT WASHER | x4 |
| (24) | 10 SPRING WASHER | x4 |
| (25) | M10x16 HEX BOLT | x4 |
| (26) | M16x40 COUNTERSUNK HEX BOLT | x8 |
| (27) | 16 SPRING WASHER | x8 |
| (28) | M16 HEX NUT | x8 |





*This concludes the assembly
of your product.*

*Make sure to tighten all nut-
and-bolt combinations
before use.*

Enjoy!

NEED HELP?

CONTACT US FIRST.

1 (800) 605-8241

info@titandistributorsinc.com / www.palletforks.com

Business Hours: Monday–Friday • 8:00 a.m.–5:00 p.m. (CT)

