



WWW.PALLETFORKS.COM  
**TITAN**  
ATTACHMENTS



## OWNER'S MANUAL

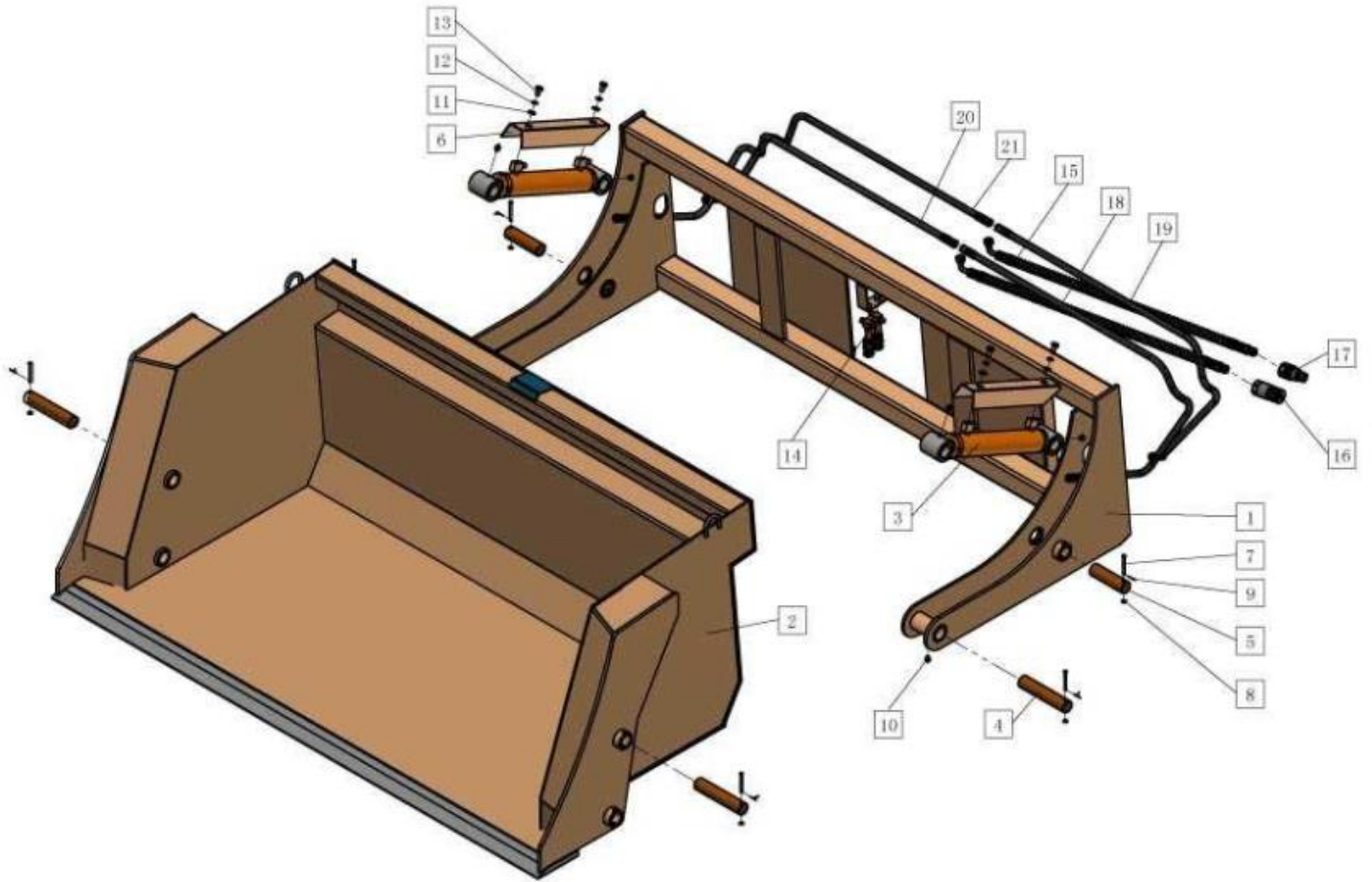
---

**MPN(s):** HIBCKT72

**SKU(s):** 114105

**UPC(s):** 719318366899

# PARTS DIAGRAM



<b>KEY</b>	<b>DESCRIPTION</b>	<b>QTY</b>
(1)	BUCKET BACK FRAME	x1
(2)	BUCKET	x1
(3)	HYDRAULIC CYLINDER	x2
(4)	PIN SHAFT-1	x4
(5)	PIN SHAFT-2	x2
(6)	CYLINDER PROTECTIVE SHIELD	x2
(7)	A6x60 LOCK PIN	x6
(8)	M6 FLAT WASHER	x6
(9)	L6x20 COTTER PIN	x6
(10)	GREASE NOZZLE	x6
(11)	M10 FLAT WASHER	x4
(12)	M10 SPRING WASHER	x4
(13)	M10x16 HEX BOLT	x4
(14)	T-CONNECTOR	x2
(15)	MAIN OIL HOSE	x2
(16)	FLAT FACE COUPLER-M	x1
(17)	FLAT FACE COUPLER-F	x1
(18)	OIL HOSE RETURN-1	x1
(19)	OIL HOSE RETURN-2	x1
(20)	OIL HOSE INLET-1	x1
(21)	OIL HOSE INLET-2	x1





*This concludes the  
assembly of your product.*

*Make sure to tighten all  
nut-and-bolt combinations  
before use.*

*Enjoy!*

**NEED HELP?**

**CONTACT US FIRST.**

**1 (800) 605-8241**

[info@titandistributorsinc.com](mailto:info@titandistributorsinc.com) / [www.palletforks.com](http://www.palletforks.com)

**Business Hours: Monday–Friday • 8:00 a.m.–5:00 p.m. (CT)**

