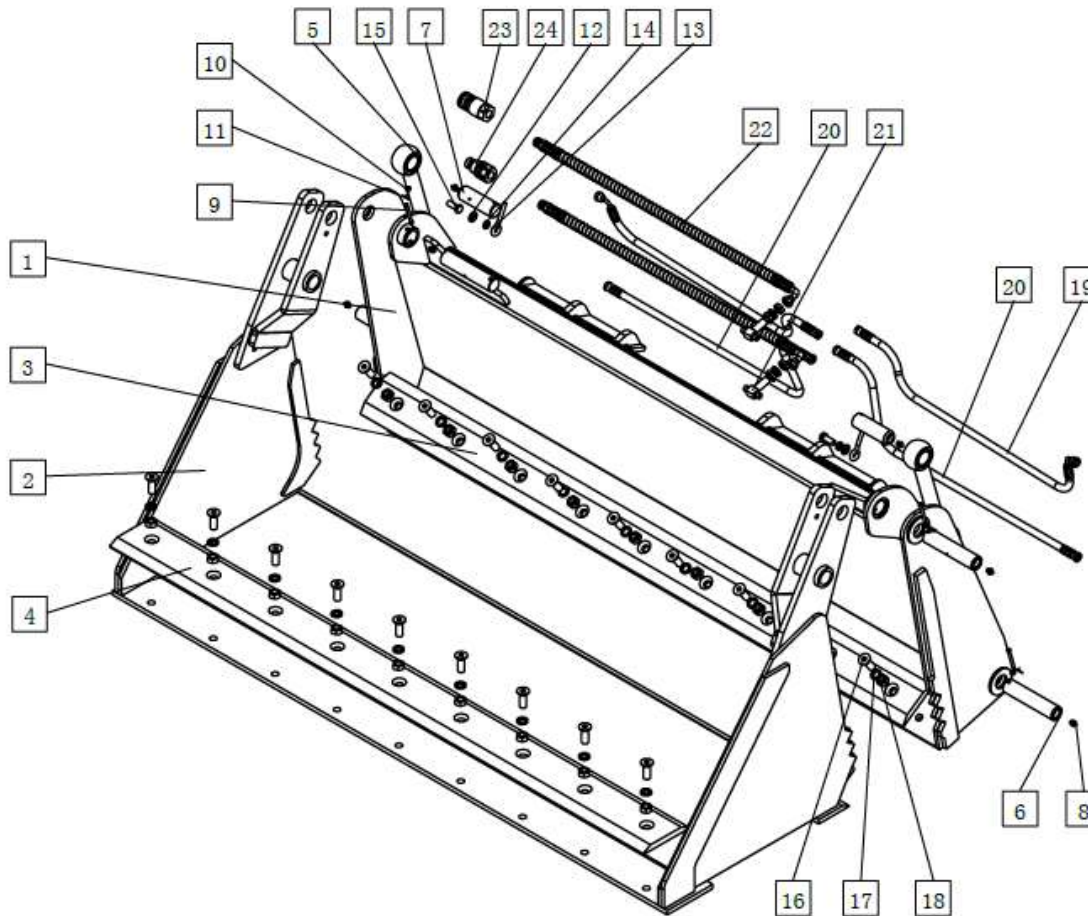


724INICUT



- | | |
|----------------------------------|------|
| 1. back bucket | x-1 |
| 2. front bucket | x-1 |
| 3. back bucket cutting edge | x-1 |
| 4. front cutting edge | x-1 |
| 5. cylinder | x-2 |
| 6. pin sleeve-1 | x-4 |
| 7. pin sleeve-2 | x-2 |
| 8. grease nozzle | x-6 |
| 9. pin sleeve A6*60 | x-4 |
| 10. flat washer 6 | x-4 |
| 11. cotter pin 1.6*20 | x-4 |
| 12. flat washer 12 | x-2 |
| 13. ring pin | x-2 |
| 14. spring washer 12 | x-2 |
| 15. hexa bolt M12*30 | x-2 |
| 16. countersunk hexa bolt M16*45 | x-18 |
| 17. spring washer 16 | x-18 |
| 18. hexa nut M16 | x-18 |
| 19. return oil pipe | x-2 |
| 20. inlet oil pipe | x-2 |
| 21. T-connector | x-2 |
| 22. main oil hose | x-2 |
| 23. O8 flat face coupler-F | x-1 |
| 24. O8 flat face coupler-M | x-1 |

72IN1CUT