



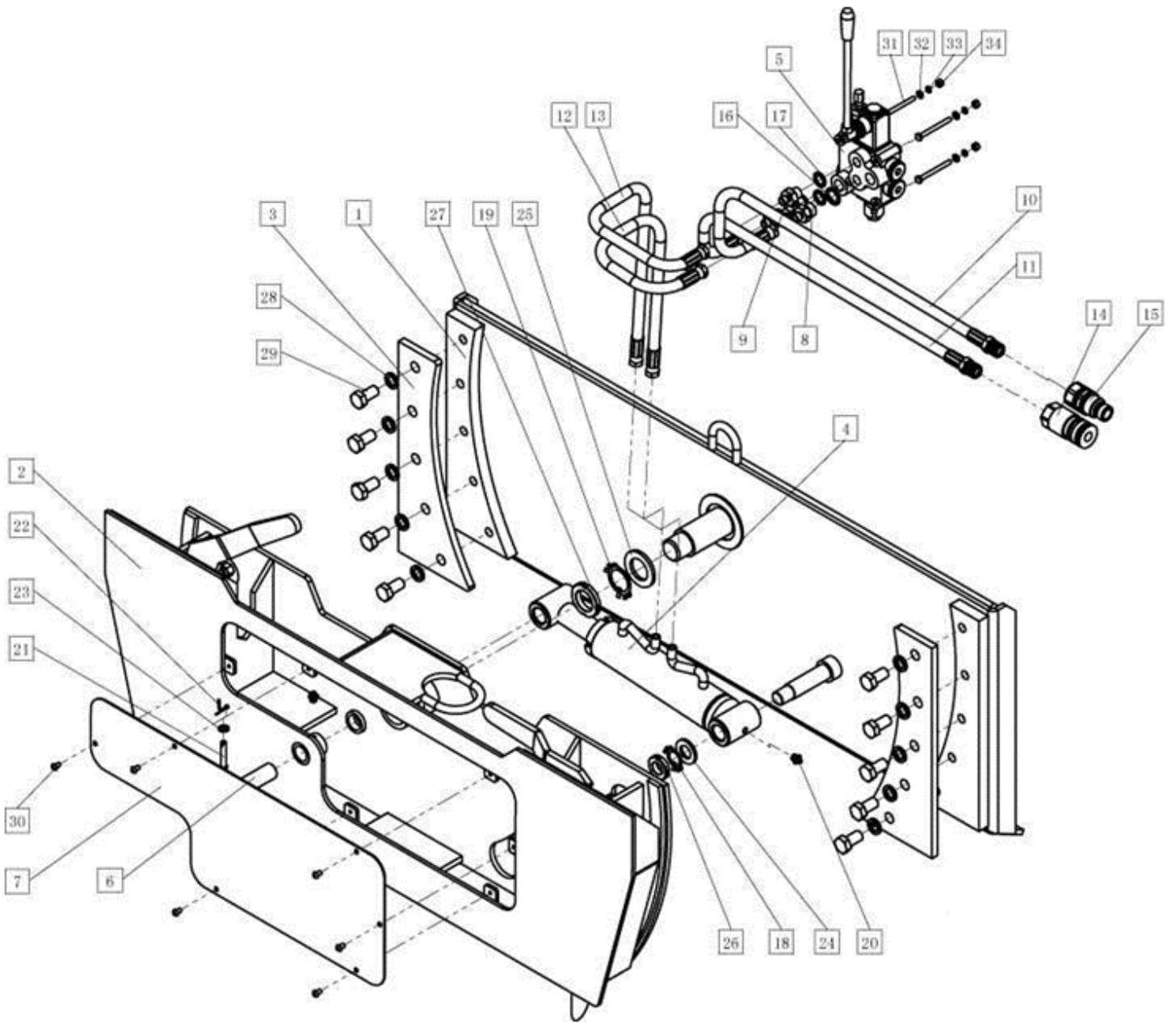
WWW.PALLETFORKS.COM

TITAN
ATTACHMENTS

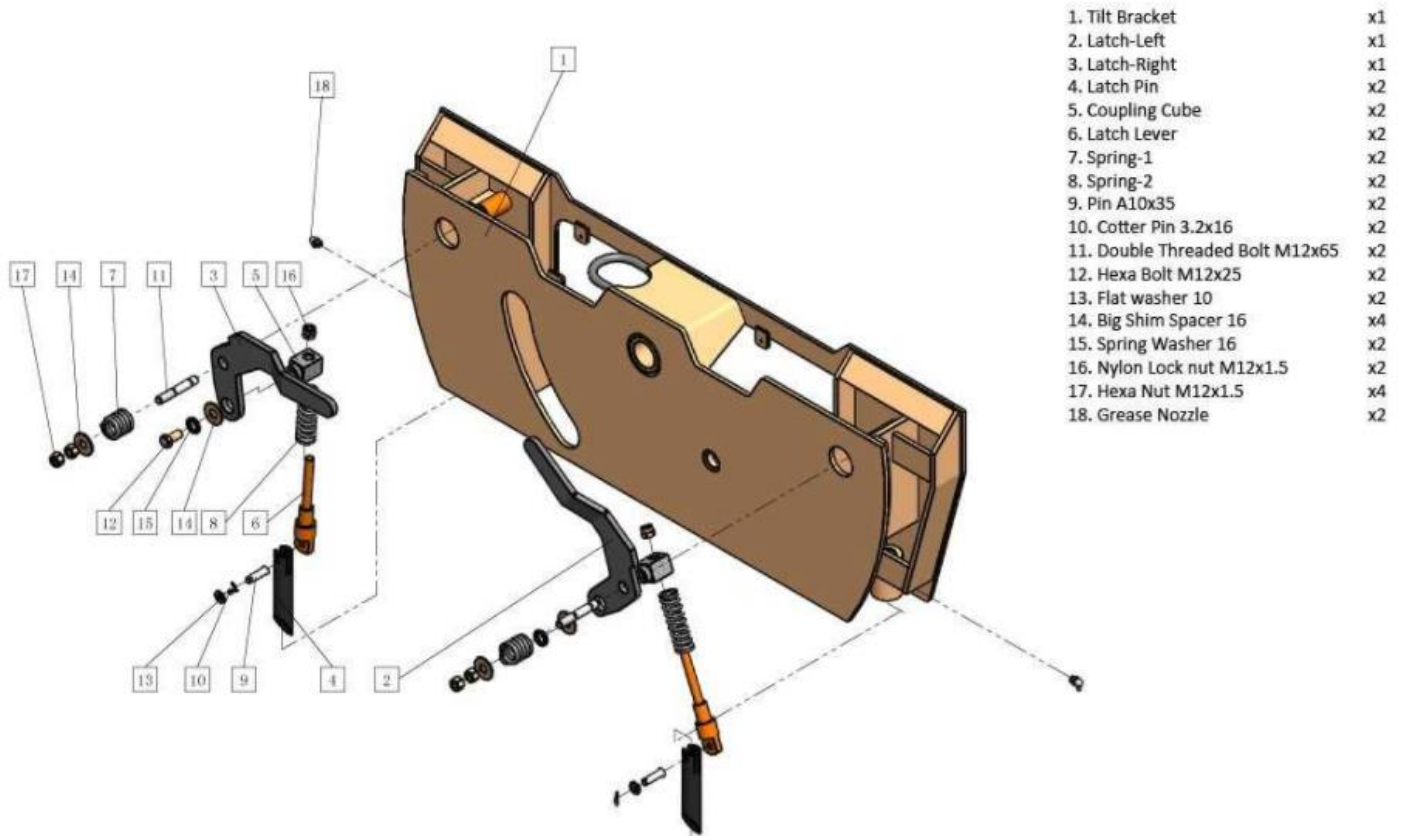
MPN: SSTILT

Parts Diagram





1. Quick Tack Plate	x1
2. Tilting Bracket	x1
3. Slot Channel Bracket-Left	x1
4. Slot Channel Bracket-Right	x1
5. control valve	x1
6. Coupling Shaft (SSTILT05)	x1
7. Front Cover	x1
8. Oil Hose Coupler-1	x2
9. Oil Hose Coupler-2	x2
10. Main Oil Hose-Return	x1
11. Main Oil Hose-Inlet	x1
12. Oil Hose-Return	x1
13. Oil Hose-Inlet	x1
14. Flat Face Coupler - Female	x1
15. Flat Face Coupler - Male	x1
16. Gasket-1	x2
17. Gasket-2	x2
18. Binder Washer-1	x1
19. Binder Washer-2	x1
20. Grease Nozzle	x3
21. Pin Shaft A8x45	x1
22. Cotter Pin	x1
23. Flat Washer 8	x1
24. Flat Washer 22	x1
25. Flat Washer 36	x1
26. Round Washer M22x1.5	x1
27. Round Washer M36x1.5	x1
28. Spring Washer 16	x10
29. Hexa Bolt M16x30	x10
30. Countersunk Hexa Flat Bolt M6x10	x6
31. Hexa Bolt M6x65	x3
32. Flat Washer 6	x3
33. Spring Washer 6	x3
34. Hexa Nut M6	x3



Exploded Diagram - Latch Assembly

NEED HELP?

CONTACT US FIRST.

1 (800) 605-8241

info@titandistributorsinc.com / www.palletforks.com

Business Hours: Monday–Friday • 8:00 a.m.–5:00 p.m. (CT)