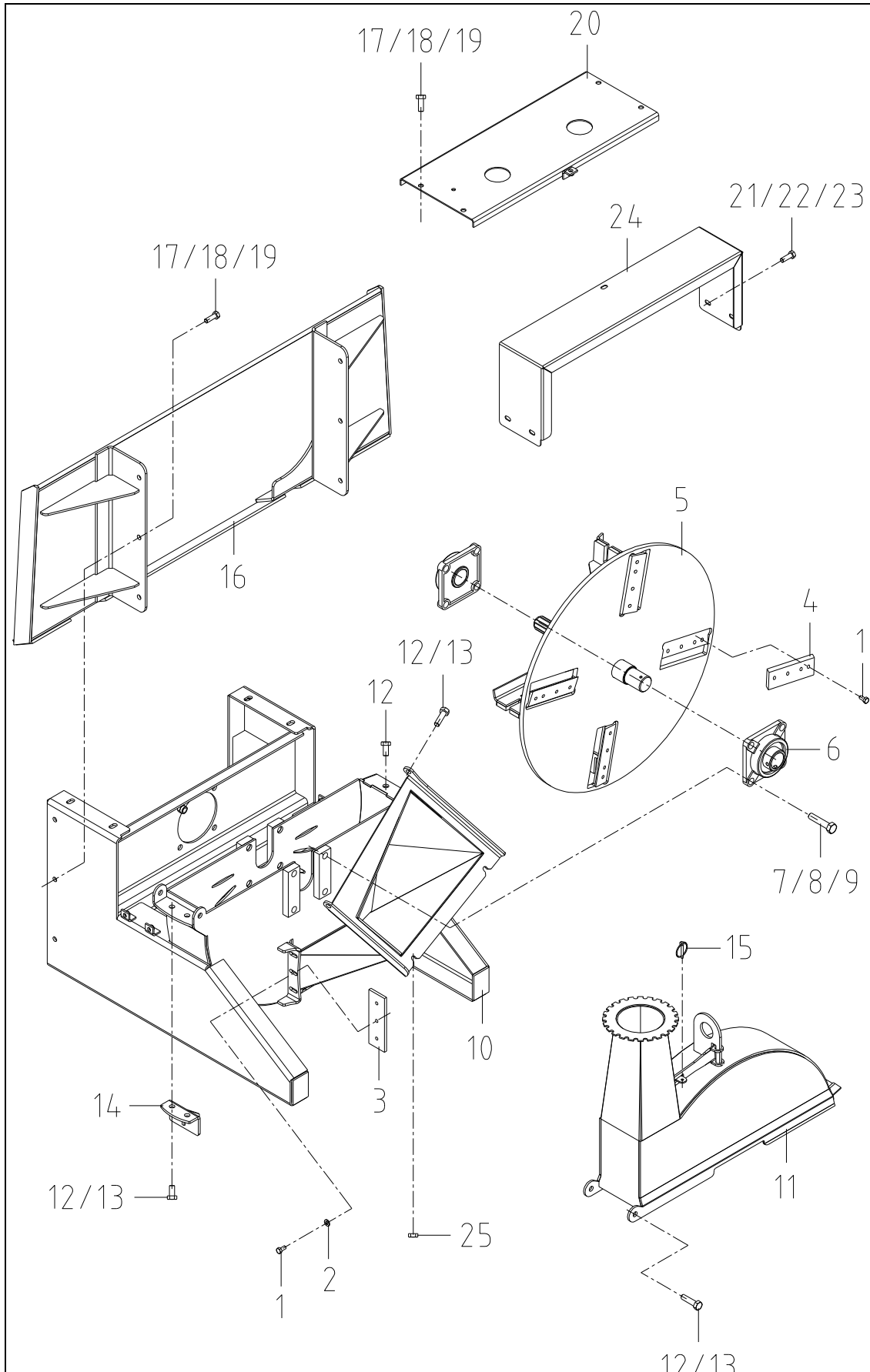


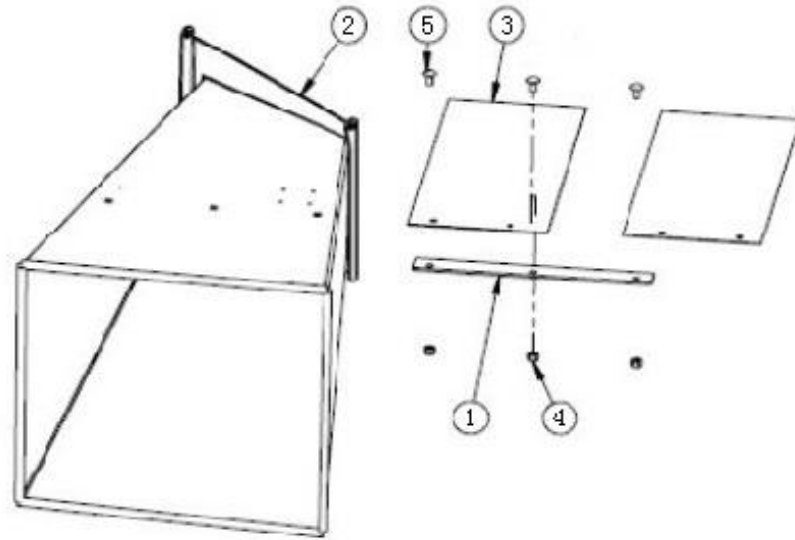
# 1.BX42HC Rotor and Frame



BX42HC Rotor and Frame

REF	PART NUMBER	DESCRIPTION	QTY
1	GB/T5786-2000	Bolt M8x1x16	19
2	GB/T97.1-2002	PlainWasher 8	3
3	1011M104	Knife, Ledger	1
4	1011M103	Knife, Rotor	4
5	1011W103	Rotor Weldment	1
6	GB/T	Bearing F208	2
7	GB/T5786-2000	Bolt M14x1.5x45	8
8	GB/T93-2002	SpringWasher 14	8
9	GB/T97.1-2002	PlainWasher 14	8
10	BX42HC.01.011	Frame Weldment	1
11	1011W102	Upper Weldment	1
12	GB/T5782-2000	Bolt M12x30	7
13	GB/T889.1-2000	Self Lock Nut M12	5
14	1011W104	Twig Breaker	1
15	JB/T	Latch Pin	1
16	BX42HC.01.012	Connect Block Weldment	1
17	GB/T5782-2000	Bolt M10x25	10
18	GB/T97.1-2002	PlainWasher 10	10
19	GB/T889.1-2000	Self Lock Nut M10	10
20	BX42HC.01.013	Upper Plate Weldment	1
21	GB/T5782-2000	Bolt M8x20	5
22	GB/T93-2002	SpringWasher 8	5
23	GB/T97.1-2002	PlainWasher 8	5
24	BX42HC.01.101	PTO Cover Plate	1
25	GB/T6177.1-2000	Nut M10	2

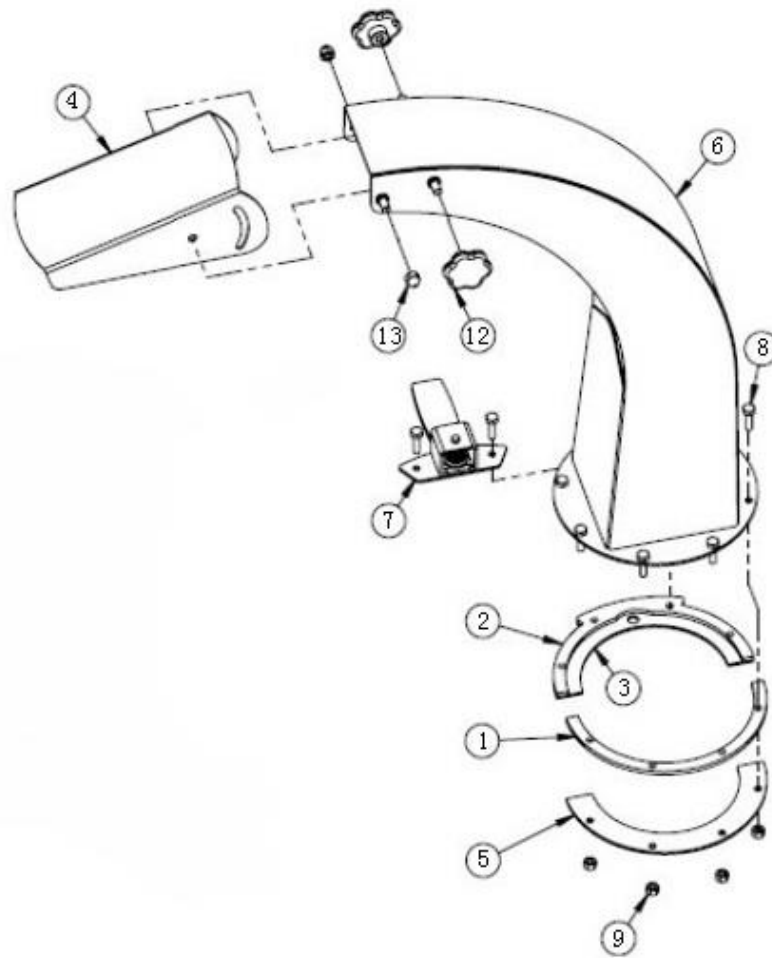
## BX42HC INFEED HOPPER SYSTEM



### BX42HC INFEED HOPPER SYSTEM PARTS LIST

REF	PART NUMBER	DESCRIPTION	QTY
1	1011L151	Strap, Hopper Flap	1
2	1011W107	Weldment, Infeed Hopper	1
3	1012S203	Flap, Hopper	2
4	GB/T889.1/M8	Lock Nut M8	3
5	GB/T12/M8x25	Carriage Bolt M8x25	3

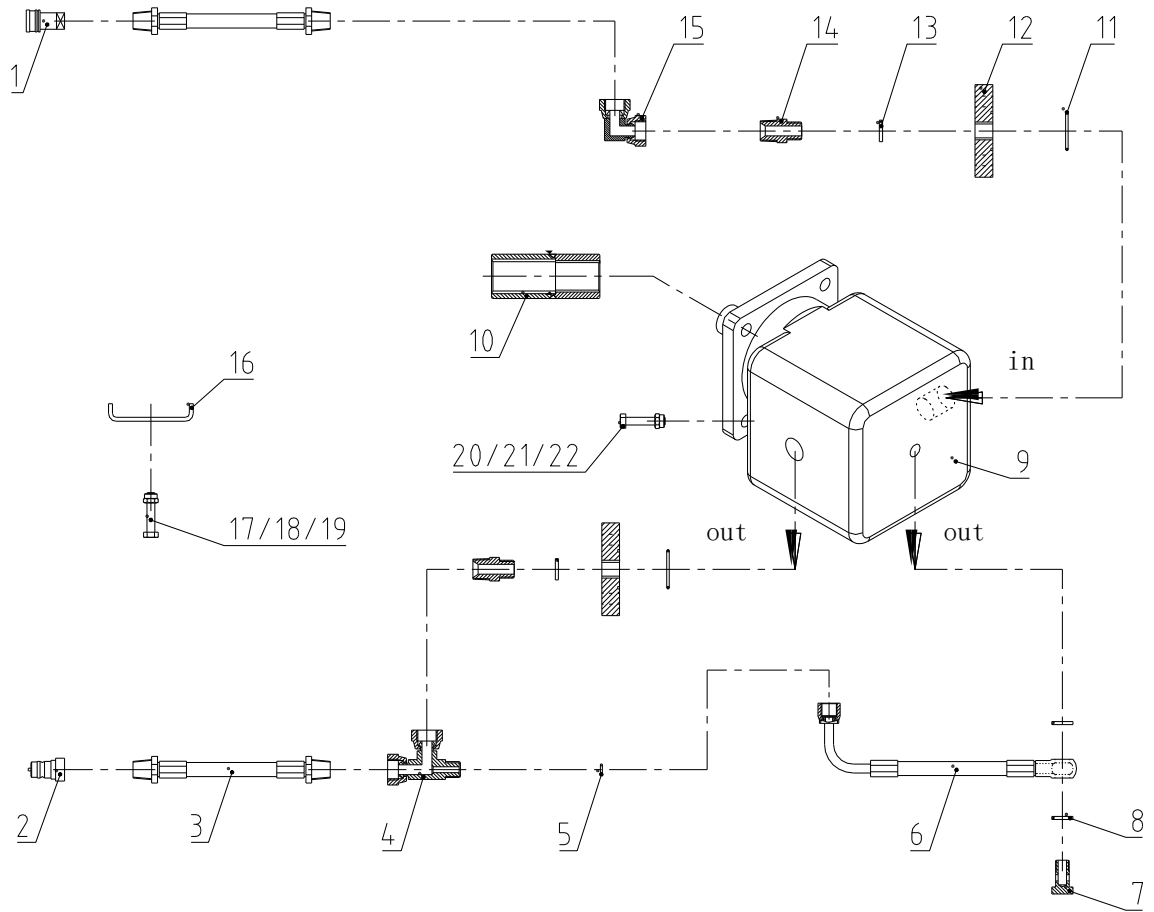
## BX42HC DISCHARGE CHUTE SYSTEM



### BX42HC DISCHARGE CHUTE SYSTEM PARTS LIST

REF	PART NUMBER	DESCRIPTION	QTY
1	1011L127	Plate, Spacer Ring	1
2	1011L129	Plate, Spacer Ring	1
3	1011L130	Plate, Hood Capture	1
4	1011L133	Deflector, Discharge Chute	1
5	1011L134	Plate, Hood Capture	1
6	1011W106	Discharge Chute	1
7	1012W208	Assembly, Hood Latch	1
8	GB/T5783/M6x20	Bolt M6x20	8
9	GB/T889.1/M6	Lock Nut M6	8
12	Z19313	Knob	2
13	GB/T802/M8	Acorn Nut M8	2

# BX42HC HYDRAULIC SYSTEM



## BX42HC HYDRAULIC SYSTEM PARTS LIST

REF	PART NUMBER	DESCRIPTION	QTY
1	WX410.017	Flat Quick Connector Male	1
2	WX410.018	Flat Quick Connector Female	1
3	BX42HC.04.011	Inlet & Outlet Oil Pipe	2
4	BX42HC.04.102	Oil Pipe Tee	1
5	GB/T3452.1-2000	O Ring 11x2.4	1
6	BX42HC.04.012	Oil Relief Pipe	1
7	GB/T5650	Banjo Bolt M14x1.5	1
8	JB/T982-2000	Combined Sealing Washer 14	2
9	CMZ2050-BF*S	Hydraulic Motor	1
10	BX42HC.04.101	Driving Sleeve	1
11	GB/T3452.1-92	O Ring 34.5x2.65	2
12	BX42HC.04.104	Assembly Plate	2
13	JB/T982-2000	Combined Sealing Washer 18	2
14	BX42HC.04.103	Connector M18-R1/2	2
15	BX42HC.04.105	Connector R1/2-R1/2	1
16	BX42HC.04.106	Fixed Plate	1
17	GB/T5782-2000	Hex Nut M8x45	1
18	GB/T97.1-2002	Plain Washer 8	1
19	GB/T889.1-2000	Lock Nut M8	1
20	GB/T5782-2000	Hex Bolt M12x40	4
21	GB/T97.1-2002	Plain Washer 12	4
22	GB/T889.1-2000	Lock Nut M12	4