



WWW.PALLETFORKS.COM

TITAN

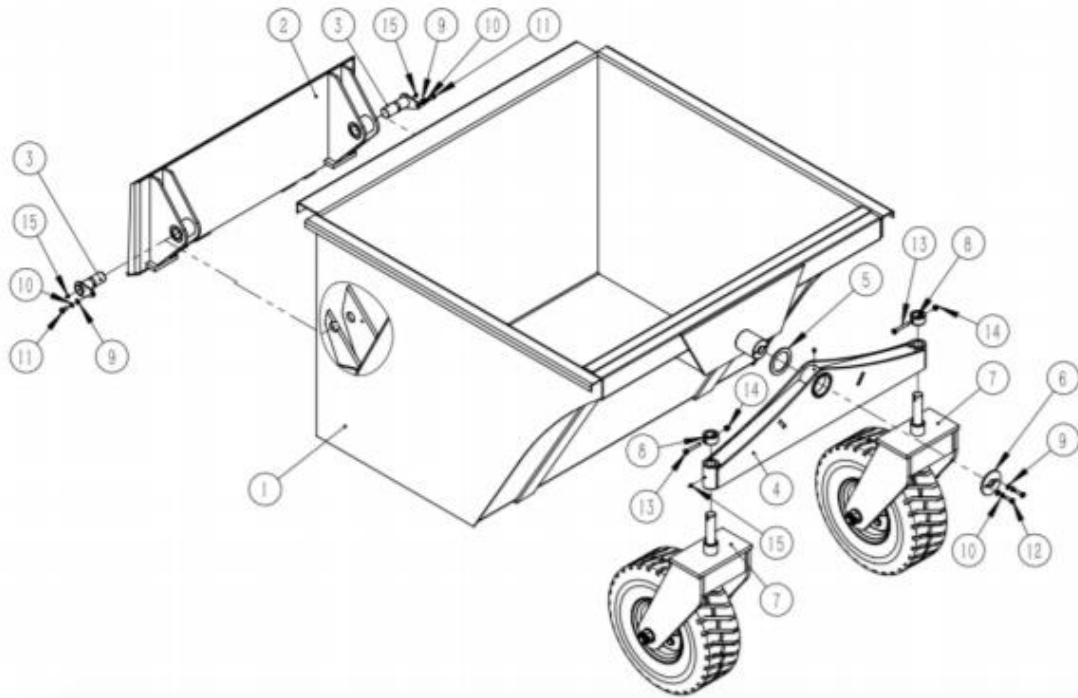
ATTACHMENTS



OWNER'S MANUAL

MPN(s): SSDMPHPv2

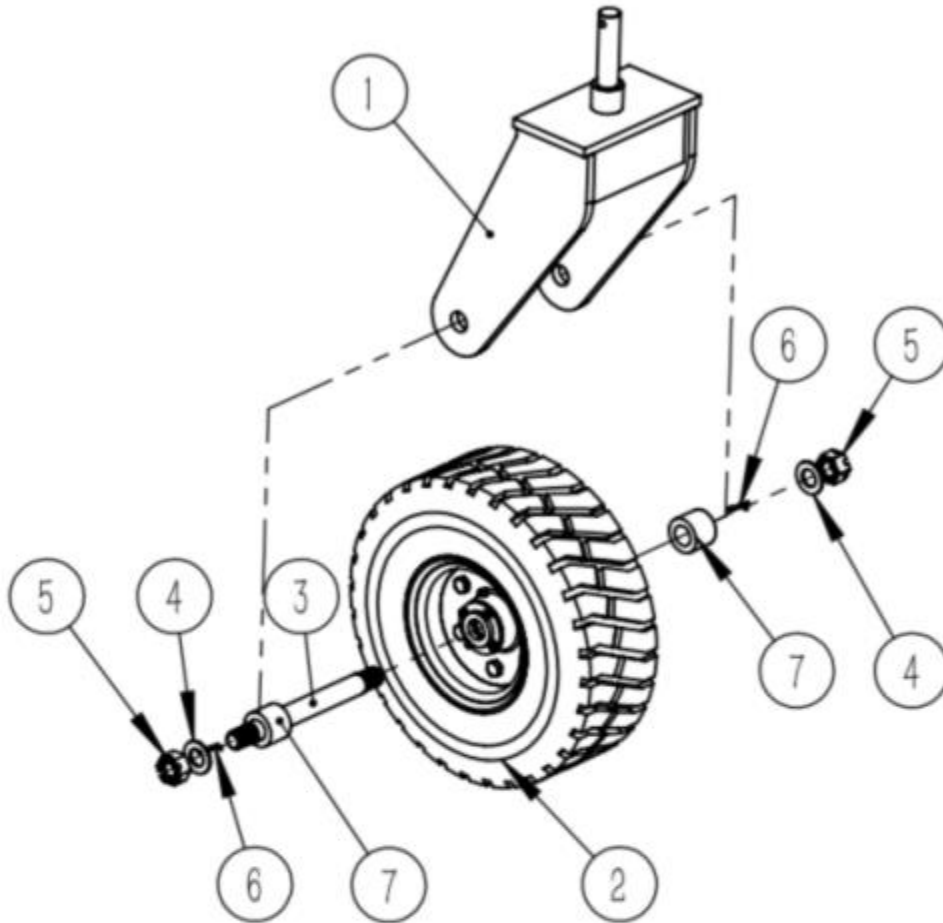
PARTS DIAGRAM / EXPLODED VIEW



| KEY | BOX | DESCRIPTION | QTY |
|------|--------------------|---------------------|-----|
| (1) | SSDM PHPV2.1 | Bucket | 1 |
| (2) | SSDM PHPV2.2 | Skid steer linkage | 1 |
| (3) | SSDM PHPV2.4 | Pin | 2 |
| (4) | SSDM PHPV2.3 | Wheel linkage | 1 |
| (5) | SSDM PHPV2.5 | Flat washer | 1 |
| (6) | SSDM PHPV2.6 | Cover | 1 |
| (7) | SSDM PHPV2.8 | Assembly wheel | 2 |
| (8) | SSDM PHPV2.7 | Space | 2 |
| (9) | GB/T 97.1 | Flat washer 10 | 4 |
| (10) | GB/T 93.1 | Spring washer 10 | 4 |
| (11) | GB/T 5783 | Hex bolt M10*20 | 2 |
| (12) | GB/T 5783 | Hex bolt M10*35 | 2 |
| (13) | GB/T 5782 | Hex bolt M10*70 | 2 |
| (14) | GB/T 889.1 | Lock nut M10 | 2 |
| (15) | JB / T 7940.1-1995 | Grease nipples M8*1 | 5 |



PARTS DIAGRAM / EXPLODED VIEW



| KEY | BOX | DESCRIPTION | QTY |
|-----|----------------|-----------------|-----|
| (1) | SSDM PHPV2.8.1 | Wheel Fork | 1 |
| (2) | SSDM PHPV2.8.2 | Tire | 1 |
| (3) | SSDM PHPV2.8.3 | Pin shaft | 1 |
| (4) | GB/T 97.1 | Flat washer | 2 |
| (5) | GB/T 9457 | Slotted nut | 2 |
| (6) | GB/T 91 | Cotter pin 5*50 | 2 |
| (7) | SSDM PHPV2.8.4 | Sleeve | 2 |



This concludes the SSDMPHPv2 Owner's Manual.

If applicable to your product, make sure to tighten all nut-and-bolt combinations before use.

Enjoy!

DISCLAIMER

This equipment must be used with care by capable and competent individuals under supervision, if necessary.

The use of any equipment, including this one, involves the potential risk of injury. You accept and assume full responsibility for any and all injuries, damages (both economic and non-economic), and losses of any type, which may occur, and you fully and forever release and discharge Titan, its insurers, employees, officers, directors, associates, and agents from any and all claims, demands, damages, rights of action, or causes of action, present or future, whether the same be known or unknown, anticipated, or unanticipated, resulting from or arising out of the use of said equipment.

TITAN MAKES NO WARRANTY WHATSOEVER WITH RESPECT TO THE EQUIPMENT, INCLUDING ANY WARRANTY OF MERCHANTABILITY OR WARRANTY OF FITNESS FOR A PARTICULAR PURPOSE, WHETHER EXPRESS OR IMPLIED BY LAW, COURSE OF DEALING, COURSE OF PERFORMANCE, USAGE OF TRADE OR OTHERWISE. BUYER ASSUMES ALL LIABILITY IN USE OF THE EQUIPMENT.

NEED HELP?

CONTACT US FIRST.

1 (800) 605-8241

info@titandistributorsinc.com / www.palletforks.com

Business Hours: Monday–Friday • 8:00 a.m.–5:00 p.m. (CT)

