

12. PART ILLUSTRATIONS

GENERAL INFORMATION

Illustrations

The individual parts in their normal relationship to each other. Reference numbers are used in the illustrations. These numbers correspond to those in the "Number" column and are followed by the quantity required and description.

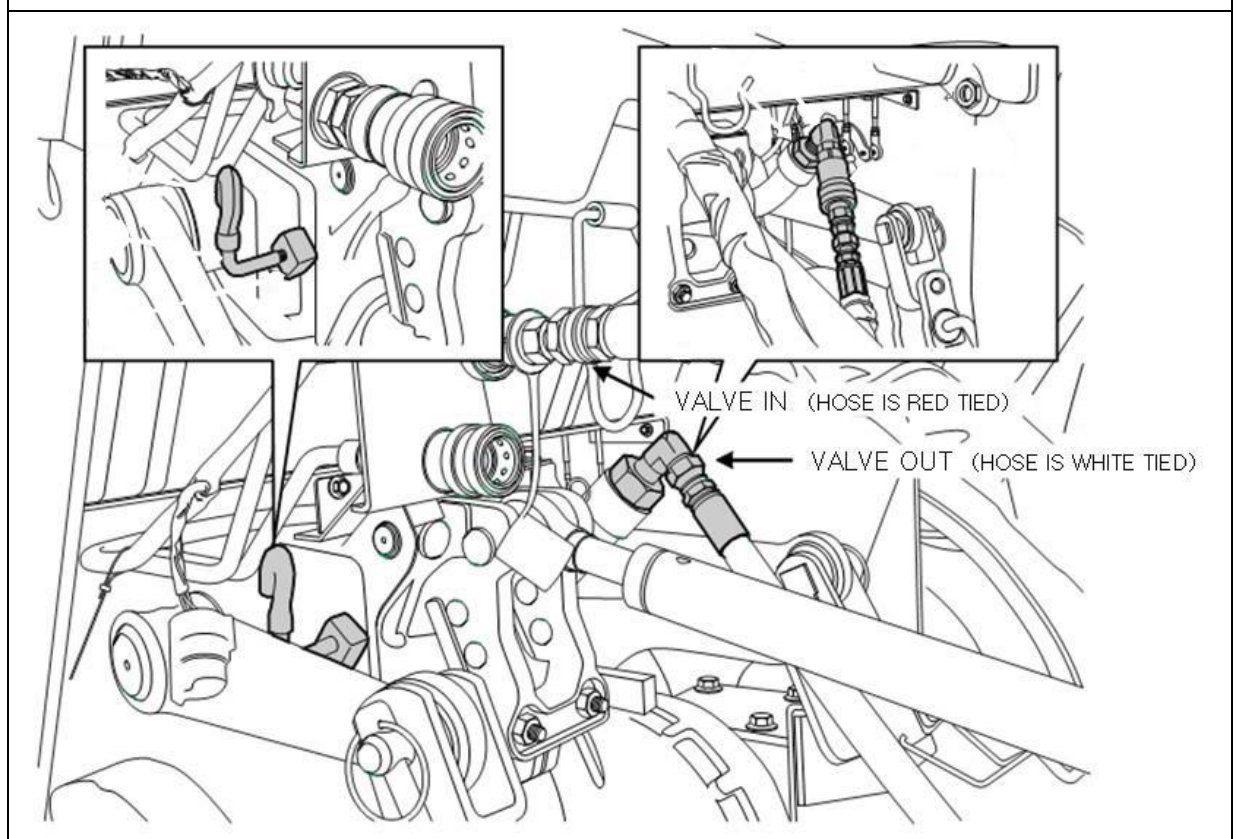
Directional Reference

"Right hand" and "left hand" sides are determined by standing at the rear of the unit and facing in the direction of forward travel.

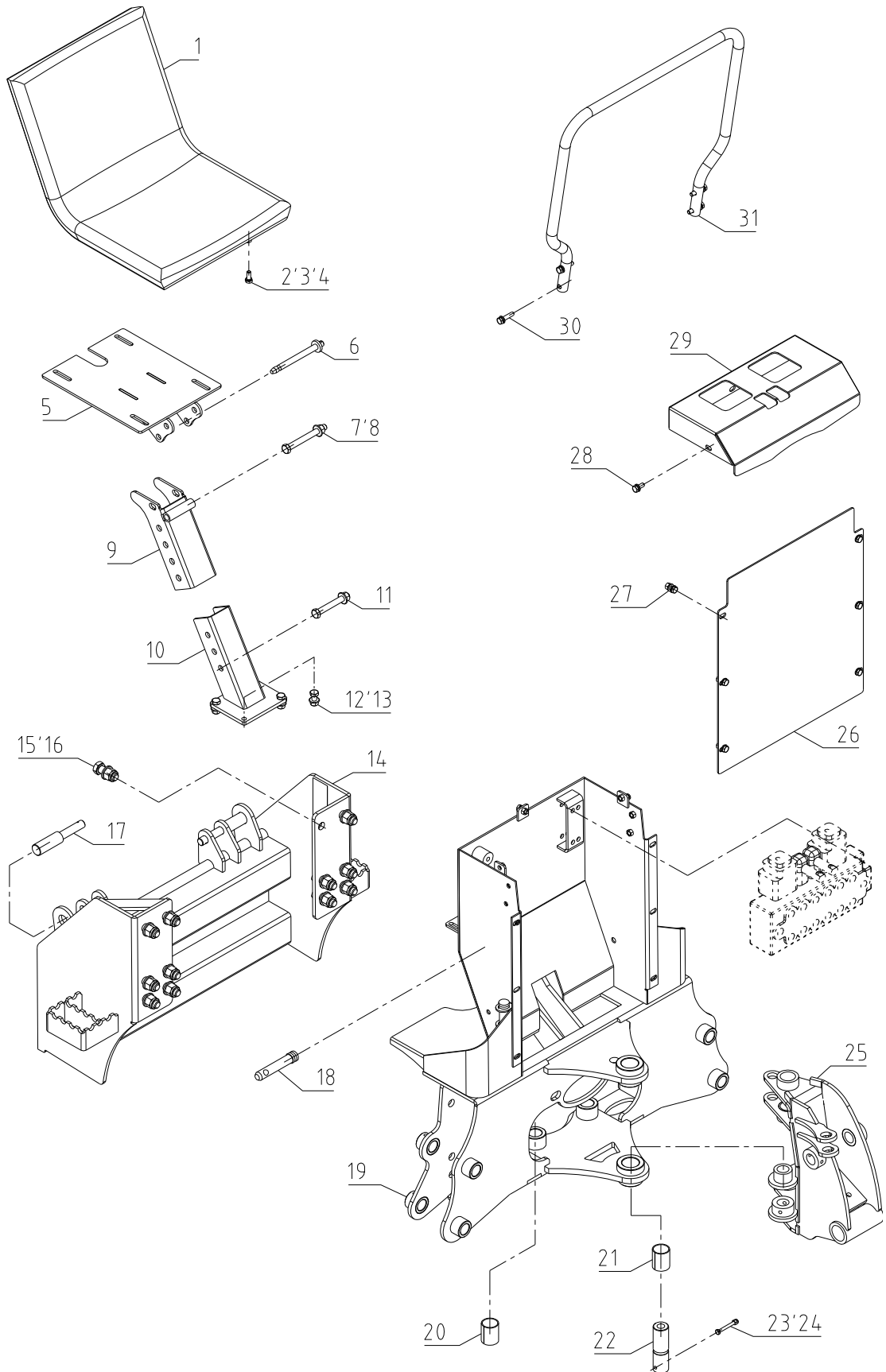
Part Order

Orders must give the complete description, correct part number, the total amount required, the product model, all the necessary serial numbers, the method of shipment and the shipping address.

12.1 IN-OUT HOSE KIT

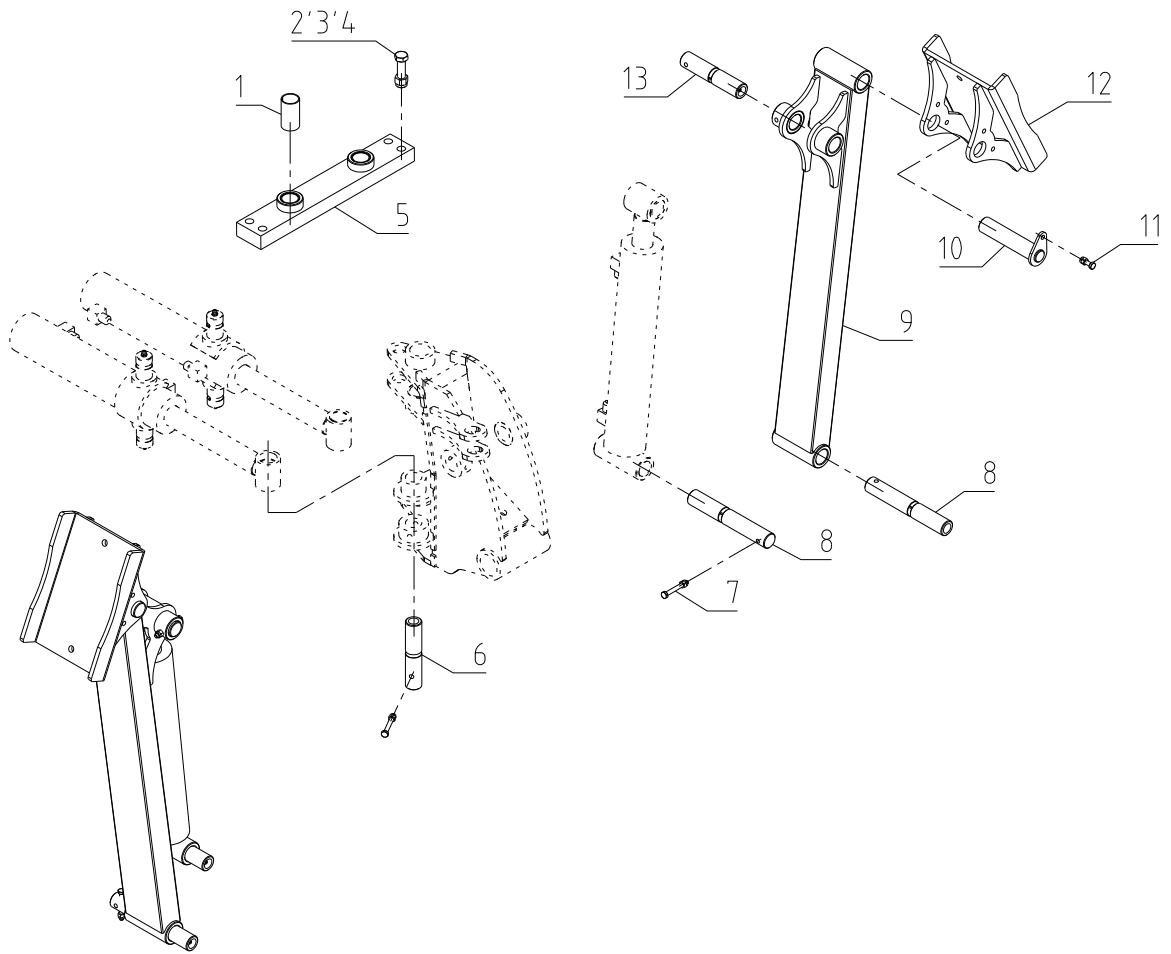


12.2 SEAT, CONTROL ASSEMBLY



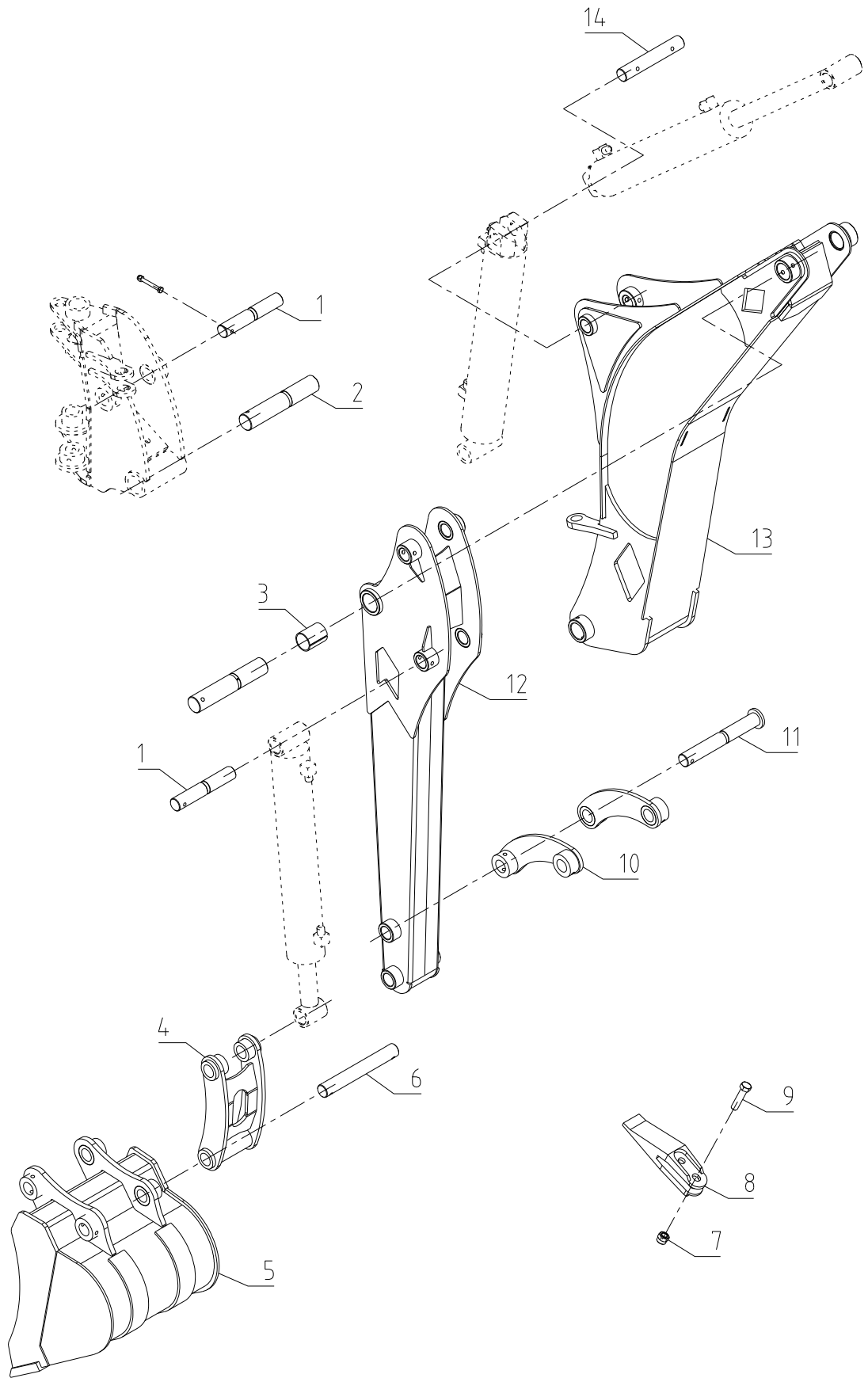
No	PART No	DESCRIPTION		Q'TY	REM.K
1	BK215.033	Seat		1	
2	GB/T5782-2000	Bolt-M8x20		4	
3	GB/T93-2002	Spring Washer 8		4	
4	GB/T97.1-2002	Plain Washer 8		4	
5	BK175.1000.900	Seat Plate Weldment		1	
6	BK175.1000.006	Pin- Seat Adjust		1	
7	GB/T5782-2000	Bolt-M12x110		1	
8	GB/T889.1-2000	Nut Lock -M12		2	
9	BK175.1000.1500	Seat Frame Weldment		1	
10	BK175.1000.800	Seat Base Weldment		1	
11	GB/T5782-2000	Bolt-M12x90		1	
12	GB/T5782-2000	Bolt-M10x25		4	
13	GB/T889.1-2000	Nut Lock -M10		4	
14	BK175.1000.1000	Base Weldment		1	
15	GB/T5782-2000	Bolt-M16x45		12	
16	GB/T889.1-2000	Nut Lock -M16		12	
17	BK175.1000.1600	Pin-Low Suspension		2	
18	BK175.1000.0005	Pin-Safety		3	
19	BK175.1000.400	Contral Base Weldment		1	
20	BK175.1000.004	Copper Sleeve(28x25)		2	
21	BK175.1000.015	Copper Sleeve(36x32)		2	
22	BK175.1000.014	Pin-Swing Arm		2	
23	GB/T5782-2000	Bolt-M6x55		2	
24	GB/T889.1-2000	Nut Lock -M6		2	
25	BK175.1000.300	Swing Base Weldment		1	
26	BK175.1000.007	Cover Plate		1	
27	GB/T5782-2000	Bolt-M8x20		6	
28	GB/T5782-2000	Bolt-M8x20		2	
29	BK215.105	Top Cover		1	
30	GB/T5782-2000	Bolt-M8x35		4	
31	BK215.107	Guide Bar		1	

12.3 LEG SUPPORT ASSEMBLY



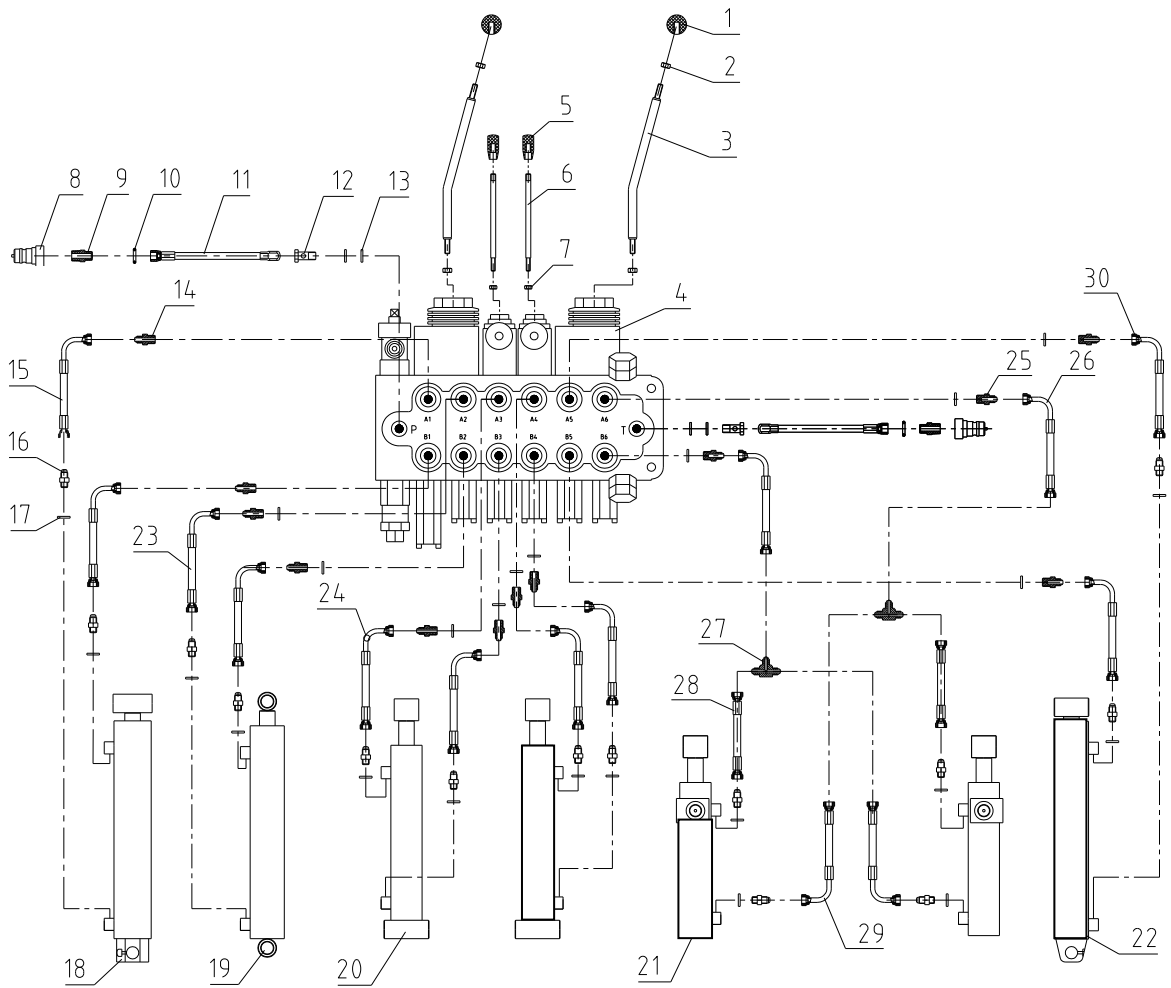
No	PART No	DESCRIPTION		Q'TY	REM.K
1	BK175.1000.001	Copper Sleeve(28x25)		2	
2	GB/T5782-2000	Bolt-M12x50		4	
3	GB/T97.1-2002	Plain Washer 12		4	
4	GB/T889.1-2000	Nut Lock-M12		4	
5	BK175.1000.700	Swing Cylinder Base		1	
6	BK175.1000.013	Pin-Swing Cylinder		2	
7	GB/T5782-2000	Bolt-M6x50		6	
8	BK175.1000.002	Pin-Leg Support 1		4	
9	BK175.1000.500	Leg Support Weldment		2	
10	BK175.1000.1400	Pin- Foot Plate		2	
11	GB/T5782-2000	Bolt-M6x20		2	
12	BK175.1000.600	Foot Plate Weldment		2	
13	BK175.1000.003	Pin-Leg Support 2		2	

12.4 BUCKET, DIPPERSTICK ASSEMBLY



No	PART No	DESCRIPTION		Q'TY	REM.K
1	BK175.1000.010	Pin-Dipperstick 1		3	
2	BK175.1000.009	Pin-Dipperstick 2		2	
3	BK175.1000.015	Copper Sleeve(36x32)		2	
4	BK175.1000.1300	Inner Link Weldment		1	
5	BK175.1000.1100	Bucket Weidment		1	
6	BK175.1000.011	Pin-Bucket 2		2	
7	GB/T889.1-2000	Nut Lock -M12		3	
8	BK6N.01.105	Bucket Teeth		3	
9	GB/T5782-2000	Bolt-M12x45		3	
10	BK175.1000.1200	Outer Link Weldment		2	
11	BK175.1000.012	Pin-Bucket 1		2	
12	BK175.1000.100	Dipperstick Weldment		1	
13	BK175.1000.200	Boom Weldment		1	
14	BK175.1000.008	Pin-Boom		1	
15					
16					
17					
18					
19					
20					
21					
22					

12.5 HOSE FITTING ASSEMBLY



No	PART No	DESCRIPTION		Q'TY	REM.K
1	JB/T7271.1-2000	Plastic Ball-M10x32		2	
2	GB/T6172.1-2000	Nut-M10		4	
3	BK215.040	Hand Lever		2	
4	HC-TR55/6	Control Valve		1	
5	JB/T7271.5-2000	Plastic Ball-M10x50		2	
6	BK215.401	Lever stick		2	
7	GB/T6172.1-2000	Nut-M8		6	
8	GB/T8606-2000	Quick Coupler-G1/2-M		2	
9	BL25.40.102	Adapter, M18-R1/2		2	
10	GB/T3452.1-2000	O-Ring, 13x2.4		2	
11	BK175.2000.100	Hose-Valve To In Out		2	
12	BK215.403	Hollow Bolt-G3/8		2	
13	JB/T982-2000	Copper Washer 18		16	

