



WWW.PALLETFORKS.COM
TITAN
ATTACHMENTS



OWNER'S MANUAL

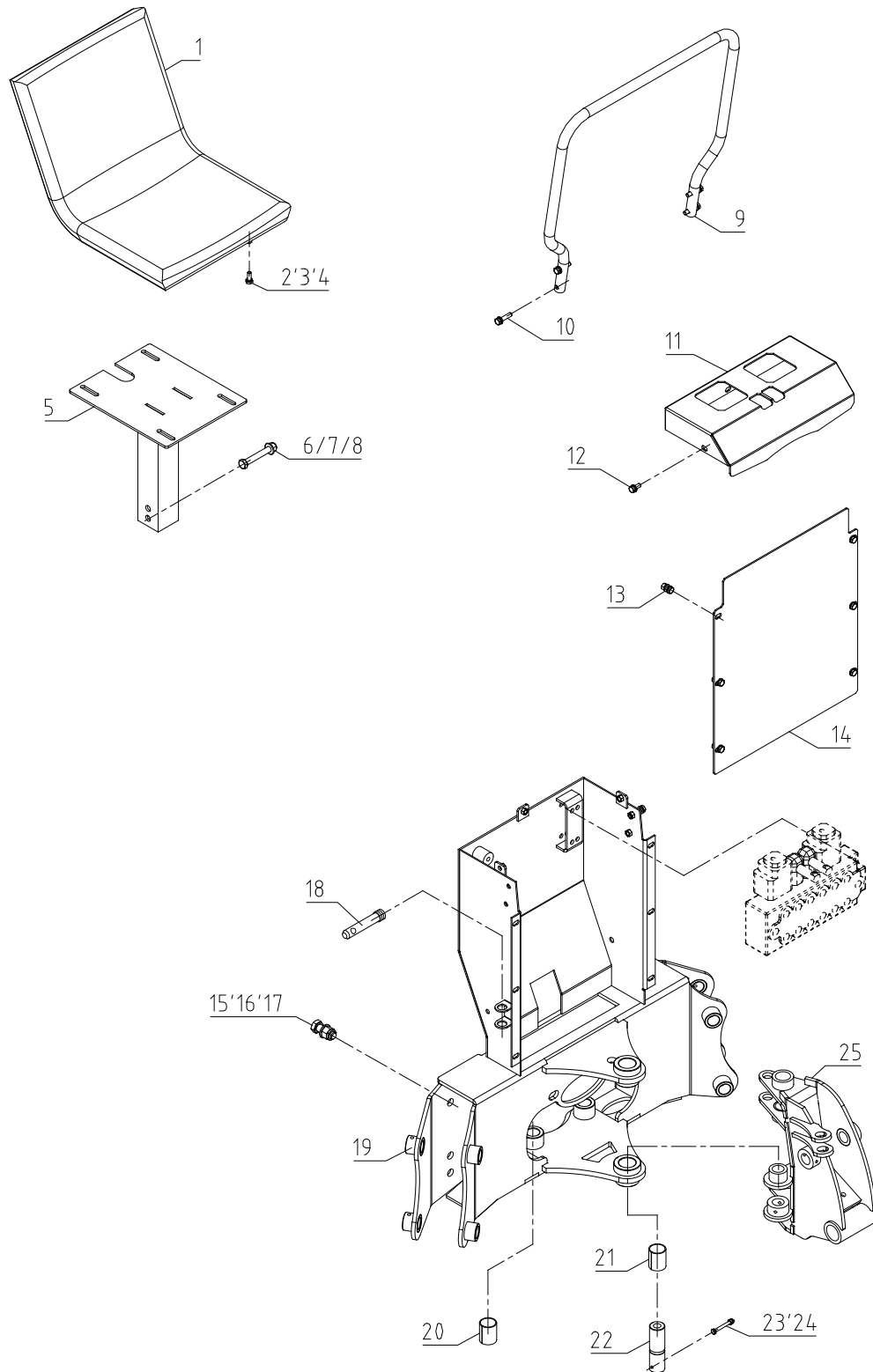
MPN(s): TOWBK175

SKU(s): 122502

UPC(s): 840009208461

PARTS DIAGRAM / EXPLODED VIEW

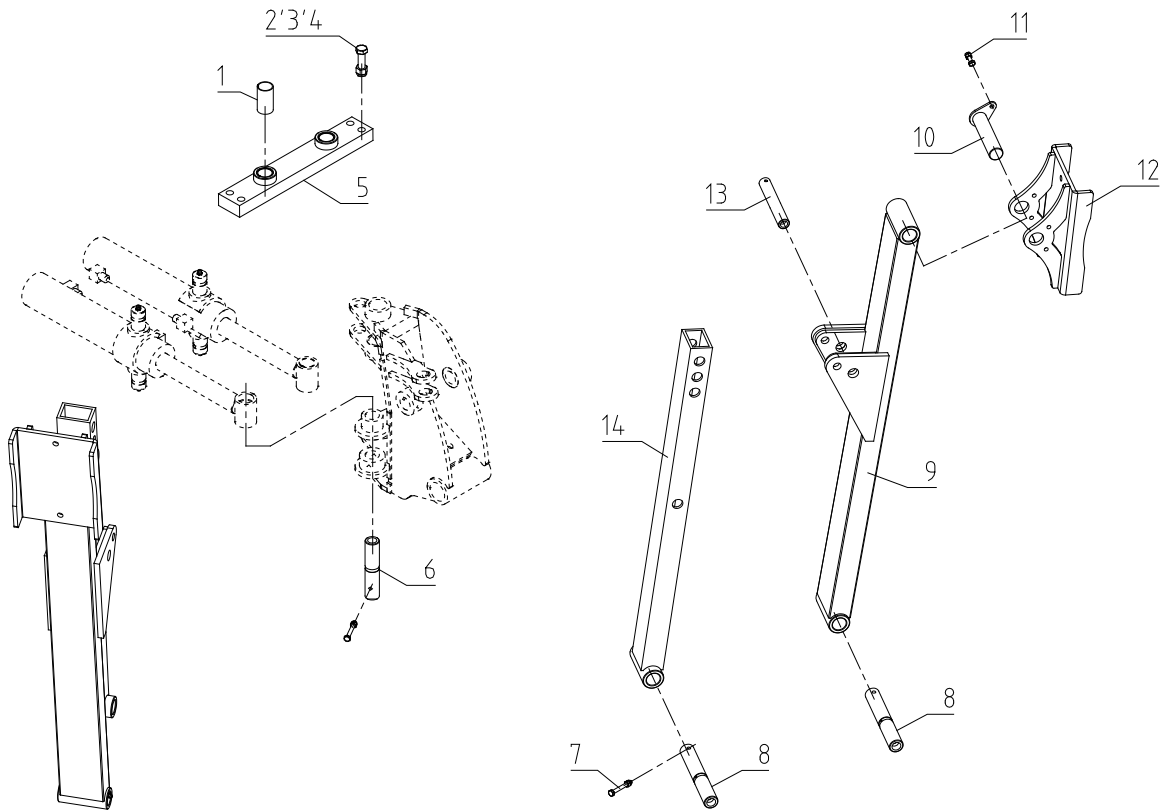
1. SEAT CONTROL ASSEMBLY



No	PART No	DESCRIPTION	Q'TY	REM.K
1	BK215.033	Seat	1	
2	GB/T5782-2000	Bolt-M8x20	4	
3	GB/T93-2002	Spring Washer 8	4	
4	GB/T97.1-2002	Plain Washer 8	4	
5	BKT175.02.900	Seat Plate Weldment	1	
6	GB/T5782-2000	Bolt-M12x90	2	
7	GB/T97.1-2002	Plain Washer 12	2	
8	GB/T889.1-2000	Nut Lock -M12	2	
9	BK215.107	Guide Bar	1	
10	GB/T5782-2000	Bolt-M8x35	4	
11	BK215.105	Top Cover	1	
12	GB/T5782-2000	Bolt-M8x20	2	
13	GB/T5782-2000	Bolt-M8x20	6	
14	BK175.1000.007	Cover Plate	1	
15	GB/T5782-2000	Bolt-M16x45	6	
16	GB/T97.1-2002	Plain Washer 16	6	
17	GB/T889.1-2000	Nut Lock -M16	6	
18	BK175.1000.0005	Pin-Safety	2	
19	BKT175.02.400	Control Base Weldment	1	
20	BK175.1000.004	Copper Sleeve (28*25*45)	2	
21	BK175.1000.015	Copper Sleeve(36x32)	2	
22	BK175.1000.014	Pin-Swing Arm	2	
23	GB/T5782-2000	Bolt-M6x55	2	
24	GB/T889.1-2000	Nut Lock -M6	2	
25	BK175.1000.300	Swing Base Weldment	1	

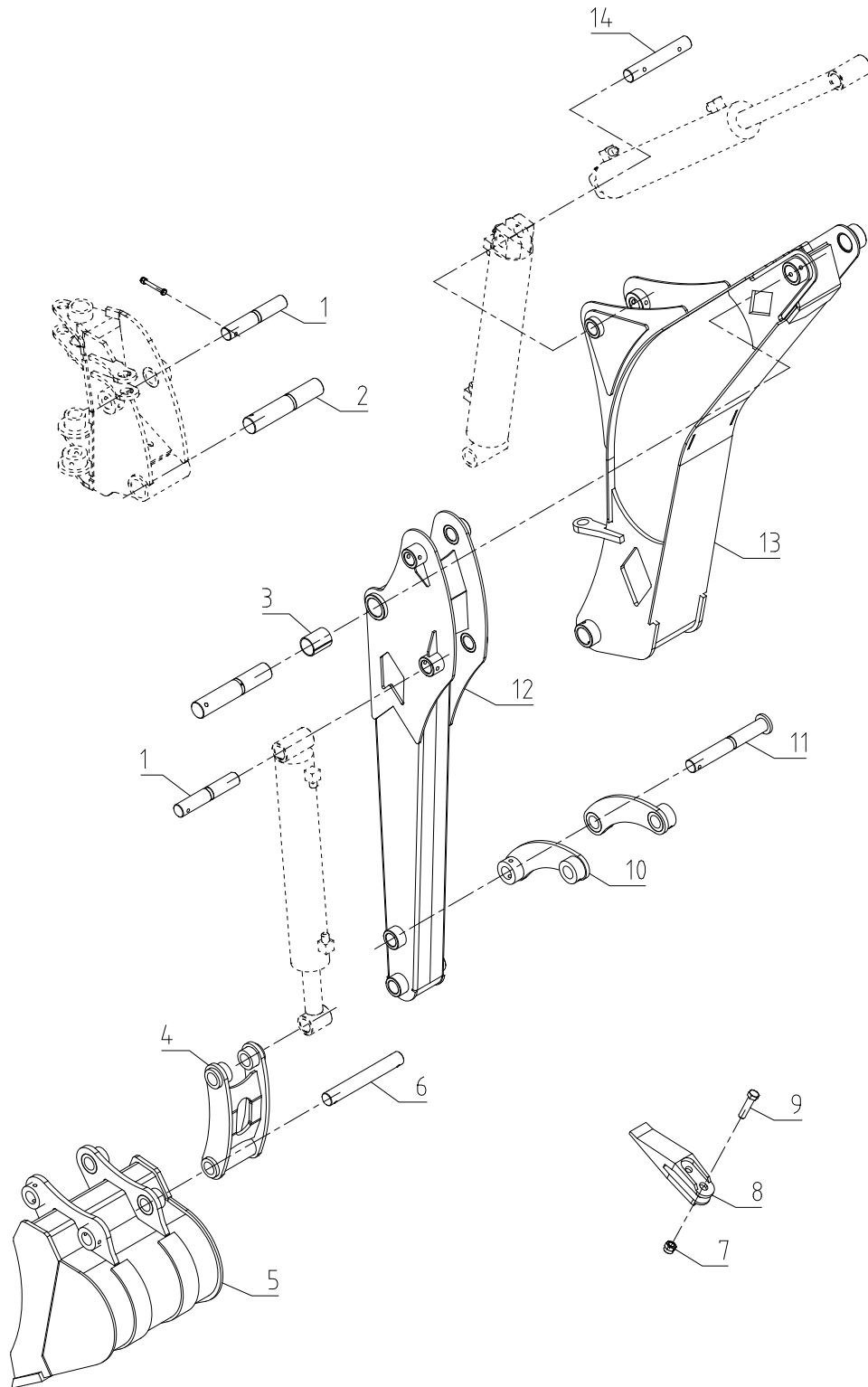


2. LEG SUPPORT ASSEMBLY



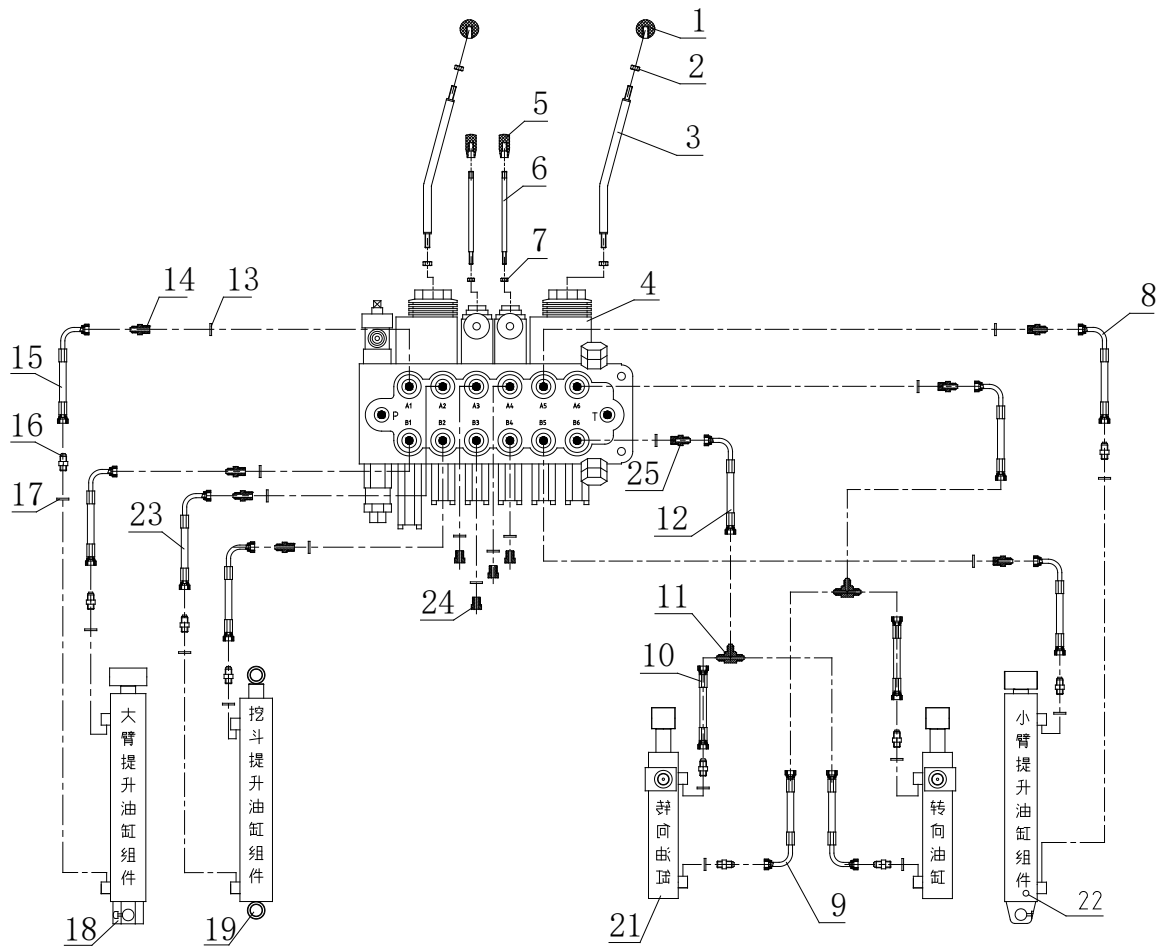
No	PART No	DESCRIPTION	Q'TY	REM.
1	BK175.1000.001	Copper Sleeve(28*25*38)	2	
2	GB/T5782-2000	Bolt-M12x50	4	
3	GB/T97.1-2002	Plain Washer 12	4	
4	GB/T889.1-2000	Nut Lock-M12	4	
5	BK175.1000.700	Swing Cylinder Base	1	
6	BK175.1000.013	Pin-Swing Cylinder	2	
7	GB/T5782-2000	Bolt-M6x50	6	
8	BK175.1000.002	Pin-Leg Support 1	4	
9	BKT175.02.500	Leg Support Weldment	2	
10	BK175.1000.1400	Pin- Foot Plate	2	
11	GB/T5782-2000	Bolt-M6x20	2	
12	BK175.1000.600	Foot Plate Weldment	2	
13	BKT175.02.101	Pin-Leg Support	2	
14	BKT175.02.800	Foot support tube Weldment	1	

3. BUCKET, DIPPERSTICK ASSEMBLY



No	PART No	DESCRIPTION	Q'TY	REM.K
1	BK175.1000.010	Pin-Dipper stick 1	3	
2	BK175.1000.009	Pin-Dipper stick 2	2	
3	BK175.1000.015	Copper Sleeve(36x32)	2	
4	BK175.1000.1300	Inner Link Weldment	1	
5	BK175.1000.1100	Bucket Weldment	1	
6	BK175.1000.011	Pin-Bucket 2	2	
7	GB/T889.1-2000	Nut Lock -M12	3	
8	BK6N.01.105	Bucket Teeth	3	
9	GB/T5782-2000	Bolt-M12x45	3	
10	BK175.1000.1200	Outer Link Weldment	2	
11	BK175.1000.012	Pin-Bucket 1	2	
12	BK175.1000.100	Dipper stick Weldment	1	
13	BK175.1000.200	Boom Weldment	1	
14	BK175.1000.008	Pin-Boom	1	

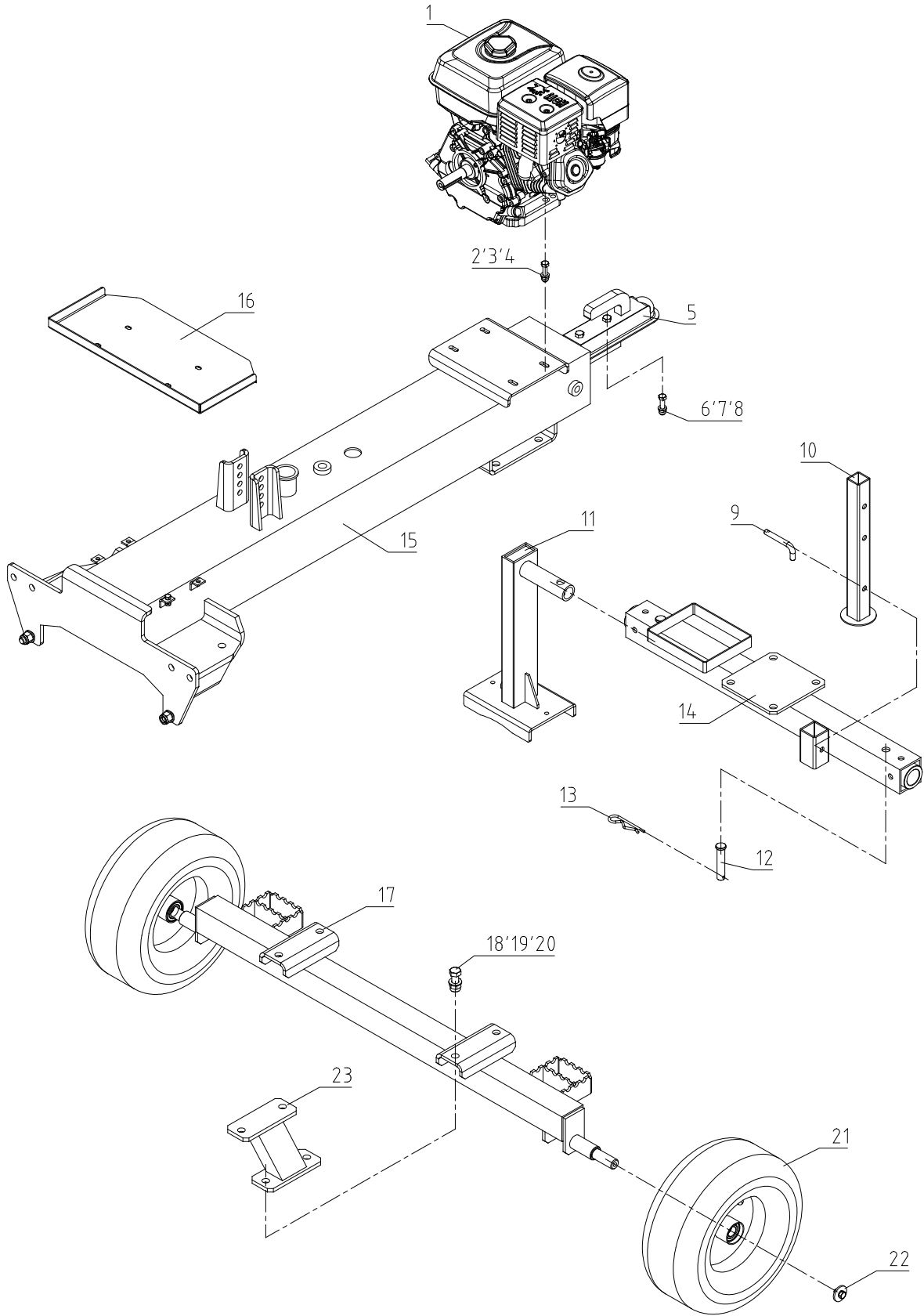
4. HOSE FITTING ASSEMBLY



No	PART No	DESCRIPTION	Q'TY	REM.K
1	JB/T7271.1-2000	Plastic Ball-M10x32	2	
2	GB/T6172.1-2000	Nut-M10	4	
3	BK215.040	Hand Lever	2	
4	HC-TR55/6	Control Valve	1	
5	JB/T7271.5-2000	Plastic Ball-M10x50	2	
6	BK215.401	Lever stick	2	
7	GB/T6172.1-2000	Nut-M8	6	
8	BK175.2000.1200	Hose- Dipper stick	2	
9	BK175.2000.1300	Hose- Swing to Tee2	2	
10	BK175.2000.1100	Hose- Swing to Tee1	2	
11	BK175.2000.0001	Tee join	2	
12	BK175.2000.1000	Hose-Valve to Adapter	2	
13	JB/T982-2000	Copper Washer 18	12	
14	BK215.405	Adapter, M14Z-G3/8	8	
15	BK175.2000.200	Hose-Valve To Boom	2	
16	BK6N.06.104	Adapter, M14Z-M14	12	
17	JB/T982-2000	Copper Washer 14	12	
18	BK175.2000.300	Boom Cylinder	1	
19	BK175.2000.400	Bucket Cylinder	1	
21	BK175.2000.600	Swing Cylinder	2	
22	BK175.2000.700	Dipper stick Cylinder	1	
23	BK175.2000.800	Hose-Bucket	2	
24	BKT175.04.101	Plug G3/8	4	
25	BK215.408	Adapter, M14Z-G3/8	4	



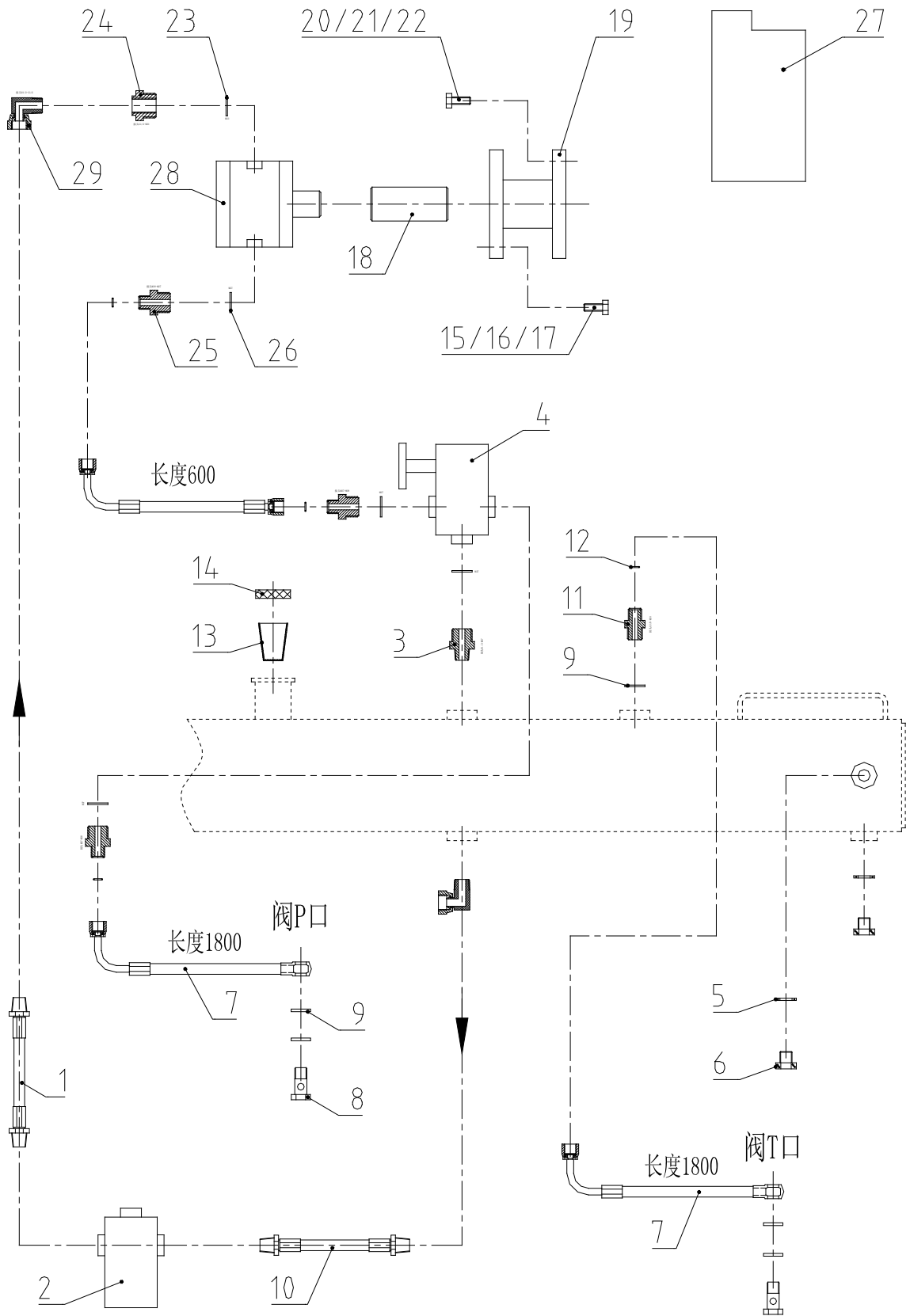
5. OIL TANK ASSEMBLY



No	PART No	DESCRIPTION	Q'TY	REM.K
1	25T237	Engine 13.5HP	1	
2	GB/T5782-2000	Bolt-M10x45	4	
3	GB/T97.1-2002	Plain Washer 10	4	
4	GB/T889.1-2000	Nut Lock -M10	4	
5	GM-8610	Trailer cover	1	
6	GB/T5782-2000	Bolt-M12x100	2	
7	GB/T97.1-2002	Plain Washer 12	2	
8	GB/T889.1-2000	Nut Lock -M12	2	
9	1G135.00107	Bent pin	1	
10	AGF140.011	Support foot Weldment	1	
11	BKT175.03.012	Front foot Weldment	2	
12	BKT175.03.103	Pin-front foot	2	
13	RX-φ5	R pinφ5	2	
14	BKT175.03.013	Support beam	1	
15	BKT175.03.011	Oil tank Weldment	1	
16	BKT175.03.104	Footboard	1	
17	BKT175.03.014	Tire bracket Weldment	1	
18	GB/T5782-2000	Bolt-M16x45	12	
19	GB/T97.1-2002	Plain Washer 16	12	
20	GB/T889.1-2000	Nut Lock -M16	12	
21	4P/TL16x6.5-8	Tire 16*6.5-8	2	
22	GB/T5782-2000	Bolt-M10x20	2	
23	BKT175.03.015	Tilt bracket Weldment	2	



6. OIL PUMP ASSEMBLY



No	PART No	DESCRIPTION	Q'TY	REM.K
1	BKT175.05.112	Hose-filter-pump	1	
2	LYQ	Oil filter	1	
3	BKT175.05.106	Adapter, M27-R1/2	1	
4	YF-L20H4	Relief valve	1	
5	JB/T982-2000	Copper Washer 16	2	
6	1GN230.02.117	Plug	2	
7	BKT175.05.110	Hose-valve in	2	
8	BK215.403	Hollow bolt G3/8	2	
9	JB/T982-2000	Copper Washer 17	4	
10	BKT175.05.111	Hose-filter-tank	1	
11	BKT175.05.101	Adapter, M18-G3/8	1	
12	GB/T3452.1-00	O ring 13*8.2*2.4	3	
13	BK6N.06.123	Oil tank cap	1	
14	BK6N	Oil filter net	1	
15	GB/T5782-2000	Bolt-M10x60	2	
16	GB/T97.1-2002	Plain Washer 10	2	
17	GB/T93-2002	Spring Washer 10	2	
18	BKT175.05.102	Pump shaft	1	
19	BKT175.05.011	Drive sleeve Weldment	1	
20	GB/T5782-2000	Bolt-M12x60	4	
21	GB/T97.1-2002	Plain Washer 12	4	
22	GB/T93-2002	Spring Washer 12	4	
23	JB/T982-2000	Copper Washer 33	1	
24	BKT175.05.103	Adapter, G1/2-M33	1	
25	BKT175.05.104	Adapter, M18-M27	3	
26	JB/T982-2000	Copper Washer 27	4	
27	V-36A	Battery	1	
28	CBTZTA-F08	Pump	1	
29	WX310.016	Adapter, R1/2-G1/2	2	



Illustrations

The individual parts in their normal relationship to each other. Reference numbers are used in the illustrations. These numbers correspond to those in the "Number" column and are followed by the quantity required and description.

Directional Reference

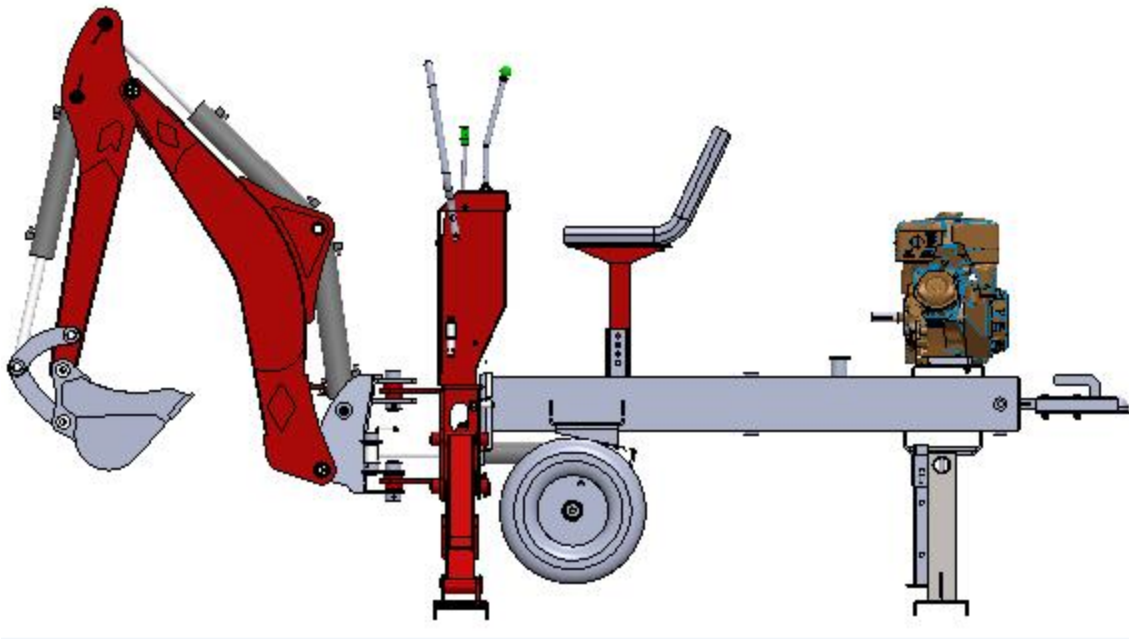
"Right hand" and "left hand" sides are determined by standing at the rear of the unit and facing in the direction of forward travel.

Part Order

Orders must give the complete description, correct part number, the total amount required, the product model, all the necessary serial numbers, the method of shipment and the shipping address.



ASSEMBLY INSTRUCTIONS



It is very important that you read the manual to be familiar with this product before you begin using it.

1. Make sure all parked machines are on a hard, level surface and engage all safety devices.
2. Do not lift heavy parts or assemblies. Use crane, jack, tackle, fork trucks or other mechanical devices.
3. Check the part list carefully and ensure all parts included.
4. The backhoe is almost assembled well before delivery, just do simple assembly according to part list.
5. After completing assembly, thoroughly inspect the machine to be sure that all nuts, bolts, hydraulic fittings or any other fastened assemblies have been thoroughly tightened.
6. Before operating equipment if you have any question regarding the proper assembly or operation, contact your dealer or representative.

EQUIPMENT SAFETY GUIDELINES

1. Never use alcoholic beverages or drugs which can hinder alertness or coordination while operating this equipment. Consult your doctor about operating this machine while taking prescription medications.
2. Review the safety instructions with all users annually.
3. This equipment is dangerous to children and persons unfamiliar with its operation. The



operator should be a responsible adult familiar with farm machinery and trained in this equipment's operations. Do not allow persons to operate or assemble this unit until they have read this manual and have developed a thorough understanding of the safety precautions and of how works.

4. Never exceed the limits of a piece of machinery.
5. Do not modify the equipment in any way. Unauthorized modification may impair the function and could affect the life of equipment.





*This concludes the TOWBK175 Owner's Manual.
If applicable to your product, make sure to tighten all
nut-and-bolt combinations before use.*

Enjoy!

DISCLAIMER

This equipment must be used with care by capable and competent individuals under supervision, if necessary.

The use of any equipment, including this one, involves the potential risk of injury. You accept and assume full responsibility for any and all injuries, damages (both economic and non-economic), and losses of any type, which may occur, and you fully and forever release and discharge Titan, its insurers, employees, officers, directors, associates, and agents from any and all claims, demands, damages, rights of action, or causes of action, present or future, whether the same be known or unknown, anticipated, or unanticipated, resulting from or arising out of the use of said equipment.

TITAN MAKES NO WARRANTY WHATSOEVER WITH RESPECT TO THE EQUIPMENT, INCLUDING ANY WARRANTY OF MERCHANTABILITY OR WARRANTY OF FITNESS FOR A PARTICULAR PURPOSE, WHETHER EXPRESS OR IMPLIED BY LAW, COURSE OF DEALING, COURSE OF PERFORMANCE, USAGE OF TRADE OR OTHERWISE. BUYER ASSUMES ALL LIABILITY IN USE OF THE EQUIPMENT.

NEED HELP?

CONTACT US FIRST.

1 (800) 605-8241

info@titandistributorsinc.com / www.palletforks.com

Business Hours: Monday–Friday • 8:00 a.m.–5:00 p.m. (CT)

