



WWW.PALLETFORKS.COM
TITAN
ATTACHMENTS



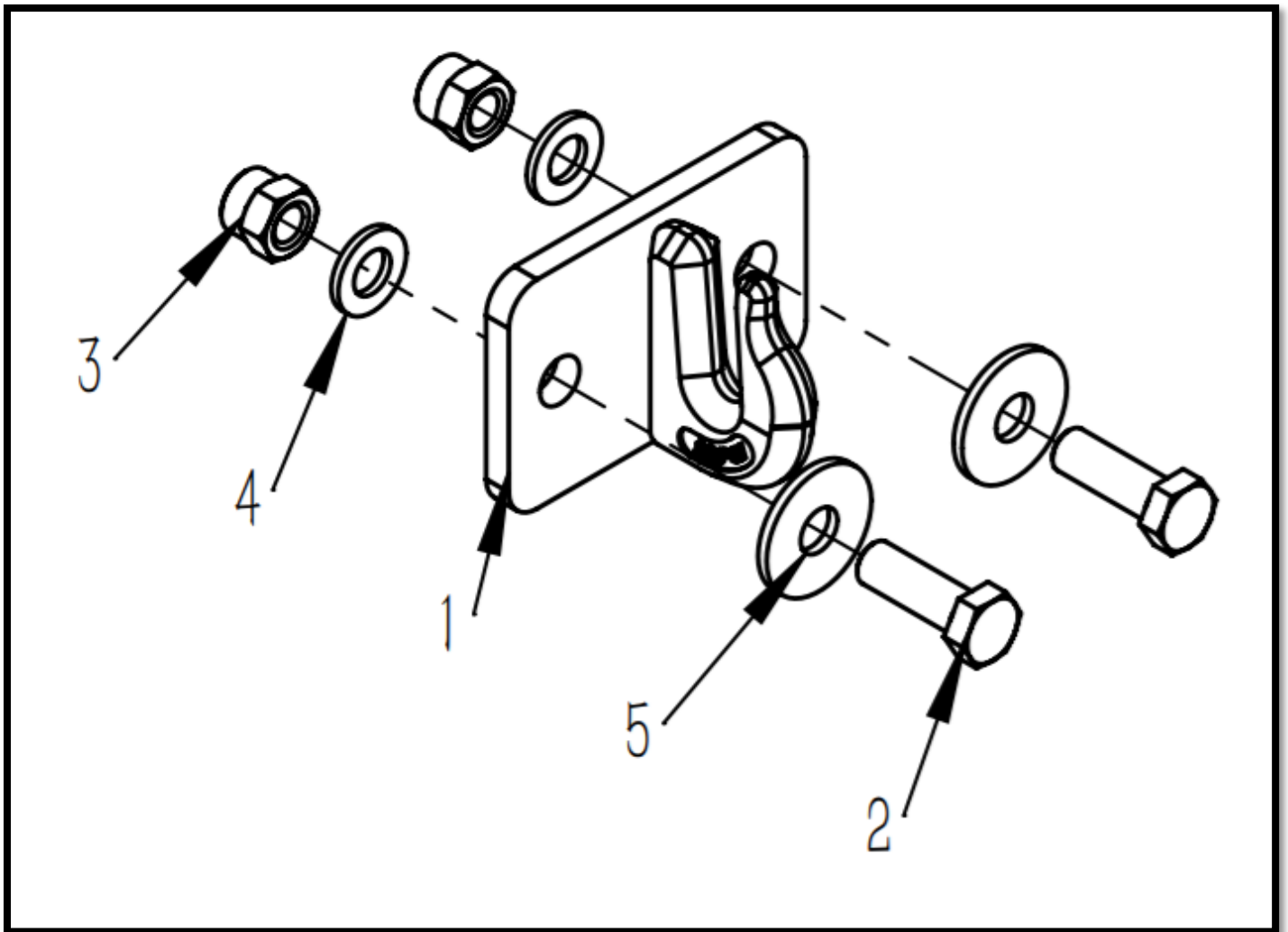
OWNER'S MANUAL

MPN(s): 516BOLTH, 516BOLTH3

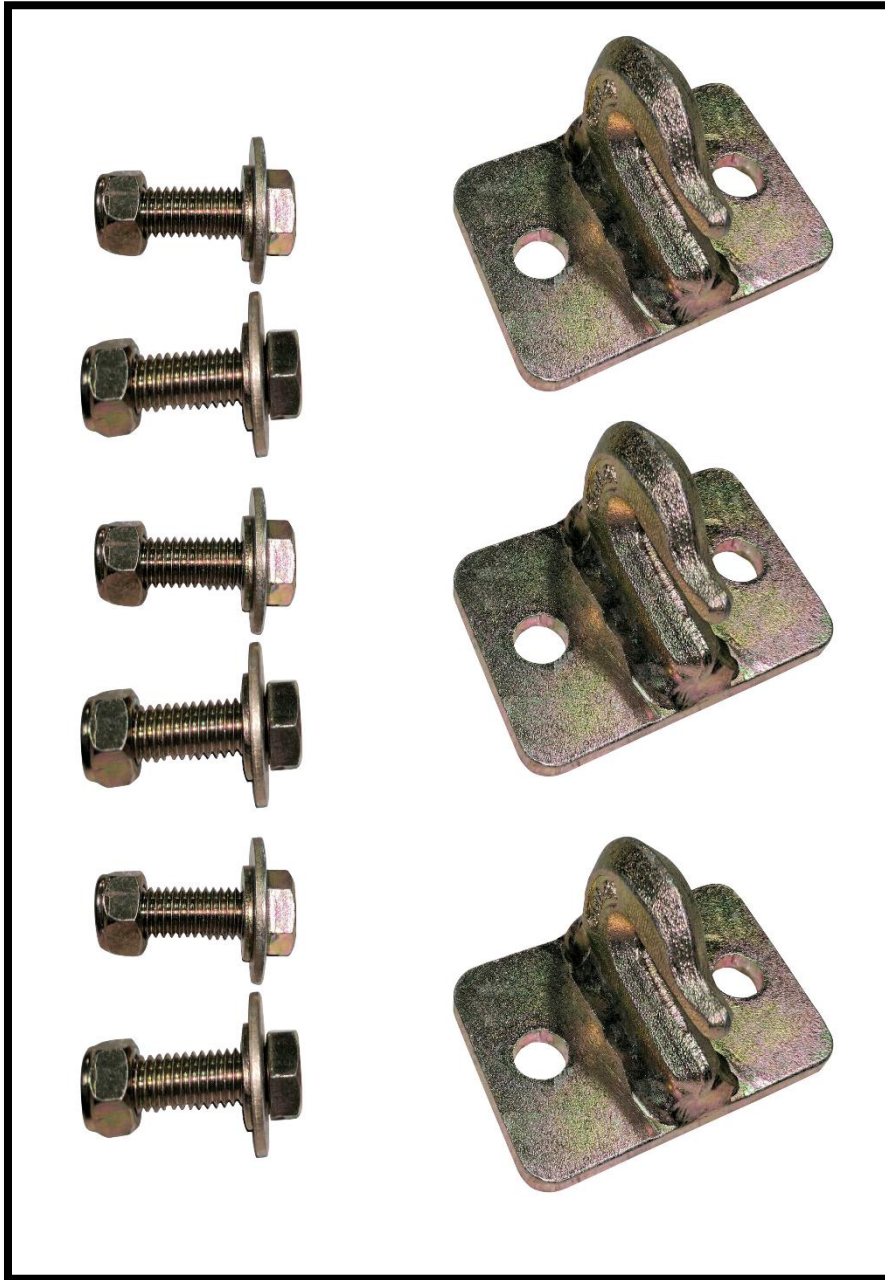
SKU(s): 125104, 125108

UPC(s): 049008268029, 719318384435

PARTS DIAGRAM



KEY	DESCRIPTION	QTY (516BOLTH)	QTY (516BOLTH3)
(1)	WELDED HOOK	x1	x3
(2)	BOLT 1/2"-13*1.5"-G8	x2	x6
(3)	LOCK NUT 1/2"-13-G8	x2	x6
(4)	SAE FLAT WASHER 1/2"-G8.8	x2	x6
(5)	USS WASHES 1/2"-G8.8	x2	x6



*This concludes the
assembly of your
product.*

*Make sure to tighten
all nut-and-bolt
combinations before
use.*

Enjoy!

NEED HELP?

CONTACT US FIRST.

1 (800) 605-8241

info@titandistributorsinc.com / www.palletforks.com

Business Hours: Monday–Friday • 8:00 a.m.–5:00 p.m. (CT)

