



WWW.PALLETFORKS.COM

TITAN
ATTACHMENTS



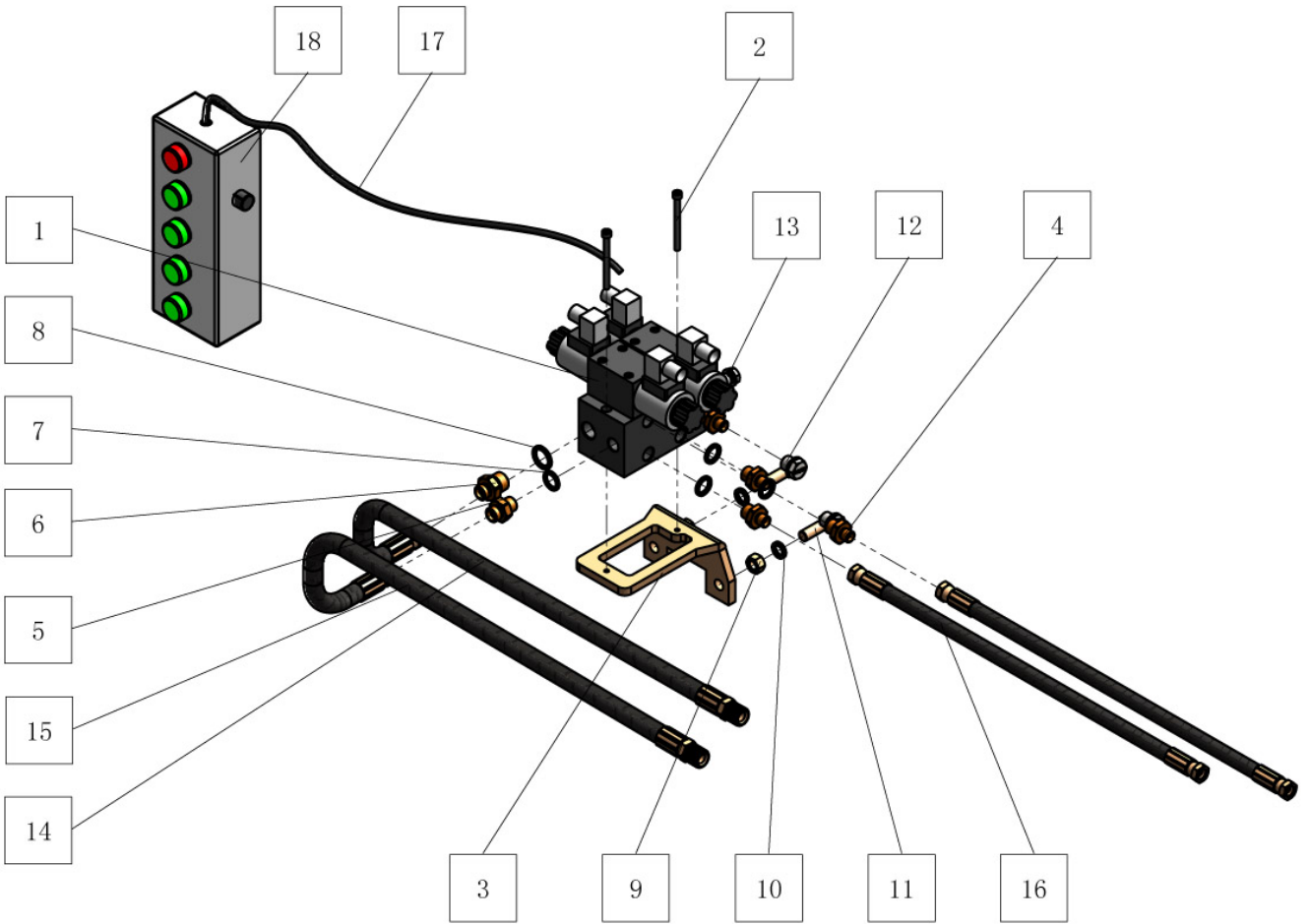
OWNER'S MANUAL

MPN(s): SVKIT

SKU(s): 126517

UPC(s): 840009206399

PARTS DIAGRAM / EXPLODED VIEW



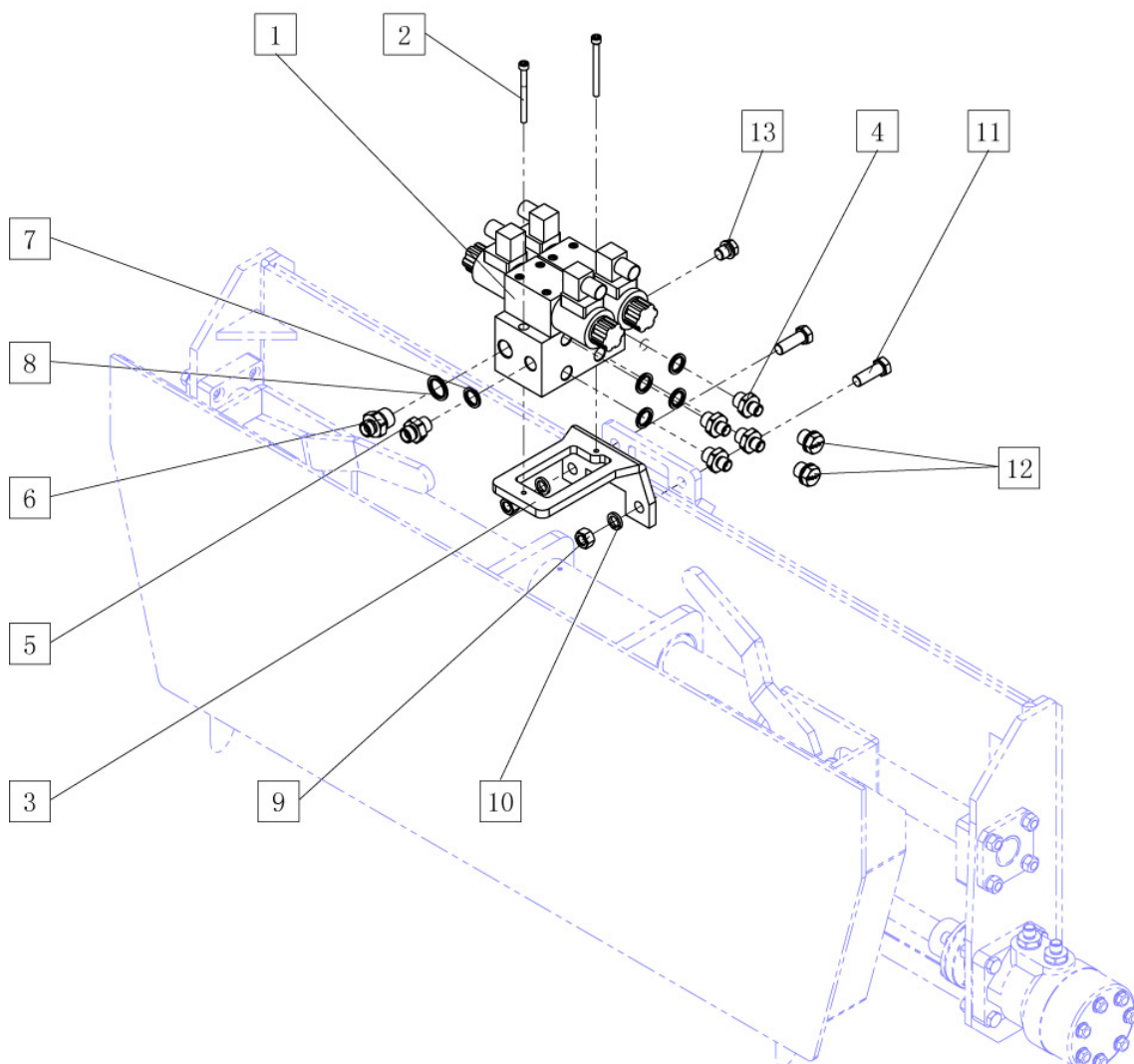
KEY	BOX	DESCRIPTION	QTY
(1)		Solenoid Valve	1
(2)		Hexa Bolt M6x70	2
(3)		Mounting Bracket	1
(4)		Hose Connector - Attachment	4
(5)		Hose Connector – Main Hose Return	1
(6)		Hose Connector – Main Hose Feed	1
(7)		Shim Washer Ø16	5
(8)		Shim Washer Ø20	1
(9)		Hexa Nut M12	2
(10)		Spring Washer 12	2
(11)		Hexa Bolt M12x35	2
(12)		Hose Cap Ø0.375"	2
(13)		Hose Cap Ø0.25"	1
(14)		Main Hose - Feed	1
(15)		Main Hose - Return	1
(16)		Attachment Hose	2
(17)		7-Wire Cable	1
(18)		Min Control Switch	1



ASSEMBLY INSTRUCTIONS

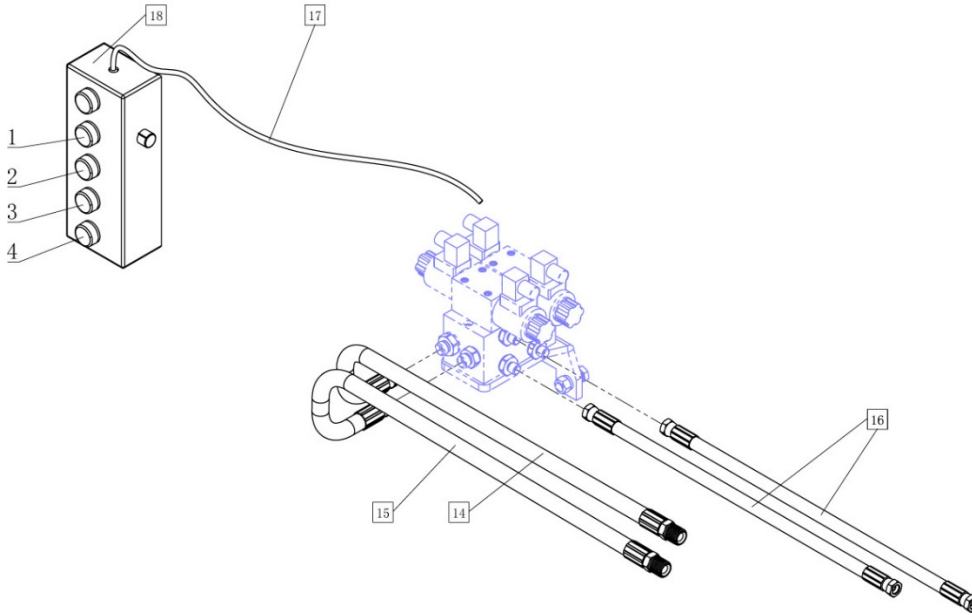
Step 1 – Install Mounting Bracket and Solenoid Valve to Attachment

- Install **Mounting Bracket (3)** to your attachment using two **Hexa Bolt M12x35 (11)**, two **Spring Washer 12 (10)** and two **Hexa Nut M12 (9)**.
- Install **Solenoid Valve (1)** onto **Mounting Bracket (3)** using two **Hexa Bolt M6x70 (2)**.
- Attach **Hose Connector – Main Hose Feed (6)** and **Shim Washer $\varnothing 20$ (8)** to **Solenoid Valve (1)**.
- Attach **Hose Connector – Main Hose Return (5)** and **Shim Washer $\varnothing 16$ (7)** to **Solenoid Valve (1)**.
- Attach four **Hose Connector – Attachment (4)** and four **Shim Washer $\varnothing 16$ (7)** to **Solenoid Valve (1)**.
- Fasten **Hose Cap $\varnothing 0.375$ " (13)** onto **Solenoid Valve (1)**.
- If no additional attachment is use, fasten **Hose Cap $\varnothing 0.375$ " (12)** onto **Solenoid Valve (1)**.
Otherwise, just leave all connector open.

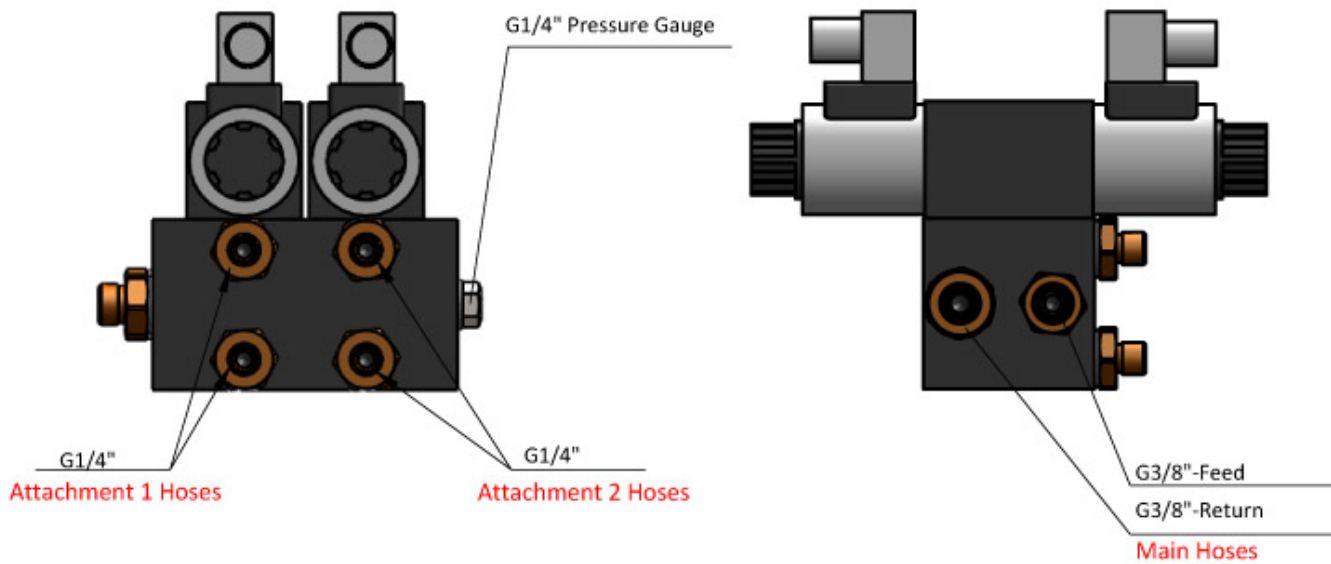


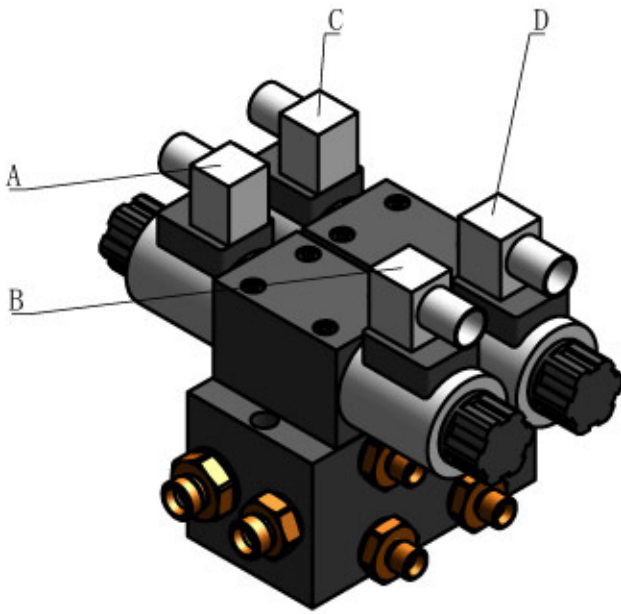
Step 2 – Connect Hydraulic Link and Wiring onto Solenoid Valve

- Connect **Main Hose – Feed (14)** and **Main Hose - Return (15)** onto **Solenoid Valve (1)**.
- Connect **Attachment Hose (16)** onto **Solenoid Valve (1)** and your attachment. There are one set of **Attachment Hose (16)** with the kit. If additional attachment is needed, use the oil hoses that comes with the attachment to connect onto **Solenoid Valve (1)**.



Hydraulic and wiring circuit is illustrated in diagram below

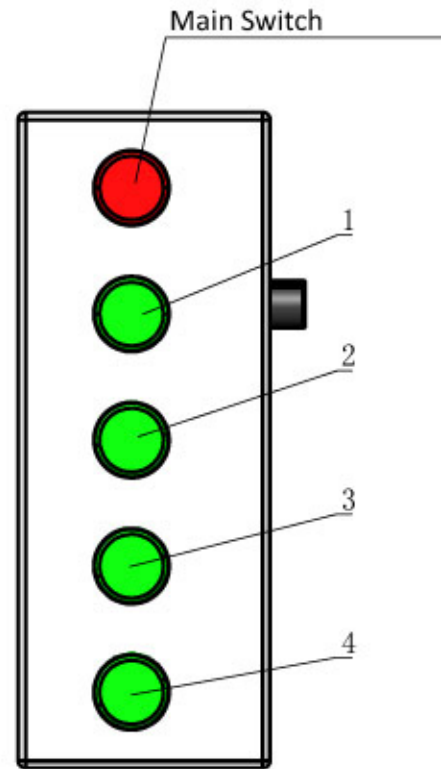




Button 1 & 2- control Attachment 1
 Button 2 & 3 - control Attachment 2

Wire Port A & B to Button 1 & 2
 Wire Port C & D to Button 3 & 4

Wire Main Switch to Skid Steer



This concludes the SVKIT Owner's Manual.

If applicable to your product, make sure to tighten all nut-and-bolt combinations before use.

Enjoy!

DISCLAIMER

This equipment must be used with care by capable and competent individuals under supervision, if necessary.

The use of any equipment, including this one, involves the potential risk of injury. You accept and assume full responsibility for any and all injuries, damages (both economic and non-economic), and losses of any type, which may occur, and you fully and forever release and discharge Titan, its insurers, employees, officers, directors, associates, and agents from any and all claims, demands, damages, rights of action, or causes of action, present or future, whether the same be known or unknown, anticipated, or unanticipated, resulting from or arising out of the use of said equipment.

TITAN MAKES NO WARRANTY WHATSOEVER WITH RESPECT TO THE EQUIPMENT, INCLUDING ANY WARRANTY OF MERCHANTABILITY OR WARRANTY OF FITNESS FOR A PARTICULAR PURPOSE, WHETHER EXPRESS OR IMPLIED BY LAW, COURSE OF DEALING, COURSE OF PERFORMANCE, USAGE OF TRADE OR OTHERWISE. BUYER ASSUMES ALL LIABILITY IN USE OF THE EQUIPMENT.

NEED HELP?

CONTACT US FIRST.

1 (800) 605-8241

info@titandistributorsinc.com / www.palletforks.com

Business Hours: Monday–Friday • 8:00 a.m.–5:00 p.m. (CT)

