

# SOLENOID VALVE KIT

---

**SVKITv2**

**126518**



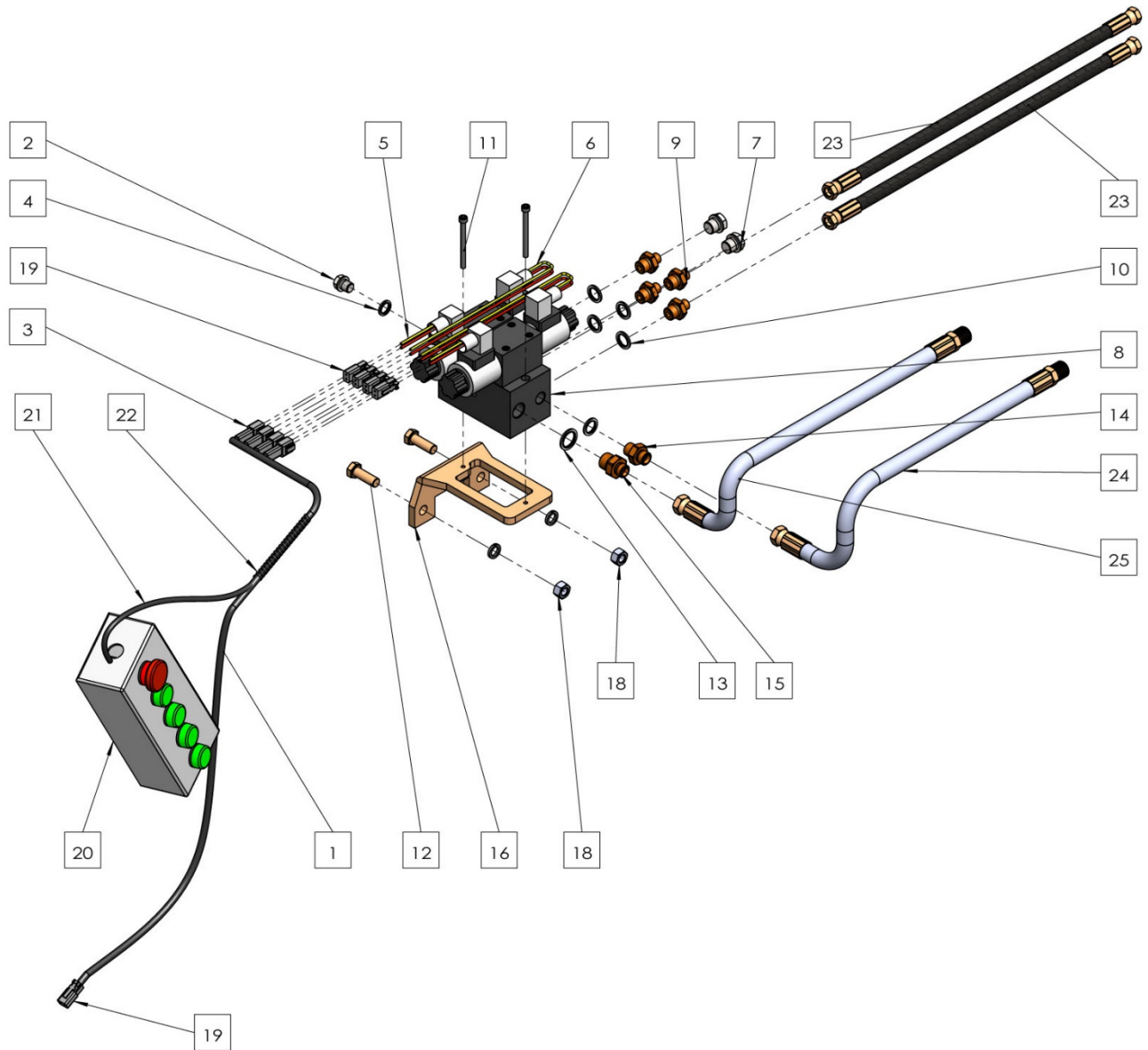
## Operator's Manual



Read the Operator's Manual entirely. When you see this symbol, the subsequent instructions and warnings are serious follow without exception. Your life and the lives of others depend on it!

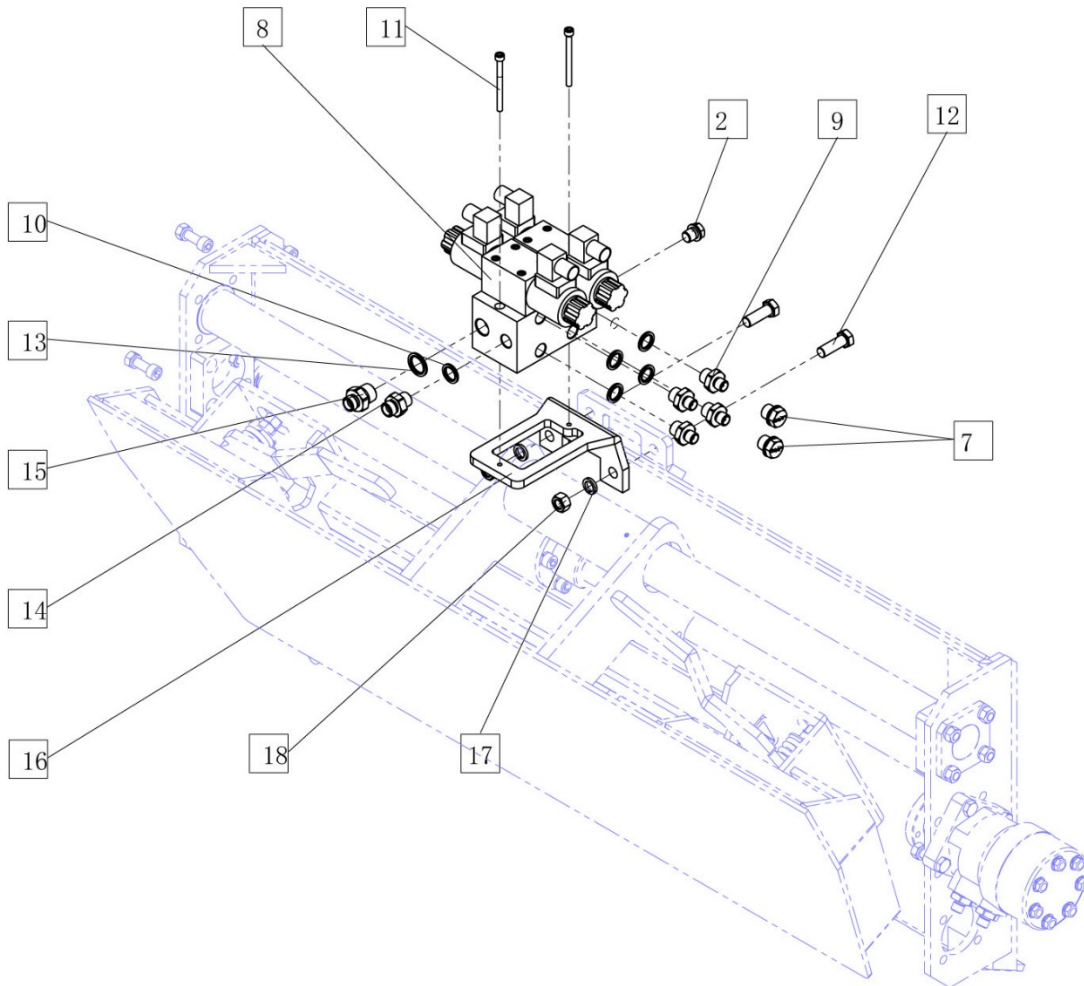
**Cover photo may show optional equipment not supplied with standard unit. For an Operator's Manual and Decal Kit in French or Spanish Language, please see your dealer.**

# PARTS DIAGRAM / EXPLODED VIEW



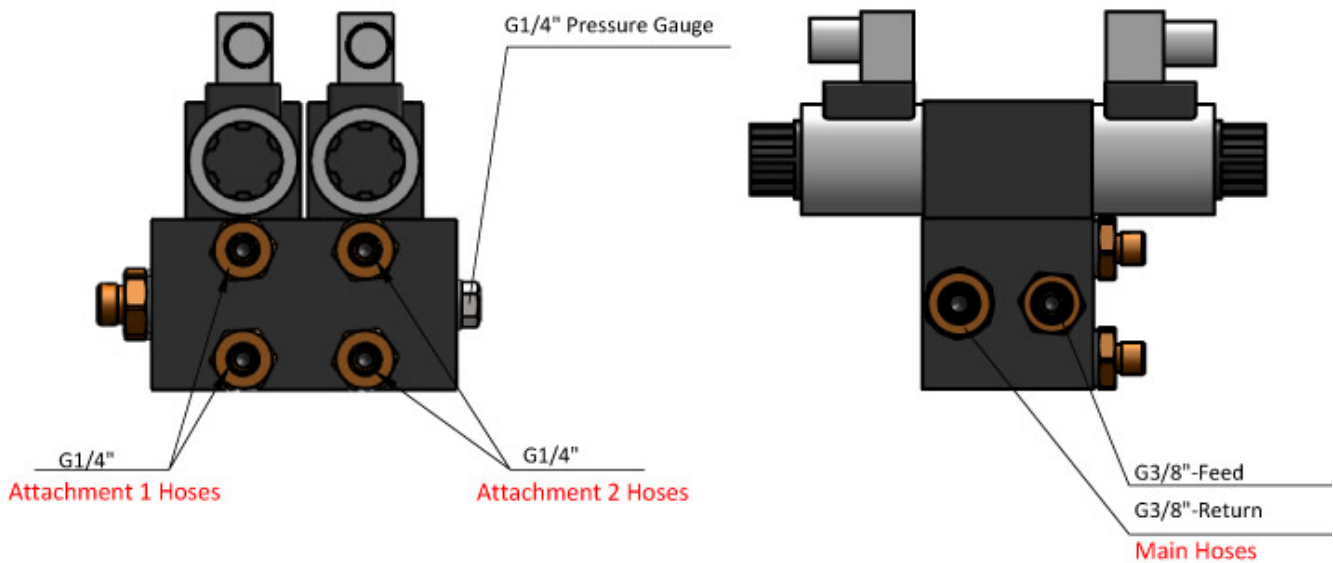
<b>KEY</b>	<b>DESCRIPTION</b>	<b>QTY</b>
(1)	Cable to Skid Steer	1
(2)	Oil Port Plug (G1/4")	1
(3)	Deutsch Plug - Male	4
(4)	Ø14 Gasket	1
(5)	Cable-1	4
(6)	Cable-2	4
(7)	Oil Port Plug (G3/8")	2
(8)	Solenoid Valve Assy	1
(9)	Hose Connector-1 (SIDESHIFTMP14)	4
(10)	Ø16 Gasket	2
(11)	Countersunk Button Head Hex Bolt M6x70	2
(12)	Hex Bolt M12x35	2
(13)	Ø20 Gasket	1
(14)	Hose Connector-2 (SIDESHIFTMP15)	1
(15)	Hose Connector-3 (SIDESHIFTMP15)	1
(16)	Solenoid Valve Mounting Bracket	1
(17)	Spring Washer 12	2
(18)	Hex Nut M12	2
(19)	Deutsch Plug - Female	5
(20)	Controller	1
(21)	Controller Cable	1
(22)	Cable Harness	1
(23)	Extra Attachment Oil Hose	2
(24)	Main Hose - Return	1
(25)	Main Hose - Feed	1

**STEP 1 - INSTALL MOUNTING BRACKET AND SOLENOID VALVE TO ATTACHMENT**



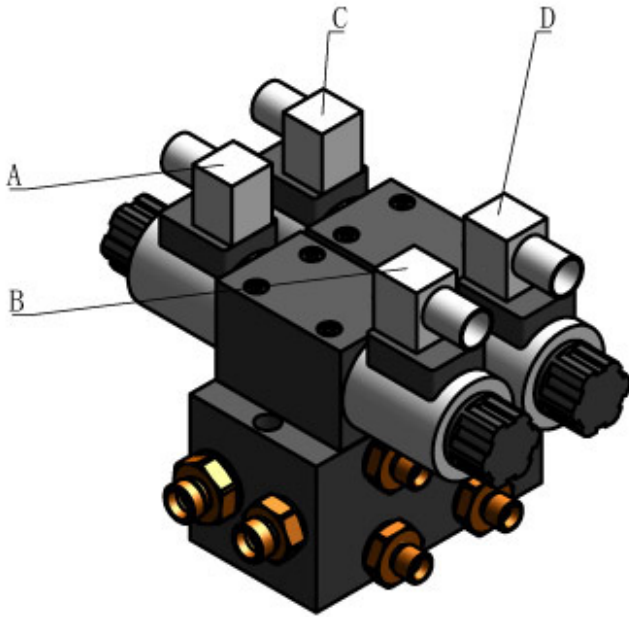
- A. Install **Solenoid Valve Mounting Bracket (16)** to your **SSTILTv2** using two **Hex Bolt M12x35 (12)**, two **Spring Washer 12 (17)** and two **Hex Nut M12 (18)**.
- B. Install **Solenoid Valve Assy (8)** onto **Solenoid Valve Mounting Bracket (16)** using two **Countersunk Button Head Hex Bolt M6x70 (11)**.

## STEP 2 – CONNECT HYDRAULIC LINK AND WIRING ONTO SOLENOID VALVE



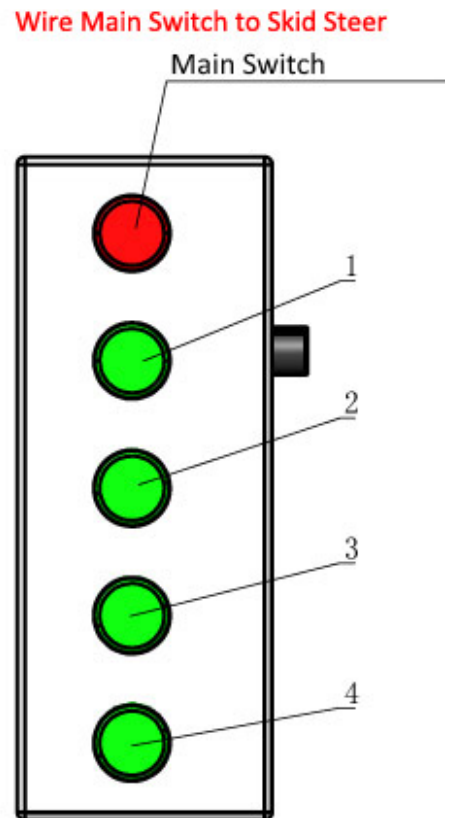
- A. Connect **Main Hose - Feed (25)** onto **Solenoid Valve Assy (8)** using **Hose Connector-3 (15)** and **Ø20 Gasket (13)**.
- B. Connect **Main Hose - Return (24)** onto **Solenoid Valve Assy (8)** using **Hose Connector-2 (14)** and **Ø16 Gasket (10)**.
- C. Connect the Feed and Return Hose of your **SSTILTv2** onto **Solenoid Valve Assy (8)** using **Hose Connector-1 (9)** and **Ø16 Gasket (10)**.
- D. There are two **Extra Attachment Oil Hose (23)** available in the kit that you can connect an additional Attachment to the Solenoid valve. Follow instruction "C" above for the connection

# ELECTRICAL CIRCUIT



Button 1 & 2- control Attachment 1  
Button 2 & 3 - control Attachment 2

Wire Port A & B to Button 1 & 2  
Wire Port C & D to Button 3 & 4



## ACKNOWLEDGEMENT OF RISK AND RELEASE OF LIABILITY

---

The use of any equipment, including this one, involves the potential risk of injury. Apart from any warranty claim that might be presented for a claimed defect in material or workmanship of the product, you accept and assume full responsibility for any and all injuries, damages (both economic and non-economic), and losses of any type, which may occur, and you fully and forever release and discharge Titan, its insurers, employees, officers, directors, associates, and agents from any and all claims, demands, damages, rights of action, or causes of action, present or future, whether the same be known or unknown, anticipated, or unanticipated, resulting from or arising out of the use of said equipment.

This equipment must be used with care by capable and competent individuals under supervision, if necessary.

## WARNING

---



some activities might be able to cause electric shock



Sharp objects may be involved.  
Use protective cover during maintenance.

## TITAN LIMITED WARRANTY: TERMS, EXCLUSIONS AND LIMITATIONS OF REMEDIES

---

This product comes with a one (1) year limited warranty that can be found at [www.palletforks.com/warranty.html](http://www.palletforks.com/warranty.html). Please review the same for all details regarding the Titan Limited Warranty.

**THE TITAN LIMITED WARRANTY FOUND AT [WWW.PALLETFORKS.COM/WARRANTY.HTML](http://WWW.PALLETFORKS.COM/WARRANTY.HTML) IS EXCLUSIVE AND IS IN LIEU OF ALL OTHER WARRANTIES, EXPRESS OR IMPLIED, INCLUDING ANY IMPLIED WARRANTY OF MERCHANTABILITY AND/OR FITNESS FOR A PARTICULAR PURPOSE, EACH OF WHICH IS HEREBY DISCLAIMED.**



**NEED HELP? CONTACT US FIRST.**

**1-800-605-7595**

[info@palletworks.com](mailto:info@palletworks.com)  
[www.palletforks.com](http://www.palletforks.com)

© 2021 Titan Brands