

# SKID STEER TO PTO ADAPTER

PTOMPHDv2

169217

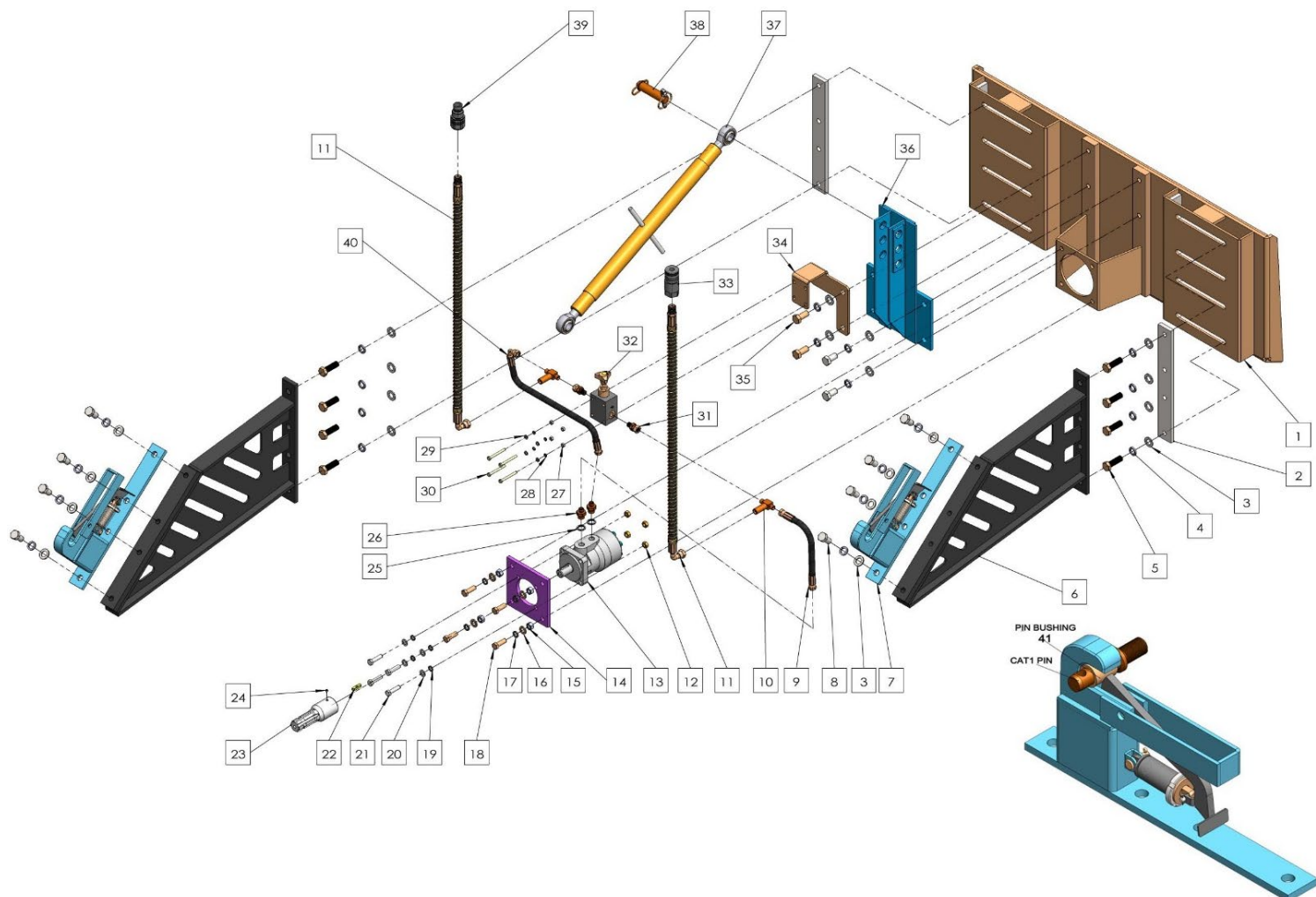


## Operator's Manual



Read the Operator's Manual entirely. When you see this symbol, the subsequent instructions and warnings are serious follow without exception. Your life and the lives of others depend on it.

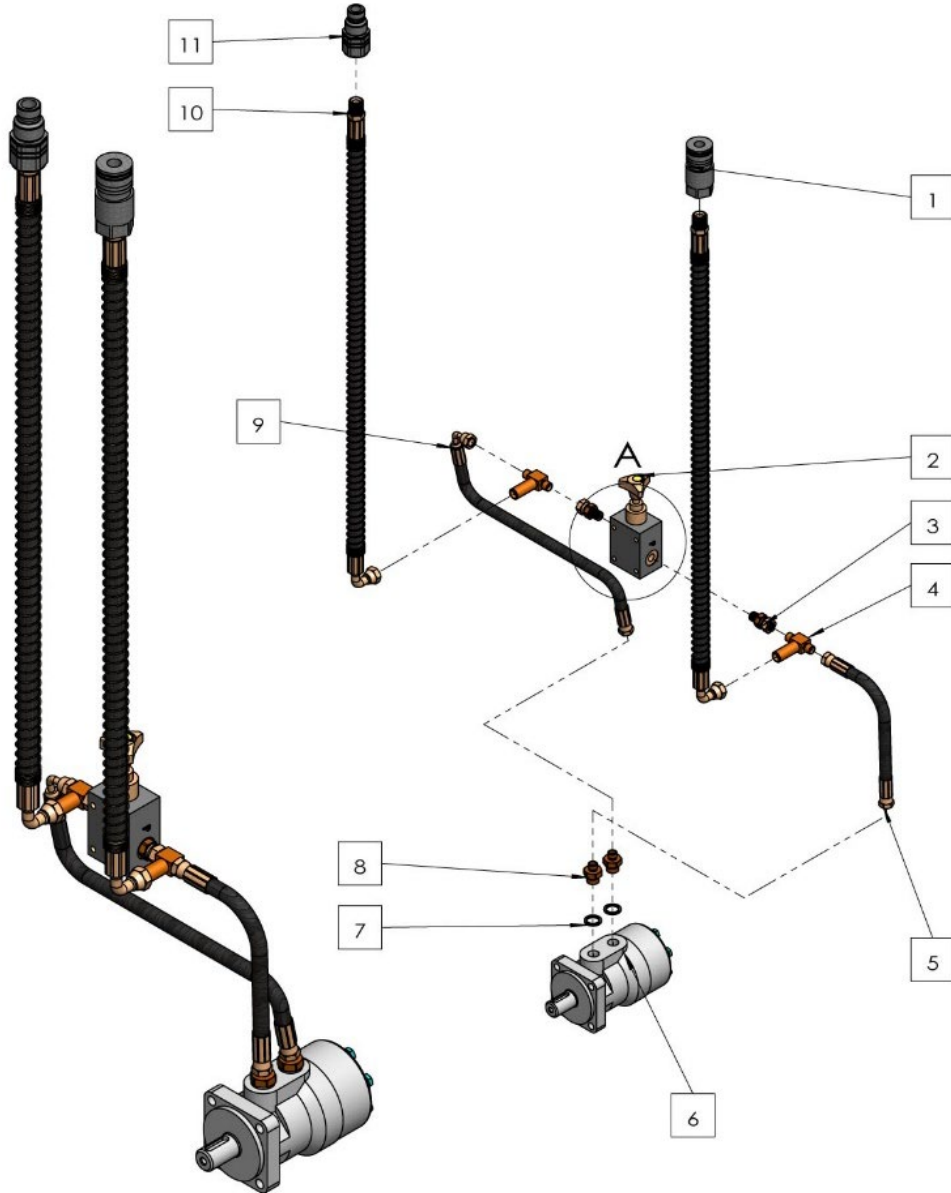
# PARTS DIAGRAM / EXPLODED VIEW



PARTS DIAGRAM / EXPLODED VIEW

KEY	DESCRIPTION	QTY	KEY	DESCRIPTION	QTY
(1)	MOUNT PLATE ASSY	1	(22)	FLAT KEY 8x7x32	1
(2)	BOLT MOUNT TEMPLATE	2	(23)	PTO SHAFT COUPLING	1
(3)	FLAT WASHER M16	20	(24)	COUNTERSUNK STUD BOLT M6x6	1
(4)	SPRING WASHER M16	20	(25)	GASKET Ø18	2
(5)	HEX BOLT M16x50	8	(26)	HOSE CONNECTOR	2
(6)	SIDE FRAME ASSY	2	(27)	HEX NUT M6	4
(7)	LOWER LINK AUTO QUICK HITCH	2	(28)	SPRING WASHER M6	4
(8)	HEX BOLT M16x30	10	(29)	FLAT WASHER M6	4
(9)	RELIEF VALVE OIL HOSE - FEED	1	(30)	HEX BOLT M6X60	4
(10)	T-CONNECTOR	2	(31)	OIL PORT ADAPTOR	2
(11)	MAIN OIL HOSE	2	(32)	RELIEF VALVE	1
(12)	HEX NUT M10	4	(33)	FLAT FACE COUPLER - FEMALE	1
(13)	HYDRAULIC MOTOR (BMR100)	1	(34)	RELIEF VALVE MOUNTING BRACKET	1
(14)	MOTOR MOUNT BRACKET	1	(35)	HEX BOLT M16x35	2
(15)	HEX NUT M12	4	(36)	TOP LINK MOUNTING BRACKET	1
(16)	FLAT WASHER M12	4	(37)	TOP LINK ARM	1
(17)	SPRING WASHER M12	4	(38)	TOP LINK PIN ASSY	1
(18)	HEX BOLT M12x35	4	(39)	FLAT FACE COUPLER - MALE	1
(19)	SPRING WASHER M10	4	(40)	RELIEF VALVE OIL HOSE - RETURN	1
(20)	FLAT WASHER M10	4	(41)	CAT1 PIN ADAPTOR BUSHING	2
(21)	HEX BOLT M10x40	4			

# HYDRAULIC SYSTEM

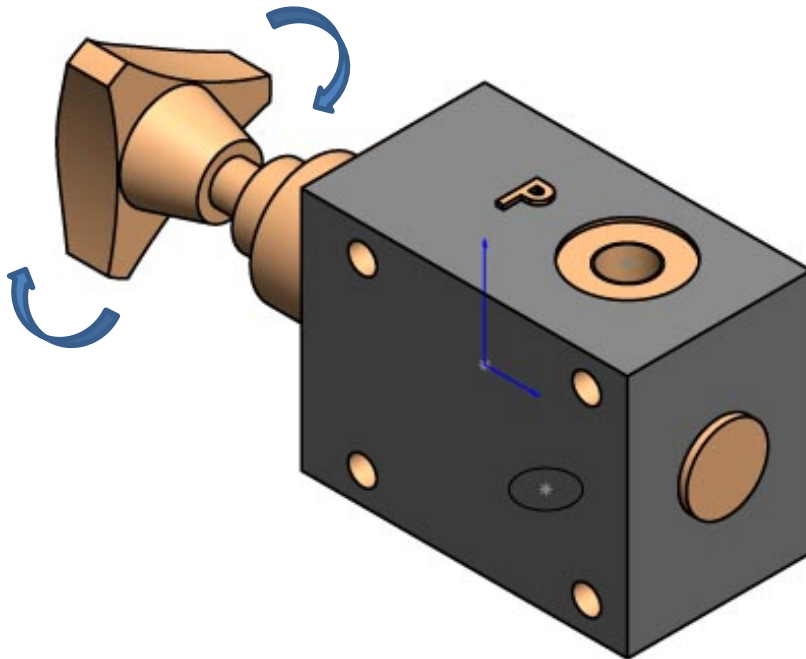


KEY	DESCRIPTION	QTY	KEY	DESCRIPTION	QTY
(1)	FLAT FACE COUPLER - FEMALE	1	(7)	GASKET Ø18	2
(2)	RELIEF VALVE	1	(8)	HOSE CONNECTOR	2
(3)	OIL PORT ADAPTOR	2	(9)	RELIEF VALVE OIL HOSE - RETURN	1
(4)	T-CONNECTOR	2	(10)	MAIN OIL HOSE	2
(5)	RELIEF VALVE OIL HOSE - FEED	1	(11)	FLAT FACE COUPLER - MALE	1
(6)	HYDRAULIC MOTOR	1			

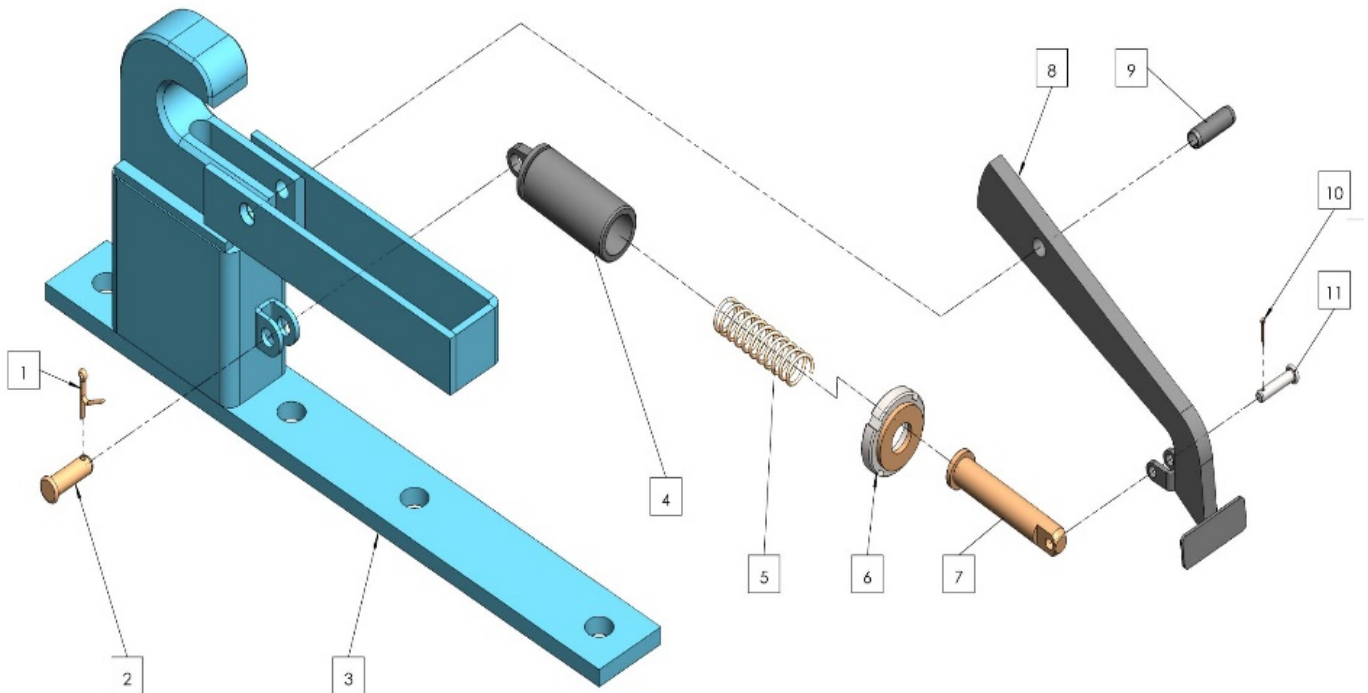
## ADJUSTABLE RELIEF VALVE

---

- The relief pressure is adjustable within the range of 360 – 5800 Psi.
- Turn the knob clockwise to increase relief pressure, and anti-clockwise to reduce relief pressure.
- Adjust relief pressure to optimize performance and protection of hydraulic motor according to the attachment being driven as well as the field conditions.
- Oil port denoted with “P” is for connection to feed hose.
- Oil port denoted with “T” is for connection to return hose.



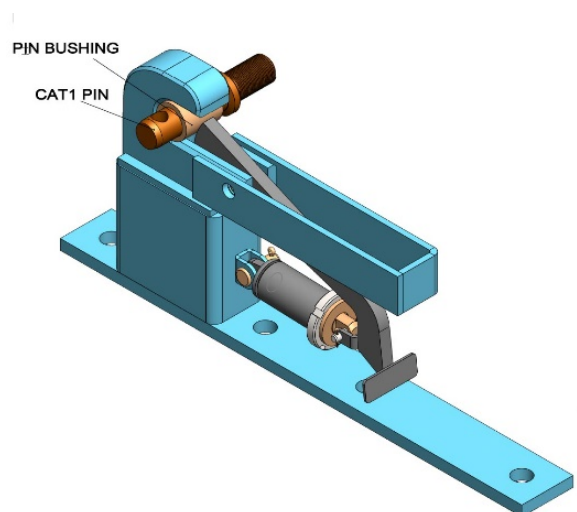
## AUTO QUICK HITCH (LOWER LINK)



KEY	DESCRIPTION	QTY	KEY	DESCRIPTION	QTY
(1)	COTTER PIN	1	(7)	SPRING PULL ROD	2
(2)	PIN A10X30	1	(8)	LATCH LEVER	2
(3)	HOOK ASSY	2	(9)	PIN 10X30	1
(4)	SPRING HOISING	2	(10)	CTTER PIN 1.6X10	2
(5)	COMPRESSION SPRING	1	(11)	PIN A6X26	1
(6)	NUT CAP	1			

### USING CAT1 PIN

- The Auto Quick Hitch is adapted to both CAT1 and CAT2 pins.
- For heavy-duty applications, we recommend inserting the Pin Adaptor Bushing onto CAT1 lower pin to reduce the gap inside the hook loop.
- A pair of the Pin Adaptor Bushing for CAT1 lower pins is included with the package you received.



## TECHNICAL DATA

---

### 1. Skid Steer Requirements

- Recommended Horsepower: 25 – 50 HP
- Recommended Hydraulic Pressure: 2320 – 3050 PSI
- Recommended Flow Rate: 14 – 20 GPM

### 2. Hydraulic Motor

- Rated Displacement: 100 ml/r
- Rated Flow Rate: 16 GPM
- Rated RPM: 520 RPM
- Rated Hydraulic Pressure: 2500 PSI
- Maximum Torque: 224 Nm

## ASSEMBLY INSTRUCTIONS

---

- No Assembly Instructions Required.

## ACKNOWLEDGEMENT OF RISK AND RELEASE OF LIABILITY

---

The use of any equipment, including this one, involves the potential risk of injury. Apart from any warranty claim that might be presented for a claimed defect in material or workmanship of the product, you accept and assume full responsibility for any and all injuries, damages (both economic and non-economic), and losses of any type, which may occur, and you fully and forever release and discharge Titan, its insurers, employees, officers, directors, associates, and agents from any and all claims, demands, damages, rights of action, or causes of action, present or future, whether the same be known or unknown, anticipated, or unanticipated, resulting from or arising out of the use of said equipment.

This equipment must be used with care by capable and competent individuals under supervision, if necessary.

## WARNING

---



**Do not overfill!** Mower should be level when checking oil in gear box.



some activities might be able to cause electric shock



Sharp objects may be involved.  
Use protective cover during maintenance.

## TITAN LIMITED WARRANTY: TERMS, EXCLUSIONS AND LIMITATIONS OF REMEDIES

---

This product comes with a one (1) year limited warranty that can be found at [www.palletforks.com/warranty.html](http://www.palletforks.com/warranty.html). Please review the same for all details regarding the Titan Limited Warranty.

**THE TITAN LIMITED WARRANTY FOUND AT [WWW.PALLETFORKS.COM/WARRANTY.HTML](http://WWW.PALLETFORKS.COM/WARRANTY.HTML) IS EXCLUSIVE AND IS IN LIEU OF ALL OTHER WARRANTIES, EXPRESS OR IMPLIED, INCLUDING ANY IMPLIED WARRANTY OF MERCHANTABILITY AND/OR FITNESS FOR A PARTICULAR PURPOSE, EACH OF WHICH IS HEREBY DISCLAIMED.**





**NEED HELP? CONTACT US FIRST.**

**1-800-605-7595**

[info@palletworks.com](mailto:info@palletworks.com)  
[www.palletforks.com](http://www.palletforks.com)

© 2021 Titan Brands