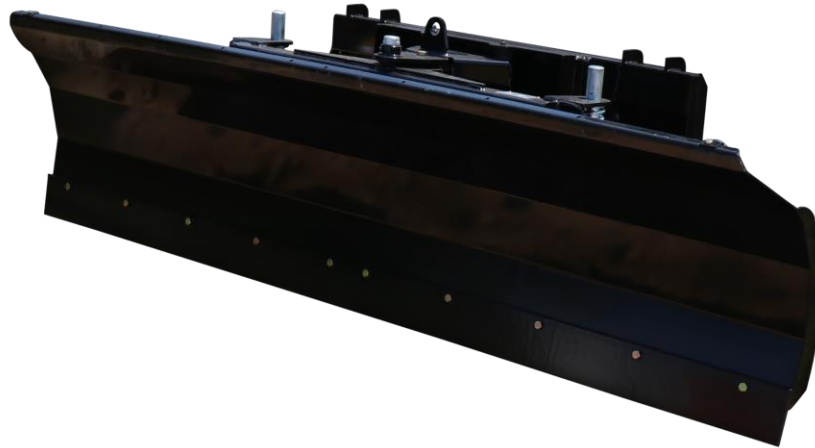




WWW.PALLETFORKS.COM  
**TITAN**  
ATTACHMENTS



## OWNER'S MANUAL

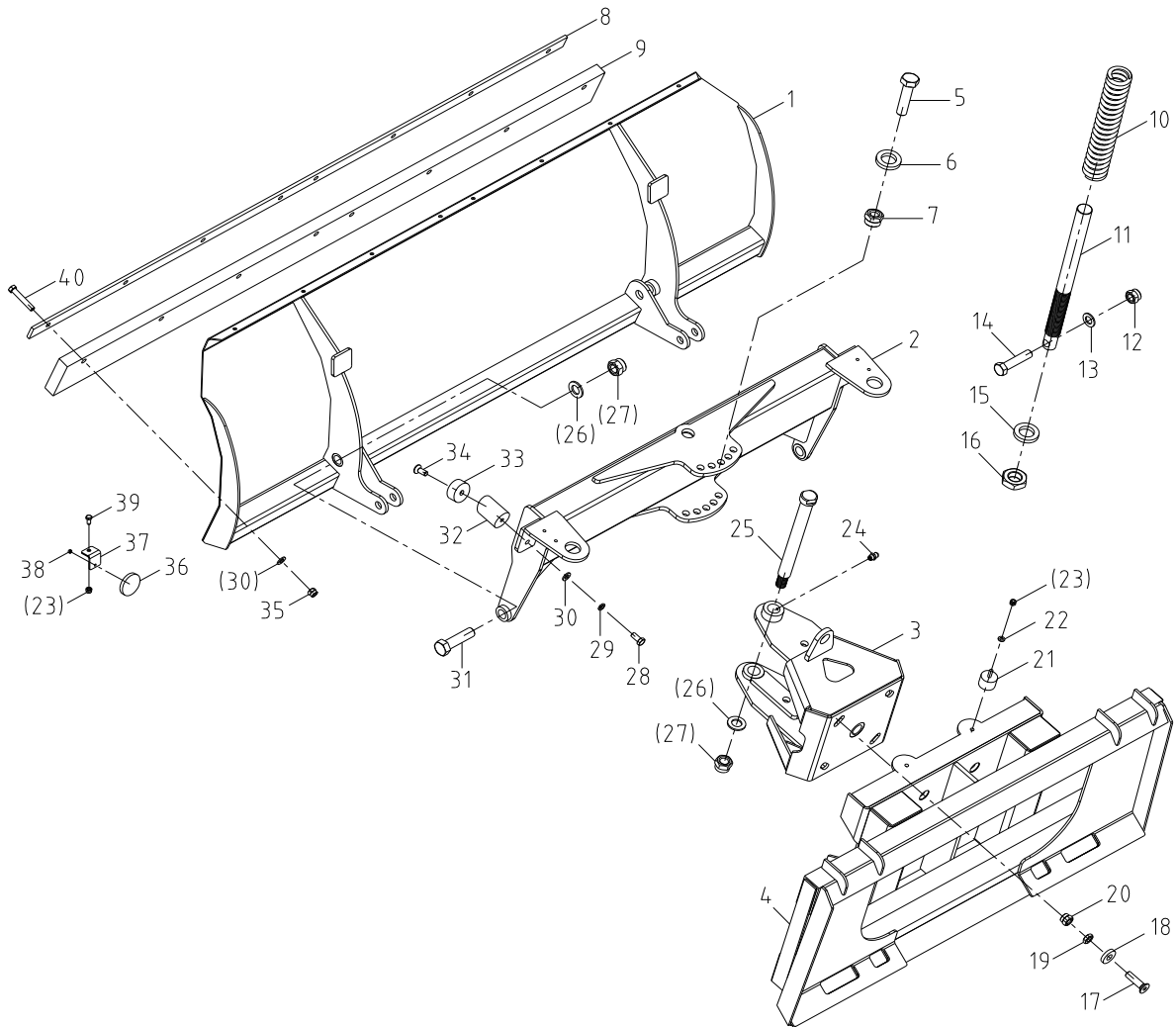
---

**MPN(s):** MSP200, MSP240

**SKU(s):** 170305, 170306

**UPC(s):** 840009204302, 840009204319

# PARTS DIAGRAM / EXPLODED VIEW



REF	PART NUMBER	DESCRIPTION
1	SBE***.011	SBE*** Main blade weldment
2	SBA180.012	Long support weldment
3	SBA180.013	Connection frame weldment
4	SBE180.014E	Mounting Bracket weldment
5	GB/T5782-2000	Bolt M16x60
6	GB/T97.1-2002	Plain washer 16
7	GB/T889.1-2000	Self-lock nut M16
8	SBE***.101	SBE*** Fixing deck(only for Rubber blade)
9	SBE***.102	SBE*** Steel blade (Rubber blade optional)

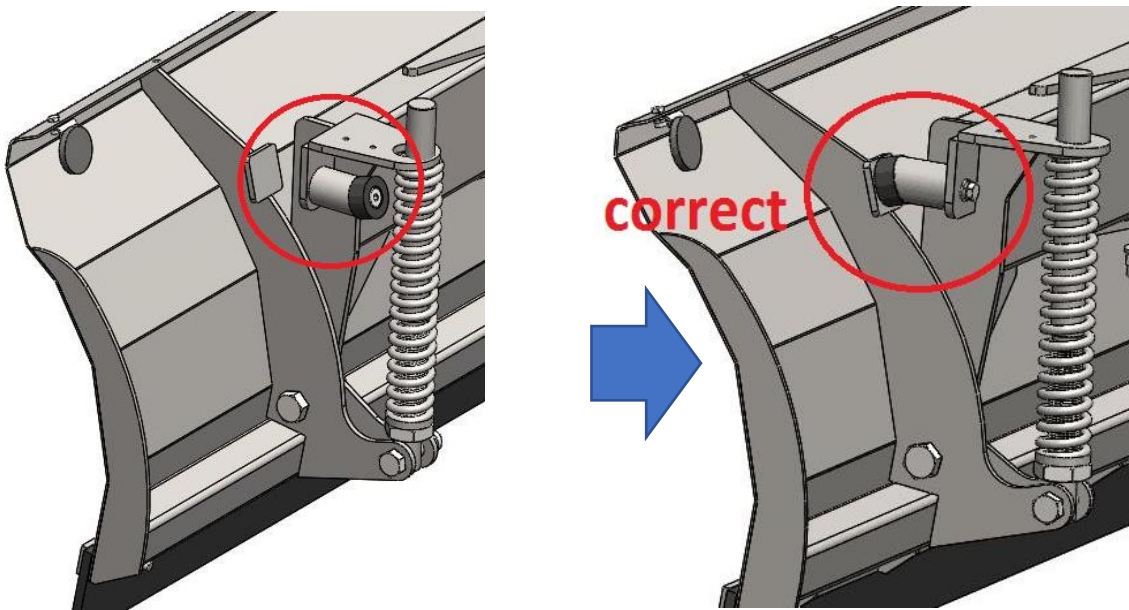


10	SBE180.105	Spring
11	SBE180.104	Shaft axle of spring
12	GB/T5782-2000	Bolt M20x85
13	GB/T97.1-2002	Plain washer 20
14	GB/T889.1-2000	Self-lock nut M20
15	SBE180.103	Spring pad
16	GB/T6173-2000	Thin nut M36x3
17	GB/T70.3-2000	Sunk head bolt M16x60
18	SBE180.117	Small block
19	GB/T6172.1-00	Thin nut M16
20	GB/T889.1-2000	Self lock nut M16
21	SBE180.112	Bolt rubber pad
22	GB/T97.1-2002	Plain washer 8
23	GB/T889.1-2000	Self-lock nut M8
24	JB/T7940.1-00	Oil cup M6
25	SBE180.018	Rotation pin
26	GB/T97.1-2002	Plain washer 24
27	GB/T889.1-2000	Self-lock nut M24
28	GB/T5782-2000	Bolt M12x25
29	GB/T93-2002	Spring washer 12
30	GB/T97.1-2002	Plain washer 12
31	GB/T5782-2000	Bolt M24x90
32	SBE180.115	Pole
33	SBE180.116	Rubber block
34	GB/T70.3-2000	Sunk head bolt M12x30
35	GB/T889.1-2000	Self-lock M12
36	SBE180.106	Mounted plate of reflector
37	SBE180.107	Reflector plate
38	GB/T6170-2000	Nut M5
39	GB/T5782-2000	Bolt M8x16
40	GB/T5782-2000	Bolt M12x70

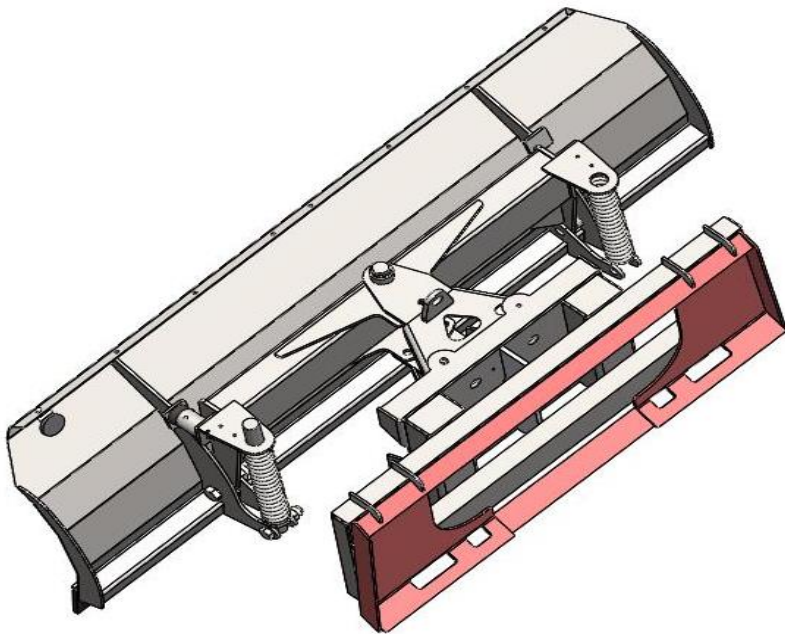
# ASSEMBLY INSTRUCTIONS

---

1. Read the operation manual carefully before unpacking and assembling the manual snow blade.
2. This snow blade is almost completely assembled before packing. There is only 1 snow blade body inside the package.
3. Get the snow blade out. Turn around to re-install the support pole(both sides) prior to use.



4. Tighten all the bolts and connect the snow blade to skid steer.



*This concludes the Owner's Manual.*



*If applicable to your product, make sure to tighten all nut-and-bolt combinations before use.*

*Enjoy!*

### **DISCLAIMER**

This equipment must be used with care by capable and competent individuals under supervision, if necessary.

The use of any equipment, including this one, involves the potential risk of injury. You accept and assume full responsibility for any and all injuries, damages (both economic and non-economic), and losses of any type, which may occur, and you fully and forever release and discharge Titan, its insurers, employees, officers, directors, associates, and agents from any and all claims, demands, damages, rights of action, or causes of action, present or future, whether the same be known or unknown, anticipated, or unanticipated, resulting from or arising out of the use of said equipment.

TITAN MAKES NO WARRANTY WHATSOEVER WITH RESPECT TO THE EQUIPMENT, INCLUDING ANY WARRANTY OF MERCHANTABILITY OR WARRANTY OF FITNESS FOR A PARTICULAR PURPOSE, WHETHER EXPRESS OR IMPLIED BY LAW, COURSE OF DEALING, COURSE OF PERFORMANCE, USAGE OF TRADE OR OTHERWISE. BUYER ASSUMES ALL LIABILITY IN USE OF THE EQUIPMENT.

**NEED HELP?**

**CONTACT US FIRST.**

**1 (800) 605-8241**

[info@titandistributorsinc.com](mailto:info@titandistributorsinc.com) / [www.palletforks.com](http://www.palletforks.com)

**Business Hours: Monday–Friday • 8:00 a.m.–5:00 p.m. (CT)**

