



WWW.PALLETFORKS.COM
TITAN
ATTACHMENTS



OWNER'S MANUAL

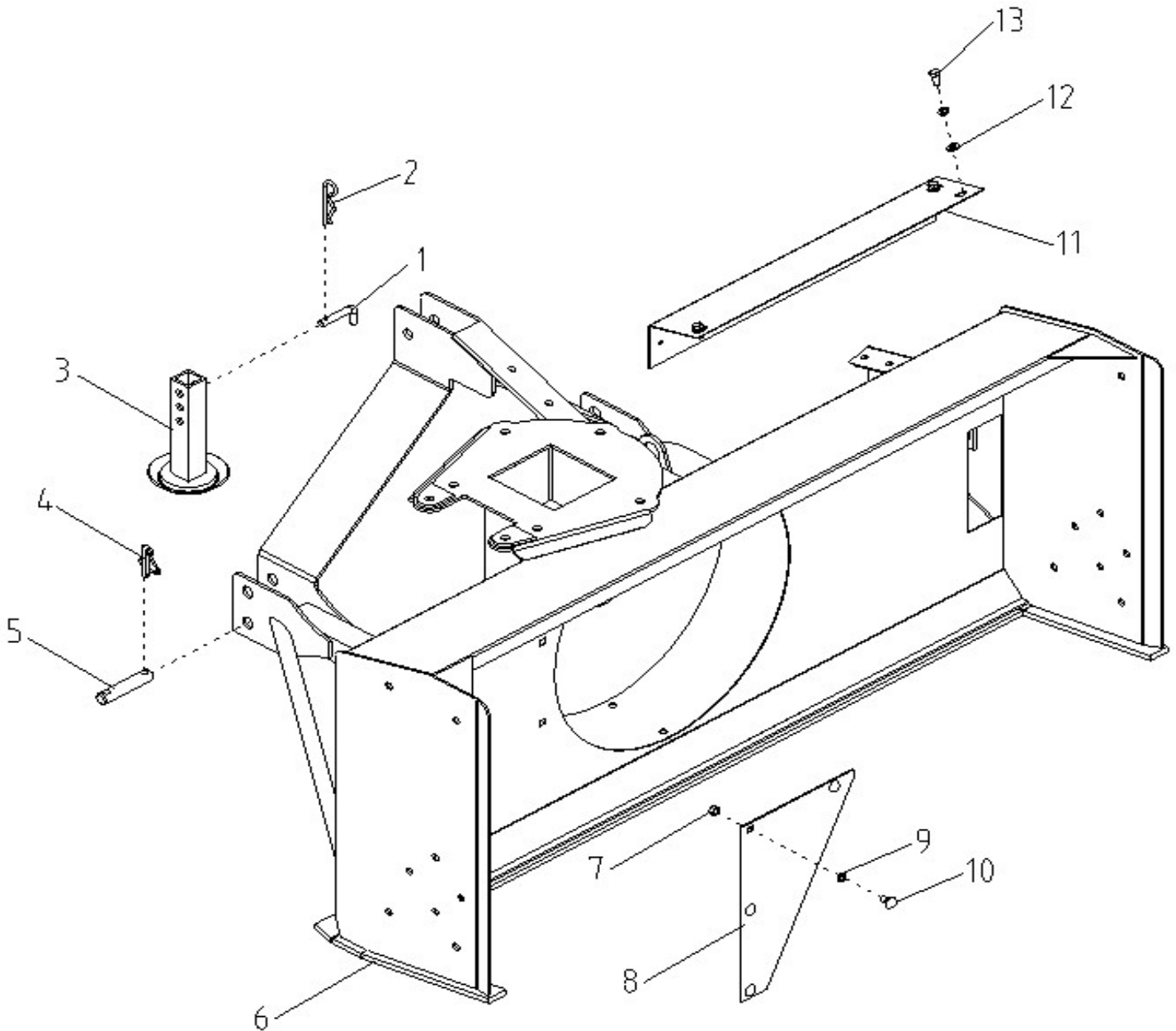
MPN(s): BP120, BP150

SKU(s): 170307, 170304

UPC(s): 840009205125, 719318388679

3 POINT HITCH SNOW BLOWER PARTS DIAGRAM (BP120/BP150)

BP.01.001 Bucket Assembly



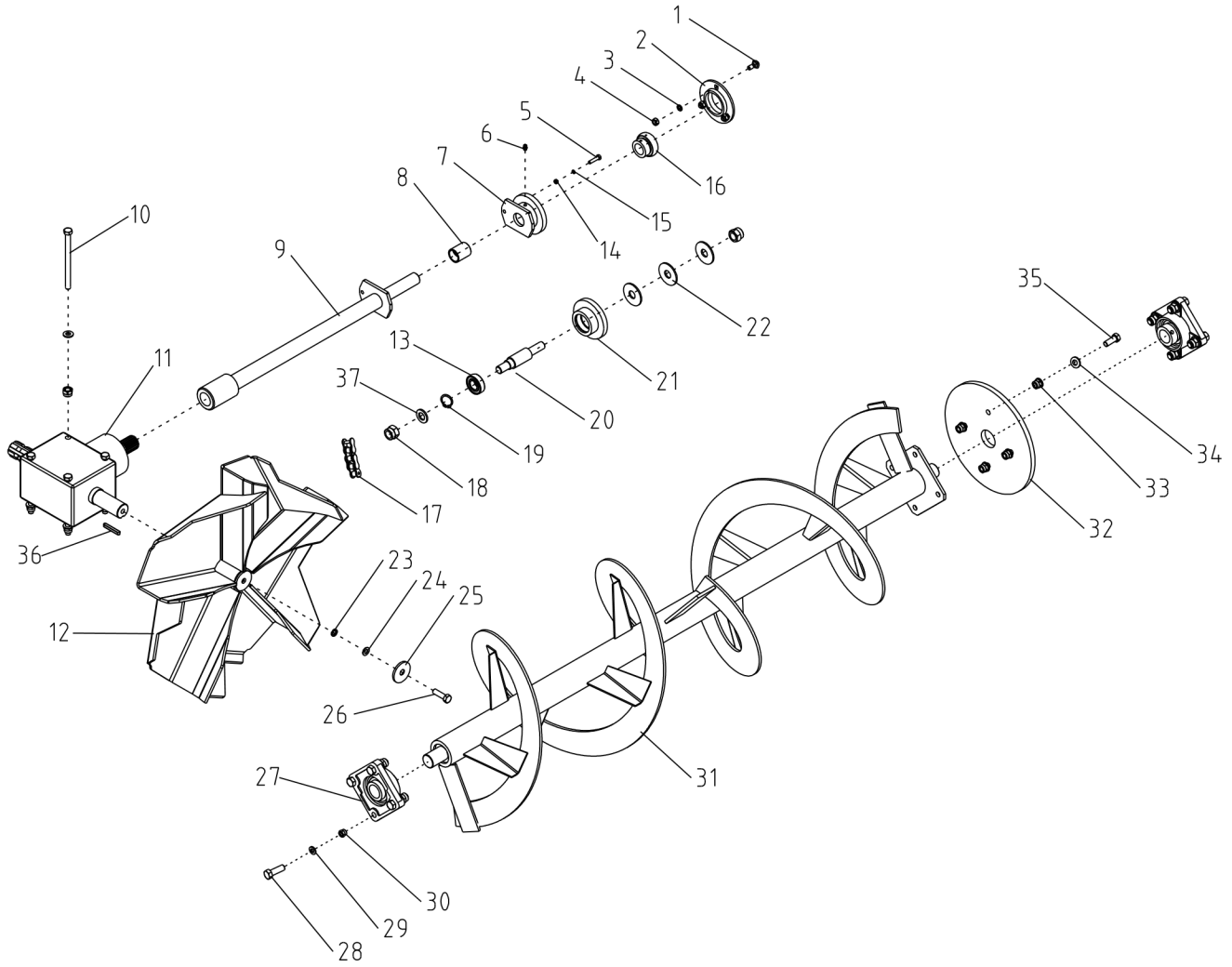
BP.01.001 Bucket Assembly Parts List

KEY	PART NUMBER	DESCRIPTION	QTY
1	FEL	Pin ϕ 5R	2
2	1G135.00.107	Curved pin	2
3	BP150.01.012	Supporting frame Weldment	2
4	FEL300.111	Pin ϕ 12	4
5	BP150.01.103	Lower suspension pin	2
6	BP150.01.011	Bucket weldment	1
7	GB/T5782-2000	Bolt M10x20	3
8	BP150.01.101	Triangular seal plate	1
9	GB/T97.1-2002	Flat mat 10	3
10	GB/T12-2000	Bolt M10x20	4
11	BP150.01.102	Chain shield	1
12	GB/T93-2002	Spring washer 10	7
13	GB/T6170-2000	Nut M10	4



PARTS DIAGRAM / EXPLODED VIEW

BP.02.001 Transmission Assembly



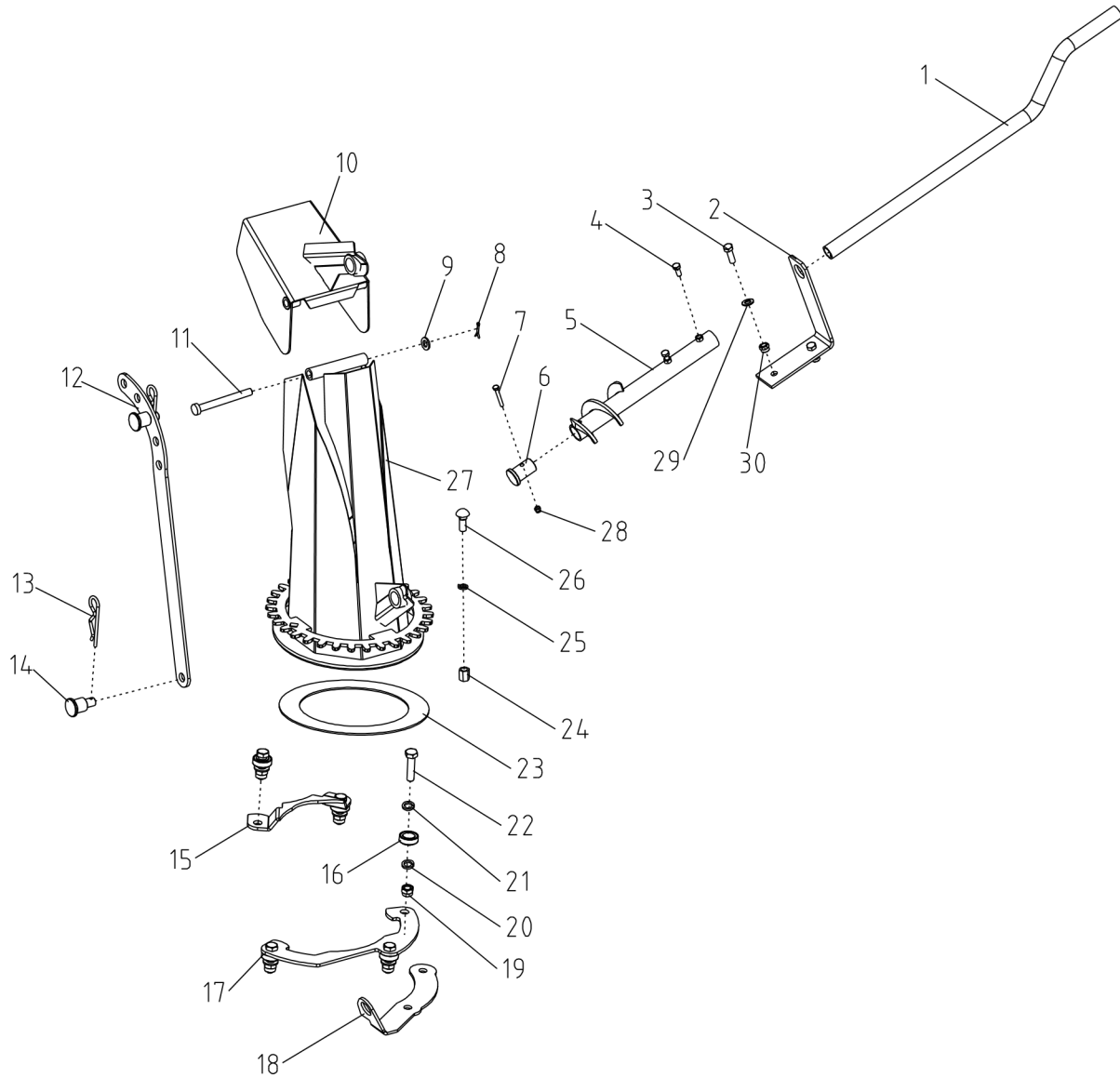
BP.02.001 Transmission Assembly Parts List

KEY	PART NUMBER	DESCRIPTION	QTY
1	GB/T12-2000	Bolt M8x20	3
2	GB/T7809-2000	Round block PF205	2
3	GB/T93-2002	Spring washer 8	3
4	GB/T6170-2000	Nut M8	3
5	GB/T5782-2000	Bolt M6x25	1
6	GB/T7940.1-2000	Oil cup	1
7	BP150.02.015	Sprocket wheel Weldment (S)	1
8	BP150.02.104	Copper sleeve 25	1
9	BP150.02.012	Transmission shaft weldment	1
10	GB/T5782-2000	Bolt M10x140	4
11	BP150.02.014	Gear box assembly	1
12	BP150.02.013	Fan weldment	1
13	GB/T276-2000	Bearing 6004-2RS	1
14	GB/T889.1-2000	Nut M6	1
15	GB/T97.1-2002	Flat mat 6	1
16	GB/T3882-2000	Bearing UE205	1
17	GB/T1243-1997	Chain 12A (Section 76)	1
18	GB/T889.1-2000	Nut M16	2
19	GB/T893.1-2000	Clip spring 42	1
20	BP150.02.103	Bolt M16	1
21	BP150.02.102	Intermediate sprocket	1
22	GB/T96.2-2002	Large washer 16	4
23	GB/T93-2002	Spring washer 14	1
24	GB/T97.1-2002	Flat mat 14	1
25	BP150.02.105	Fan Platen	1
26	GB/T5782-2000	Bolt M14x35	1
27	GB/T7810-2000	Bearing UELFU206	2
28	GB/T889.1-2000	Nut M12	8
29	GB/T97.1-2002	Flat mat 12	8
30	GB/T5782-2000	Bolt M12x40	8
31	BP150.02.011	Stir up weldment	1



32	BP150.02.101	Large sprocket	1
33	GB/T889.1-2000	Nut M10	8

BP.03.001 Snow canister Assembly



BP.03.001 Snow canister Assembly Parts List

REF	PART NUMBER	DESCRIPTION	QTY
1	BP150.03.103	Rotating handle	1
2	BP150.03.104	Rotary handle bracket	1
3	GB/T5782-2000	Bolt M10x30	2
4	GB/T5782-2000	Bolt M8x20	2
5	BP150.03.014	Adjusting lever Weldment	1
6	BP150.03.109	Adjusting rod pin	1
7	GB/T5782-2000	Bolt M6x45	1
8	GB/T91-2000	Cotter pin 3.2x25	1
9	GB/T97.1-2002	Flat mat 12	1
10	BP150.03.012	Snow cover Weldment	1
11	BP150.03.013	Plug-in welding fittings	1
12	BP150.03.107	Adjusting plate	1
13	FEL	Pin ϕ 5R	2
14	BP150.03.106	Connecting pin	2
15	BP150.03.101	Bending clip	1
16	GB/T276-2000	Bearing 6202-2RS	5
17	BP150.03.105	Snow outlet clip	1
18	BP150.03.110	Adjusting rod bracket	1
19	GB/T889.1-2000	Nut M14	5
20	GB/T97.1-2002	Flat mat 14	10
21	GB/T860-2000	Spring washer 14	5
22	GB/T27-2000	Bolt M14x50	5
23	BP150.03.102	Nylon pad	1
24	BP150.03.108	Hexagonal limit nut	1
25	GB/T93-2002	Spring washer 12	1
26	GB/T12-2000	Bolt M12x35	1
27	BP150.03.011	Snout holder weldment	1
28	GB/T889.1-2000	Nut M6	1
29	GB/T97.1-2002	Flat mat 10	2
30	GB/T889.1-2000	Nut M10	2





Heavy-duty steel ribbons are welded to the auger

*This concludes the BP120 & BP150 Owner's Manual.
If applicable to your product, make sure to tighten all
nut-and-bolt combinations before use.*

Enjoy!

DISCLAIMER

This equipment must be used with care by capable and competent individuals under supervision, if necessary.

The use of any equipment, including this one, involves the potential risk of injury. You accept and assume full responsibility for any and all injuries, damages (both economic and non-economic), and losses of any type, which may occur, and you fully and forever release and discharge Titan, its insurers, employees, officers, directors, associates, and agents from any and all claims, demands, damages, rights of action, or causes of action, present or future, whether the same be known or unknown, anticipated, or unanticipated, resulting from or arising out of the use of said equipment.

TITAN MAKES NO WARRANTY WHATSOEVER WITH RESPECT TO THE EQUIPMENT, INCLUDING ANY WARRANTY OF MERCHANTABILITY OR WARRANTY OF FITNESS FOR A PARTICULAR PURPOSE, WHETHER EXPRESS OR IMPLIED BY LAW, COURSE OF DEALING, COURSE OF PERFORMANCE, USAGE OF TRADE OR OTHERWISE. BUYER ASSUMES ALL LIABILITY IN USE OF THE EQUIPMENT.

NEED HELP?

CONTACT US FIRST.

1 (800) 605-8241

info@titandistributorsinc.com / www.palletforks.com

Business Hours: Monday–Friday • 8:00 a.m.–5:00 p.m. (CT)

