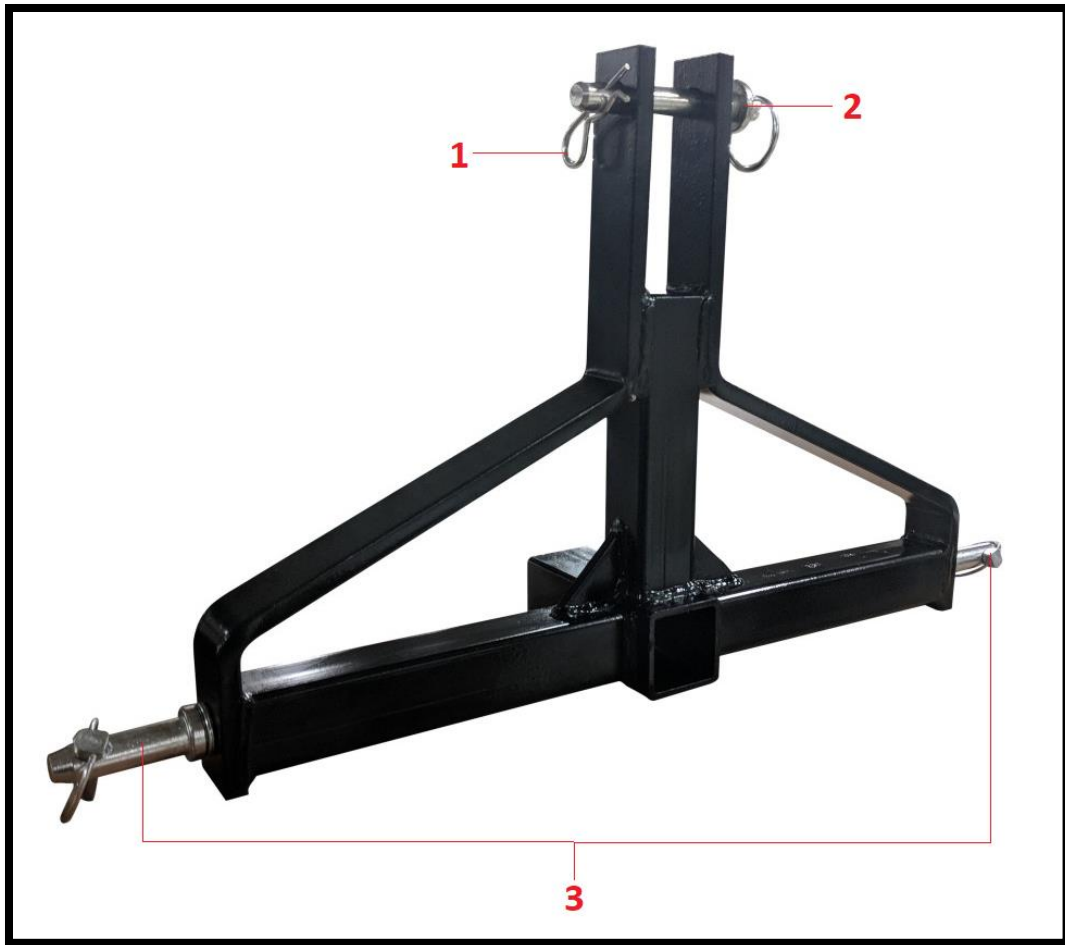




MPN: TDRLWv2

Parts Diagram





KEY #	DESCRIPTION	QTY
(1)	B-SHAPED PIN	x1
(2)	UPPER ARM MOUNT PIN W/ LOCK PIN	x1
(3)	LOWER ARM MOUNT PIN W/ LOCK PIN	x2

NEED HELP?

CONTACT US FIRST.

1 (800) 605-8241

info@titandistributorsinc.com / www.palletforks.com

Business Hours: Monday–Friday • 8:00 a.m.–5:00 p.m. (CT)