



WWW.PALLETFORKS.COM

TITAN
ATTACHMENTS



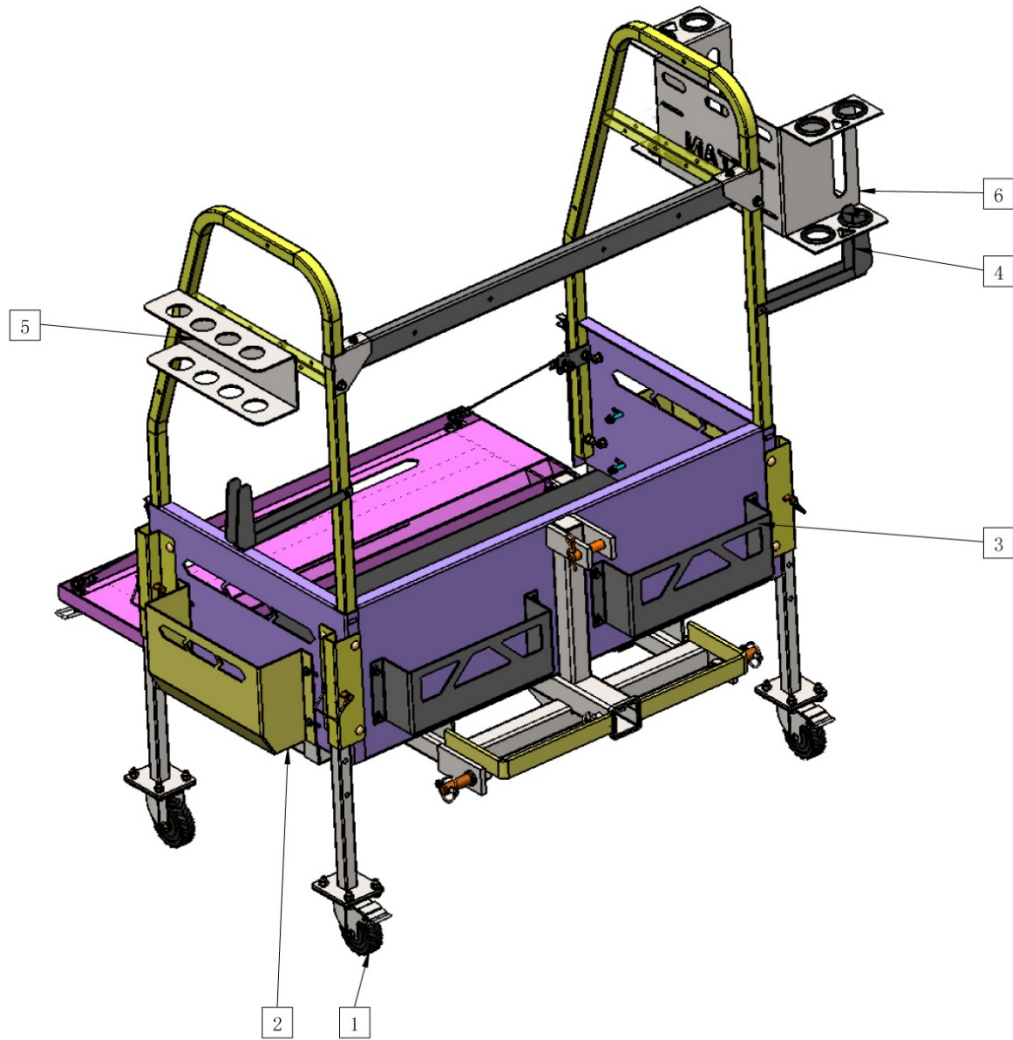
OWNER'S MANUAL

MPN(s): PTBACCKIT

SKU(s): 191256

UPC(s): 840009214820

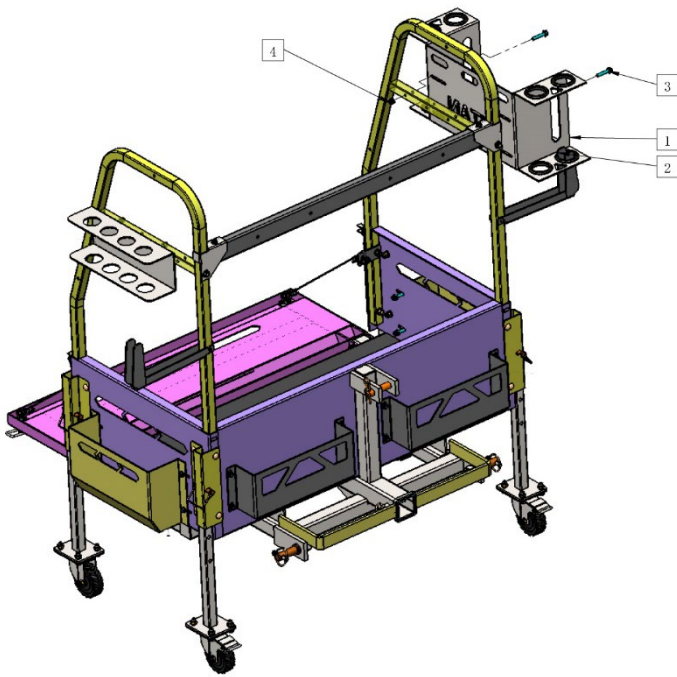
PARTS DIAGRAM / EXPLODED VIEW



KEY	DESCRIPTION	QTY
(1)	ALL-TERRAIN CASTERS	1
(2)	SIDE BIN	2
(3)	REAR BIN	2
(4)	ARM HOLDER	2
(5)	FOUR TOOL HOLDER	1
(6)	COMBO TOOL HOLDER	2

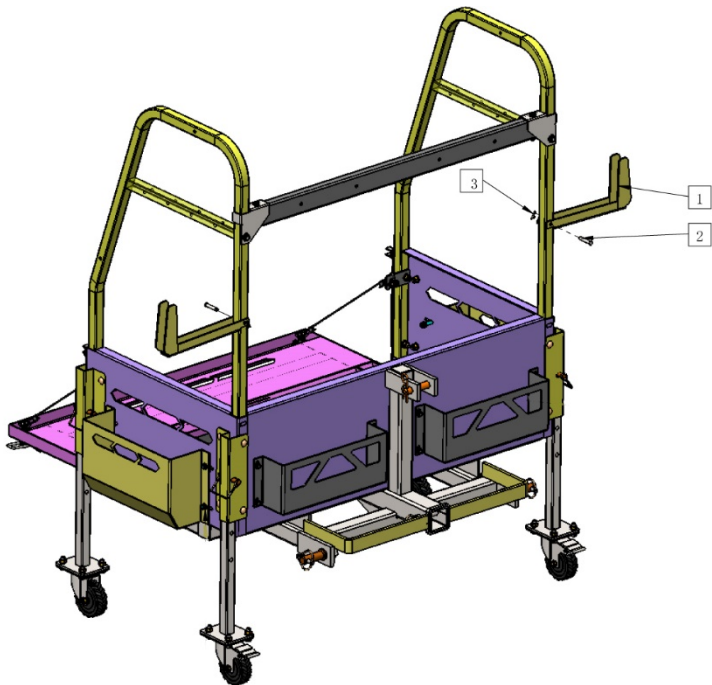
ASSEMBLY INSTRUCTIONS

1. CHAIN SAW HOLDER



KEY	DESCRIPTION	QTY
(1)	Chain Saw Holder	1
(2)	Rubber Sleeve	8
(3)	Hex Flange Bolt M8x45	2
(4)	Hex Flange Lock Nut M8	2

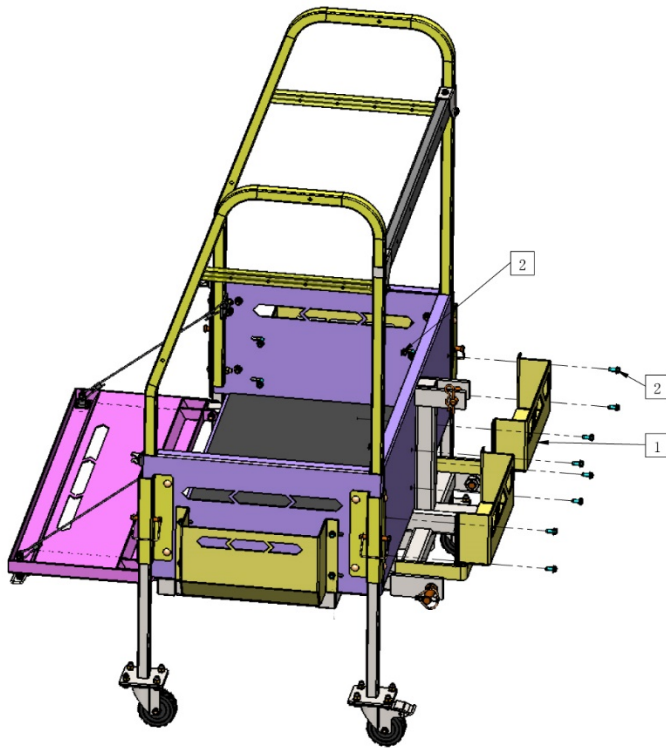
2. ARM HOLDER



KEY	DESCRIPTION	QTY
1	ARM HOLDER	1
2	PIN (A8X45)	2
3	COTTER PIN (3.2X16)	2

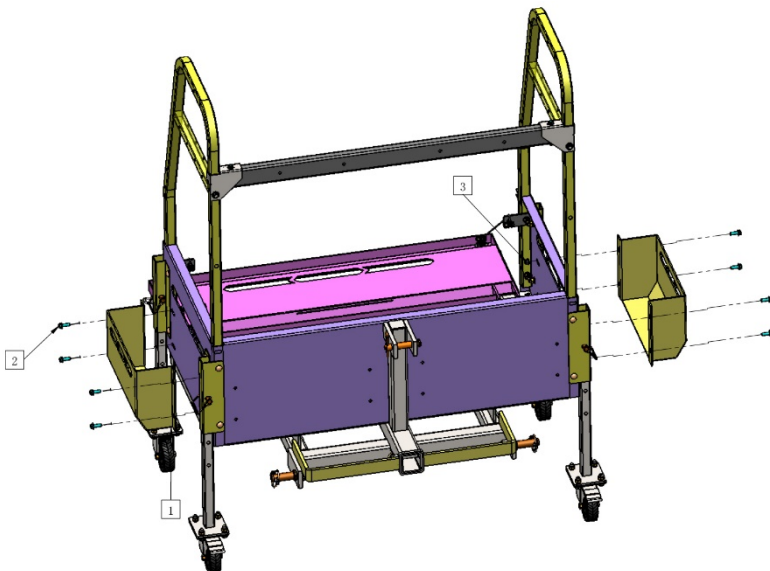
ASSEMBLY INSTRUCTIONS

3. REAR BIN



KEY	DESCRIPTION	QTY
(1)	REAR BIN	2
(2)	HEX FLANGE BOLT M8X20	8
(3)	HEX FLANGE LOCK NUT M8	8

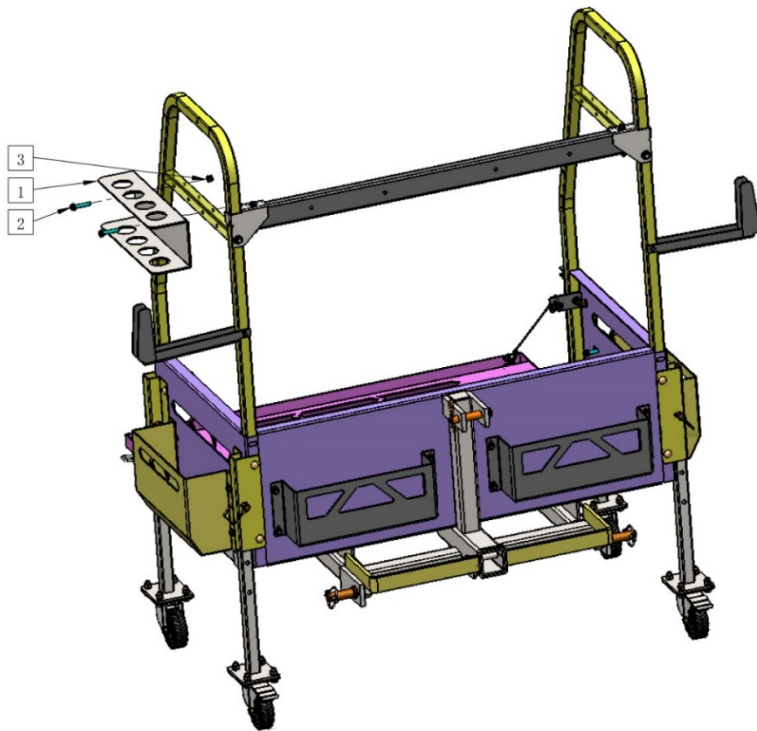
4. SIDE BIN



KEY	DESCRIPTION	QTY
1	SIDE BIN	2
2	HEX FLANGE BOLT M8X25	8
3	HEX FLANGE LOCK NUT M8	8

ASSEMBLY INSTRUCTIONS

6. TOOL HOLDER



KEY	DESCRIPTION	QTY
1	TOOL HOLDER	1
2	HEX FLANGE BOLT M8X45	8
3	HEX FLANGE LOCK NUT M8	8



*This concludes the PTBACCKIT Owner's Manual.
If applicable to your product, make sure to tighten
all nut-and-bolt combinations before use.*

Enjoy!

DISCLAIMER

This equipment must be used with care by capable and competent individuals under supervision, if necessary.

The use of any equipment, including this one, involves the potential risk of injury. You accept and assume full responsibility for any and all injuries, damages (both economic and non-economic), and losses of any type, which may occur, and you fully and forever release and discharge Titan, its insurers, employees, officers, directors, associates, and agents from any and all claims, demands, damages, rights of action, or causes of action, present or future, whether the same be known or unknown, anticipated, or unanticipated, resulting from or arising out of the use of said equipment.

TITAN MAKES NO WARRANTY WHATSOEVER WITH RESPECT TO THE EQUIPMENT, INCLUDING ANY WARRANTY OF MERCHANTABILITY OR WARRANTY OF FITNESS FOR A PARTICULAR PURPOSE, WHETHER EXPRESS OR IMPLIED BY LAW, COURSE OF DEALING, COURSE OF PERFORMANCE, USAGE OF TRADE OR OTHERWISE. BUYER ASSUMES ALL LIABILITY IN USE OF THE EQUIPMENT.

NEED HELP?

CONTACT US FIRST.

1 (800) 605-8241

info@titandistributorsinc.com / www.palletforks.com

Business Hours: Monday–Friday • 8:00 a.m.–5:00 p.m. (CT)

