



WWW.PALLETFORKS.COM
TITAN
ATTACHMENTS

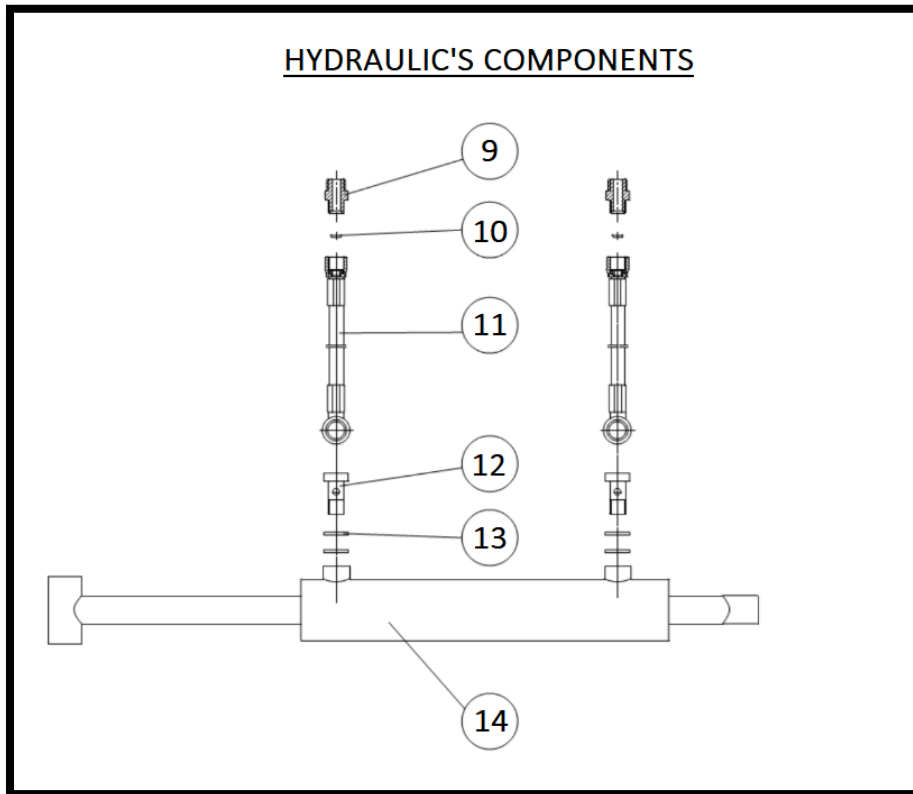
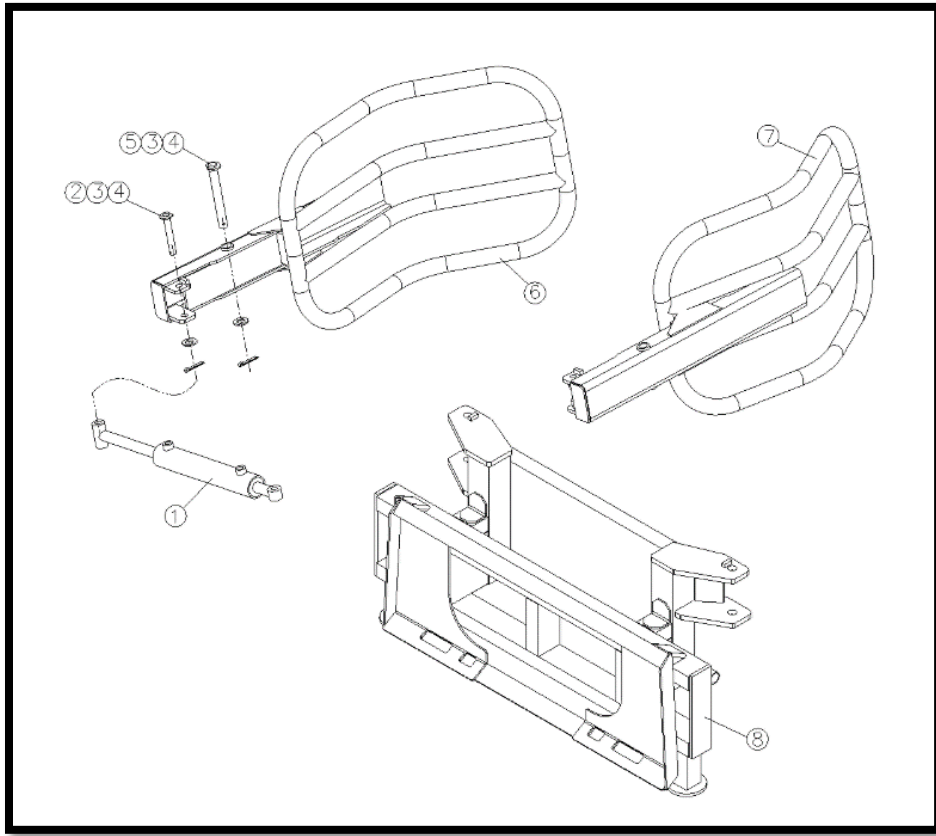


OWNER'S MANUAL

MPN(s): RDBLGRP

SKU(s): N/A

PARTS DIAGRAM / EXPLODED VIEW



KEY	DESCRIPTION	QTY
(1)	HYDRAULIC	x1
(2)	OIL CYLINDER PIN	x2
(3)	PLAIN WASHER 26	x4
(4)	Φ5-R PIN	x4
(5)	RUNNING PIN	x2
(6)	LEFT CLAMPING ARM	x1
(7)	RIGHT CLAMPING ARM	x1
(8)	MAIN FRAME	x1
(9)	TIE-IN R1/2	x2
(10)	O-RING SEAL 13x2.4	x2
(11)	OIL PIPE 2	x2
(12)	HOLLOW BOLT M18	x2
(13)	SEAL WASHER 18	x4
(14)	DUAL EFFECT CYLINDER	x1



*This concludes the RDBLGRP
Owner's Manual.*

Enjoy!

DISCLAIMER

This equipment must be used with care by capable and competent individuals under supervision, if necessary.

The use of any equipment, including this one, involves the potential risk of injury. You accept and assume full responsibility for any and all injuries, damages (both economic and non-economic), and losses of any type, which may occur, and you fully and forever release and discharge Titan, its insurers, employees, officers, directors, associates, and agents from any and all claims, demands, damages, rights of action, or causes of action, present or future, whether the same be known or unknown, anticipated, or unanticipated, resulting from or arising out of the use of said equipment.

TITAN MAKES NO WARRANTY WHATSOEVER WITH RESPECT TO THE EQUIPMENT, INCLUDING ANY WARRANTY OF MERCHANTABILITY OR WARRANTY OF FITNESS FOR A PARTICULAR PURPOSE, WHETHER EXPRESS OR IMPLIED BY LAW, COURSE OF DEALING, COURSE OF PERFORMANCE, USAGE OF TRADE OR OTHERWISE. BUYER ASSUMES ALL LIABILITY IN USE OF THE EQUIPMENT.

NEED HELP?

CONTACT US FIRST.

1 (800) 605-8241

info@titandistributorsinc.com / www.palletforks.com

Business Hours: Monday–Friday • 8:00 a.m.–5:00 p.m. (CT)

