



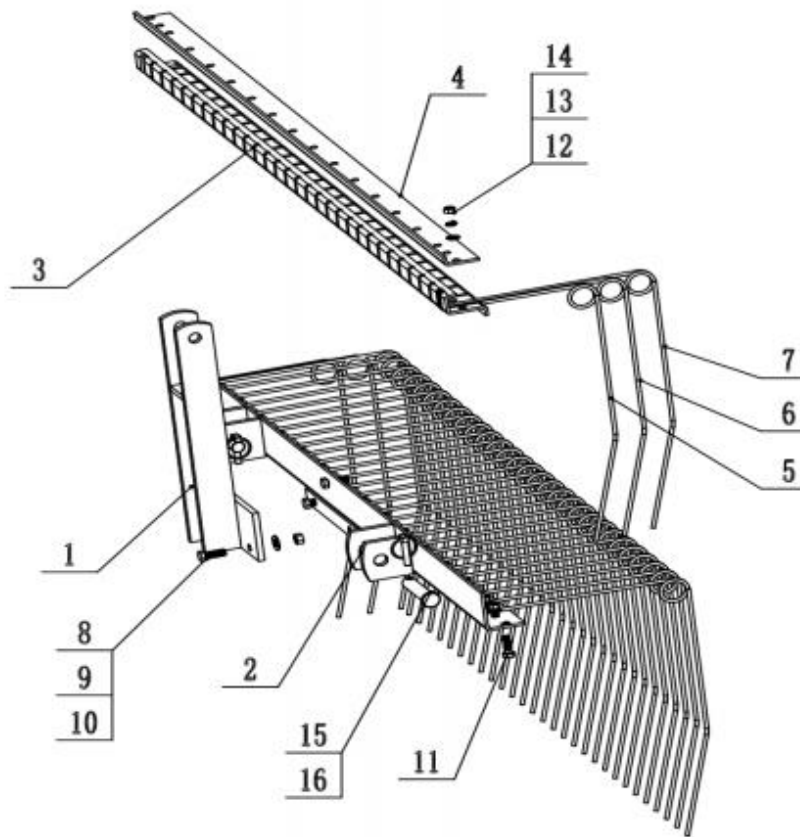
TITAN

ATTACHMENTS

MPN: PRAKE5/6

Owner's Manual





Parts List

Index	Description	Quantity
1	A-Frame	1
2	Main Frame	1
3	Tine Bar	1
4	Tine Support	1
5	Spring Tine 3	2
6	Spring Tine 2	2
7	Spring Tine 1	30/36
8	Bolt M12*35	3
9	Flat Washer Φ 12	3
10	Lock Nut M12	3
11	Bolt M10*35	18/21
12	Flat Washer Φ 10	18/21
13	Spring Washer Φ 10	18/21
14	Nut M10	18/21
15	Pin Φ 22*105	2
16	Pin	2

Assembly Instructions

1. Place the **MAIN FRAME (2)** on the edge of an elevated surface, so the tines will be able to hang off the side of the surface.
2. Set the **TINE BAR (3)** on top of the **MAIN FRAME (2)**.
3. Hook a **SPRING TINE 3 (5)**, **SPRING TINE 2 (6)**, and **SPRING TINE 1 (7)** through the end spaces of the **TINE BAR (3)** that have room for three tines. On each end space, make sure the **SPRING TINE 3 (5)** is the outermost tine and the **SPRING TINE 1 (7)** is the innermost tine.
4. Hook a single **SPRING TINE 1 (7)** through each of the remaining spaces of the **TINE BAR (3)**.
5. Once all tines are in the **TINE BAR (3)**, place the **TINE SUPPORT (4)** on top of the **TINE BAR (3)** and secure the **MAIN FRAME (2)**, **TINE BAR (3)**, and **TINE SUPPORT (4)** with **M10 NUTS (14)**, **Φ10 SPRING WASHERS (13)**, **Φ10 FLAT WASHERS (12)**, and **M10x35 BOLTS (11)**.
6. Secure the **A-FRAME (1)** to the **MAIN FRAME (2)** with **M12x35 BOLTS (8)**, **Φ12 FLAT WASHERS (9)**, and **M12 LOCK NUTS (10)**.

NEED HELP?
CONTACT US FIRST

1(800)-605-8241

info@titandistributorsinc.com / www.palletforks.com
Business hours: Monday - Friday • 8am - 5pm Central