



[WWW.PALLETFORKS.COM](http://WWW.PALLETFORKS.COM)  
**TITAN**  
ATTACHMENTS



## OWNER'S MANUAL

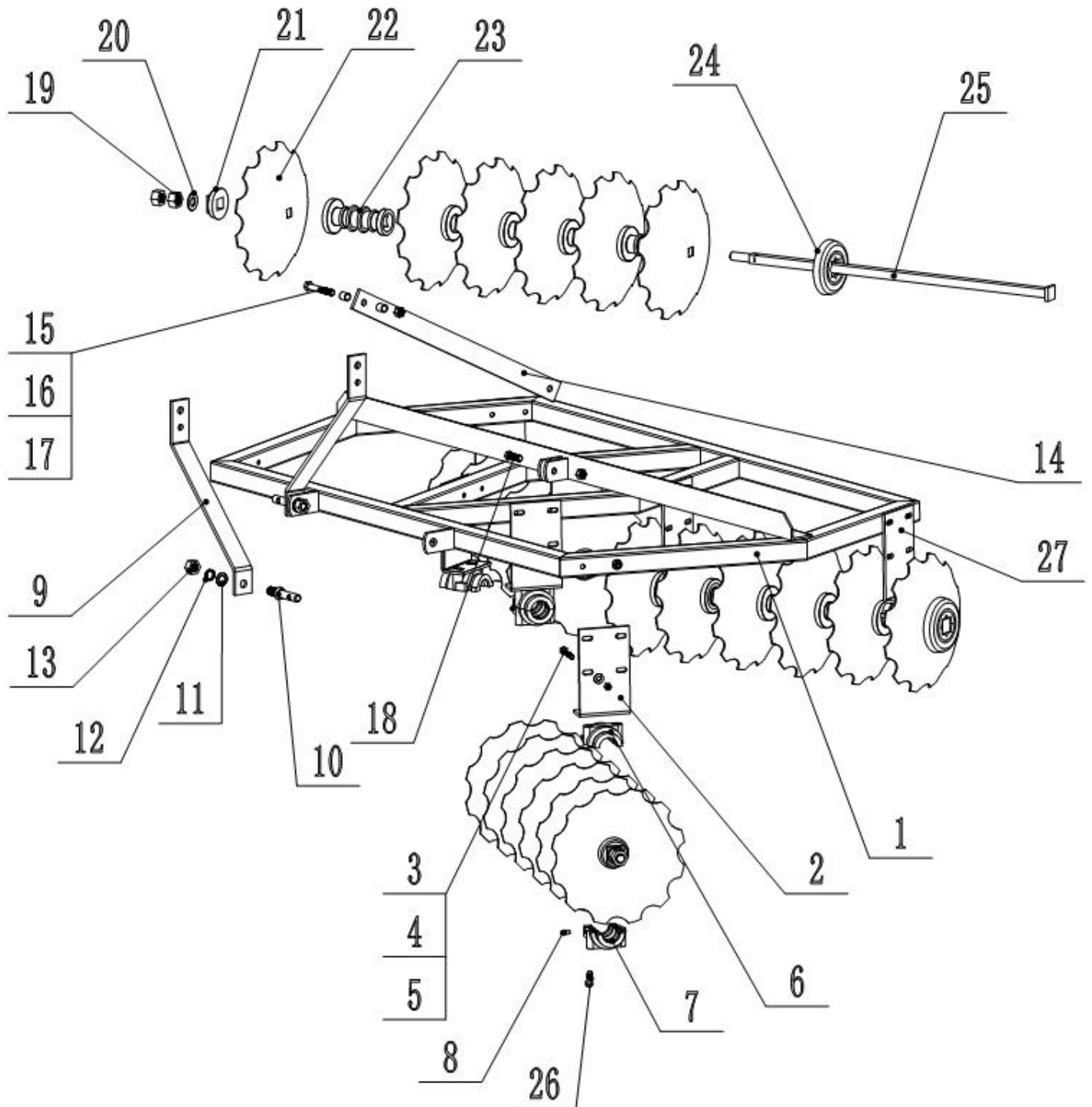
---

**MPN(s): DISCHRW4**

**SKU(s): 191326**

**UPC(s): 840009202971**

# PARTS DIAGRAM / EXPLODED VIEW



KEY	BOX	DESCRIPTION	QTY
(1)	1	Disc Harrow Frame	1
(2)	1	Front Disc Depth Bracket	4
(3)	1	M12x90mm Bolt	16
(4)	1	M12 Flat Washer	32
(5)	1	M12 Nylon Lock Nut	32
(6)	1	Upper Hub Mounting Body	8
(7)	1	Lower Hub Mounting Body	8
(8)	1	Grease Fitting	8
(9)	1	A Frame	2
(10)	1	Lift Pin	2
(11)	1	M22 Flat Washer	2
(12)	1	M22 Spring Washer	2
(13)	1	M22 Nut	2
(14)	1	A Frame Brace	1
(15)	1	M16x100mm Bolt	1
(16)	1	Spacer	2
(17)	1	M16 Nylon Lock Nut	2
(18)	1	M16x50 Bolt	1
(19)	1	M24 Nut	8
(20)	1	M24 Flat Washer	4
(21)	1	Inner Hub End Cap	4
(22)	1	Disc	12
(23)	1	Hub Axle	8
(24)	1	Outer Hub End Cap	4
(25)	1	Axle Shaft	4
(26)	1	M12x140mm Bolt	16
(27)	1	Rear Disc Adjusting Bracket	4





*This concludes the DISCHRW4 Owner's Manual.*

*If applicable to your product, make sure to tighten all nut-and-bolt combinations before use.*

*Enjoy!*

### **DISCLAIMER**

This equipment must be used with care by capable and competent individuals under supervision, if necessary.

The use of any equipment, including this one, involves the potential risk of injury. You accept and assume full responsibility for any and all injuries, damages (both economic and non-economic), and losses of any type, which may occur, and you fully and forever release and discharge Titan, its insurers, employees, officers, directors, associates, and agents from any and all claims, demands, damages, rights of action, or causes of action, present or future, whether the same be known or unknown, anticipated, or unanticipated, resulting from or arising out of the use of said equipment.

TITAN MAKES NO WARRANTY WHATSOEVER WITH RESPECT TO THE EQUIPMENT, INCLUDING ANY WARRANTY OF MERCHANTABILITY OR WARRANTY OF FITNESS FOR A PARTICULAR PURPOSE, WHETHER EXPRESS OR IMPLIED BY LAW, COURSE OF DEALING, COURSE OF PERFORMANCE, USAGE OF TRADE OR OTHERWISE. BUYER ASSUMES ALL LIABILITY IN USE OF THE EQUIPMENT.

**NEED HELP?**

**CONTACT US FIRST.**

**1(800)605-8241**

[info@titandistributorsinc.com](mailto:info@titandistributorsinc.com)/[www.palletforks.com](http://www.palletforks.com)

**Business Hours: Monday–Friday • 8:00 a.m.–5:00 p.m. (CT)**

