



WWW.PALLETFORKS.COM
TITAN
ATTACHMENTS



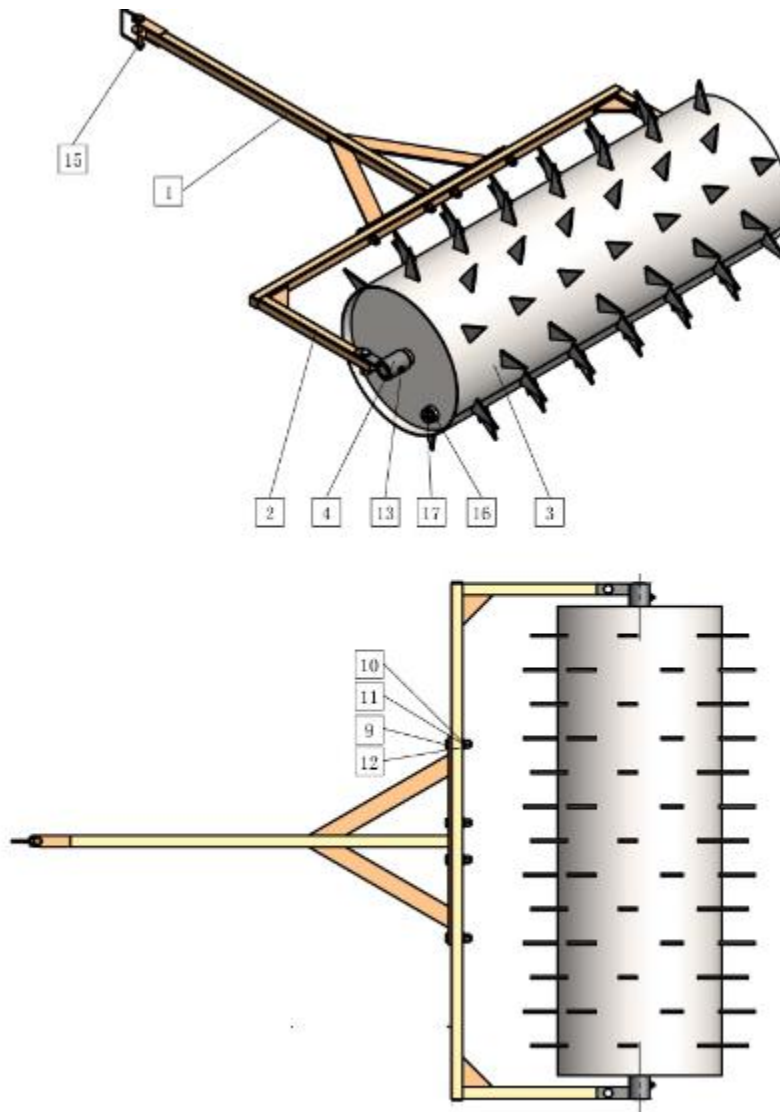
OWNER'S MANUAL

MPN(s): 36ATVBR

SKU(s): 191333

UPC(s): 840009205712

PARTS DIAGRAM / EXPLODED VIEW



1. Hitch Assy	x1
2. Drum Holder	x1
3. Spike Drum	x1
4. Rotary Shaft Sleeve Assy	x2
5. Hexa Bolt M12x50	x2
6. Flat Washer 12	x2
7. Spring Washer 12	x2
8. Hexa Nut M12	x2
9. Hexa Bolt M10x50	x4
10. Flat Washer 10	x4
11. Spring Washer 10	x4
12. Hexa Nut M10	x4
13. Grease Jerk	x2
14. Rotary Shaft	x2
15. Safety Pin \varnothing 12mm	x1
16. Plug Seal	x1
17. Plug	x1

This concludes the 36ATVBR Owner's Manual.

If applicable to your product, make sure to tighten all nut-and-bolt combinations before use.

Enjoy!

DISCLAIMER

This equipment must be used with care by capable and competent individuals under supervision, if necessary.

The use of any equipment, including this one, involves the potential risk of injury. You accept and assume full responsibility for any and all injuries, damages (both economic and non-economic), and losses of any type, which may occur, and you fully and forever release and discharge Titan, its insurers, employees, officers, directors, associates, and agents from any and all claims, demands, damages, rights of action, or causes of action, present or future, whether the same be known or unknown, anticipated, or unanticipated, resulting from or arising out of the use of said equipment.

TITAN MAKES NO WARRANTY WHATSOEVER WITH RESPECT TO THE EQUIPMENT, INCLUDING ANY WARRANTY OF MERCHANTABILITY OR WARRANTY OF FITNESS FOR A PARTICULAR PURPOSE, WHETHER EXPRESS OR IMPLIED BY LAW, COURSE OF DEALING, COURSE OF PERFORMANCE, USAGE OF TRADE OR OTHERWISE. BUYER ASSUMES ALL LIABILITY IN USE OF THE EQUIPMENT.

NEED HELP?

CONTACT US FIRST.

1 (800) 605-8241

info@titandistributorsinc.com / www.palletforks.com

Business Hours: Monday–Friday • 8:00 a.m.–5:00 p.m. (CT)

