

# REPLACEMENT TOOTH KIT

---

**SG16TPACK**

**191383**



## Operator's Manual

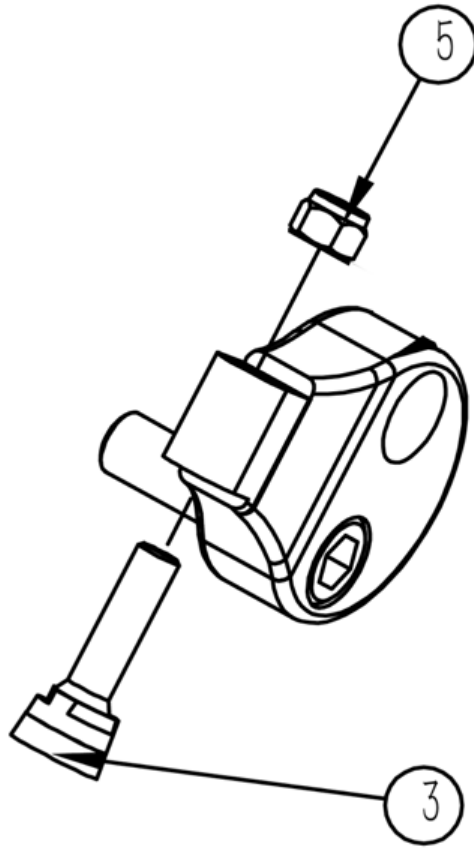


Read the Operator's Manual entirely. When you see this symbol, the subsequent instructions and warnings are serious follow without exception. Your life and the lives of others depend on it!

Cover photo may show optional equipment not supplied with standard unit. For an Operator's Manual and Decal Kit in French or Spanish Language, please see your dealer.

**PARTS DIAGRAM / EXPLODED VIEW**

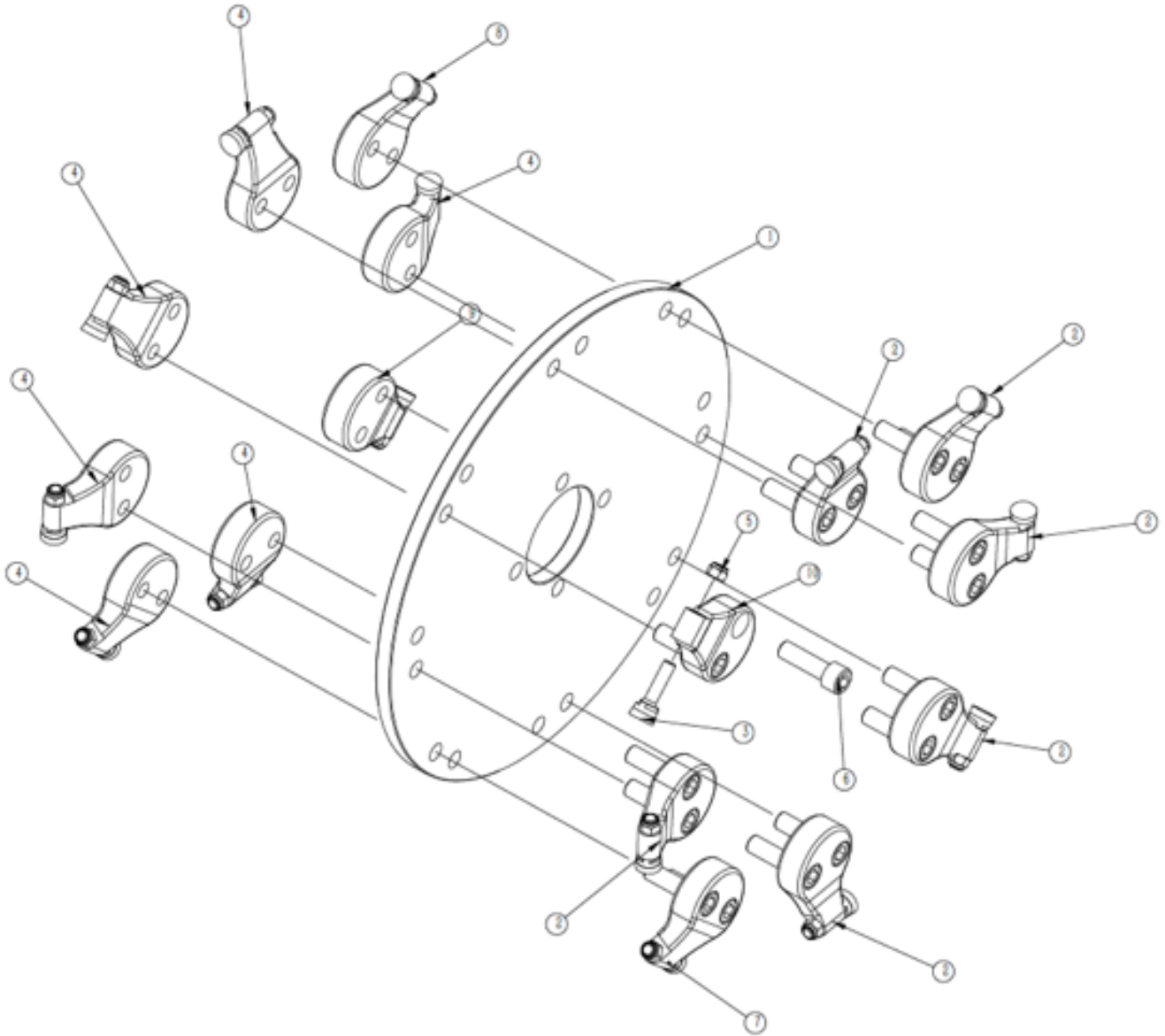
---



**TOOTH KIT REPLACEMENT FOR THE PT024STMPGRNDR AND 120STMPGRNDR**

KEY	BOX	DESCRIPTION	QTY
(3)	ESG47.4-8	Teeth 900	16
(5)	ASME B18.16.6	Nylon Insert Lock Nuts	16

# ASSEMBLY INSTRUCTIONS



KEY	BOX	DESCRIPTION	QTY	KEY	BOX	DESCRIPTION	QTY
(1)	SSG61.4-7	CUTTING WHEEL	1	(6)	ASME B18.3	HEX SOCKET HEAD BOLT	16
(2)	ESG47.4-2	TEETH BASE900-2	6	(7)	ESG47.4-4	TEETH BASE900-4	1
(3)	ESG47.4-8	TEETH 900	16	(8)	ESG47.4-5	TEETH BASE900-5	1
(4)	ESG47.4-3	TEETH BASE900-3	6	(9)	ESG47.4-6	TEETH BASE900-6	1
(5)	ASME B18.16.6	NYLON INSERT LOCK NUTS	16	(10)	ESG47.4-1	TEETH BASE900-1	1

## DISCLAIMER

---

This equipment must be used with care by capable and competent individuals under supervision, if necessary.

The use of any equipment, including this one, involves the potential risk of injury. You accept and assume full responsibility for any and all injuries, damages (both economic and non-economic), and losses of any type, which may occur, and you fully and forever release and discharge Titan, its insurers, employees, officers, directors, associates, and agents from any and all claims, demands, damages, rights of action, or causes of action, present or future, whether the same be known or unknown, anticipated, or unanticipated, resulting from or arising out of the use of said equipment.

## WARNING

---



**Do not overfill!** Mower should be level when checking oil in gear box.



some activities might be able to cause electric shock



Sharp objects may be involved.  
Use protective cover during maintenance.

## WARRANTY

---

This product comes with a one (1) year limited warranty that can be found at [www.palletforks.com/warranty.html](http://www.palletforks.com/warranty.html). Please review the same for all details regarding the Titan Limited Warranty.

THE TITAN LIMITED WARRANTY FOUND AT [URL.ADDRESS] IS EXCLUSIVE AND IS IN LIEU OF ALL OTHER WARRANTIES, EXPRESS OR IMPLIED, INCLUDING ANY IMPLIED WARRANTY OF MERCHANTABILITY AND/OR FITNESS FOR A PARTICULAR PURPOSE, EACH OF WHICH IS HEREBY DISCLAIMED.



**NEED HELP? CONTACT US FIRST.**

**1-800-605-7595**

**[info@palletworks.com](mailto:info@palletworks.com)  
[www.palletforks.com](http://www.palletforks.com)**

**© 2021 Titan Brands**