



[WWW.PALLETFORKS.COM](http://WWW.PALLETFORKS.COM)

**TITAN**  
ATTACHMENTS



## OWNER'S MANUAL

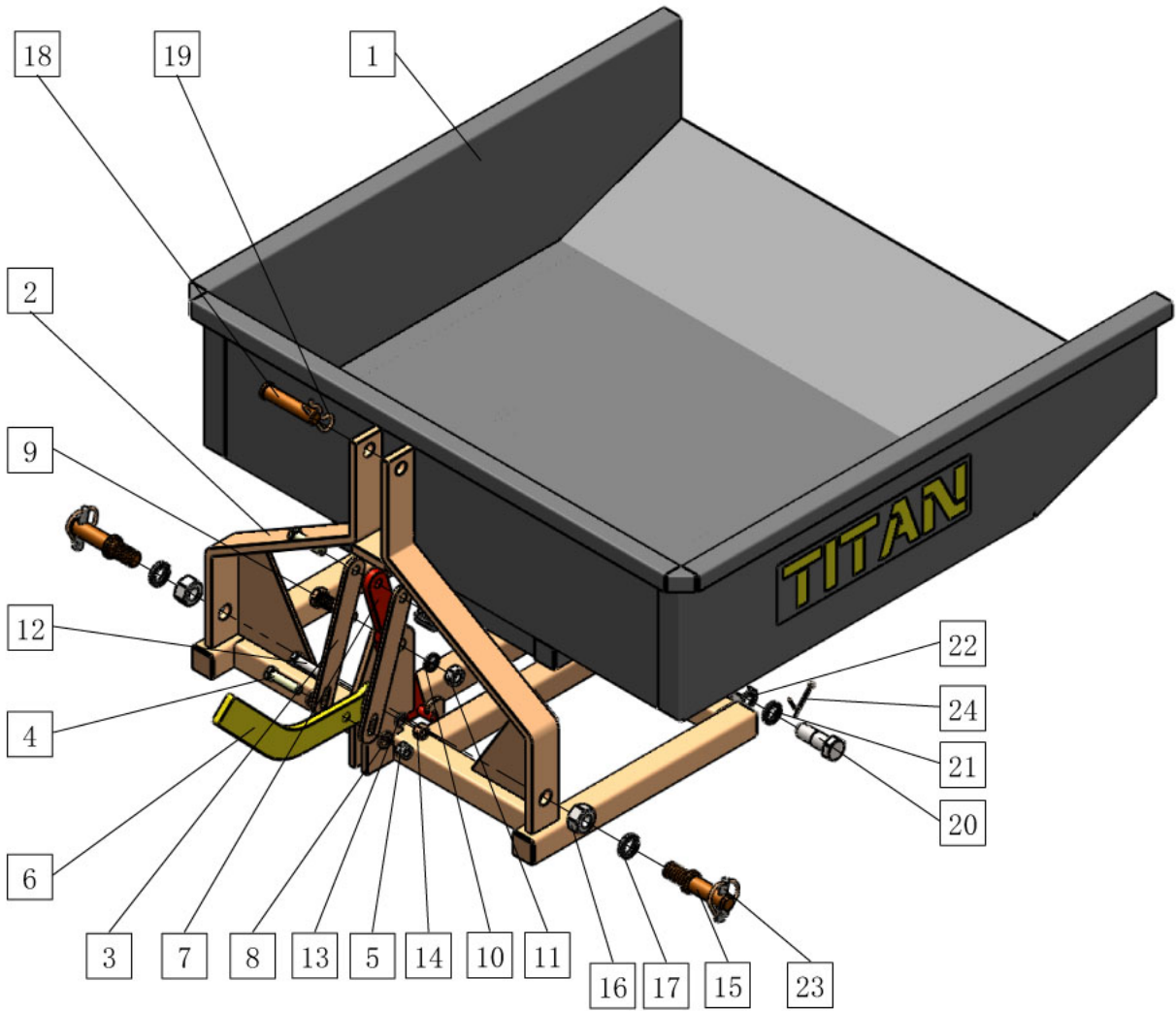
---

**MPN(s):** 10DUMPBOXv2

**SKU(s):** 191506

**UPC(s):** 840009207112

# PARTS DIAGRAM / EXPLODED VIEW



KEY	BOX	DESCRIPTION	QTY
(1)		DUMP BOX	1
(2)		MAIN FRAME	1
(3)		HANDLE LINK PLATE	2
(4)		HEXA BOLT M12x50	2
(5)		HEXA LOCK NUT M12	2
(6)		HANDLE	1
(7)		HANDLE LEVER	1
(8)		FLAT WASHER 12	2
(9)		HEXA BOLT M16x60	1
(10)		SPRING WASHER 16	1
(11)		HEXA NUT M16	1
(12)		HEXA BOLT M12x60	1
(13)		SPRING WASHER 12	1
(14)		HEXA NUT M12	1
(15)		TD LOWER PIN (TD104)	2
(16)		HEXA NUT M22	2
(17)		SPRING WASHER 22	2
(18)		TD TOP PIN (TD105)	1
(19)		COTTER PIN 3.7x65	1
(20)		HEXA BOLT WITH HOLE M20X60	2
(21)		HEXA NUT WITH SLOT M20	2
(22)		SPRING WASHER 20	2
(23)		RING SHAPE LOCK PIN $\phi$ 9.5	2
(24)		COTTER PIN 4X45	2

## ASSEMBLY INSTRUCTIONS

---

- This product is sold as a completely assembled unit.





*This concludes the 10DUMPBOXv2 Owner's Manual.  
If applicable to your product, make sure to tighten all  
nut-and-bolt combinations before use.*

*Enjoy!*

### **DISCLAIMER**

This equipment must be used with care by capable and competent individuals under supervision, if necessary.

The use of any equipment, including this one, involves the potential risk of injury. You accept and assume full responsibility for any and all injuries, damages (both economic and non-economic), and losses of any type, which may occur, and you fully and forever release and discharge Titan, its insurers, employees, officers, directors, associates, and agents from any and all claims, demands, damages, rights of action, or causes of action, present or future, whether the same be known or unknown, anticipated, or unanticipated, resulting from or arising out of the use of said equipment.

TITAN MAKES NO WARRANTY WHATSOEVER WITH RESPECT TO THE EQUIPMENT, INCLUDING ANY WARRANTY OF MERCHANTABILITY OR WARRANTY OF FITNESS FOR A PARTICULAR PURPOSE, WHETHER EXPRESS OR IMPLIED BY LAW, COURSE OF DEALING, COURSE OF PERFORMANCE, USAGE OF TRADE OR OTHERWISE. BUYER ASSUMES ALL LIABILITY IN USE OF THE EQUIPMENT.

**NEED HELP?**

**CONTACT US FIRST.**

**1 (800) 605-8241**

[info@titandistributorsinc.com](mailto:info@titandistributorsinc.com) / [www.palletforks.com](http://www.palletforks.com)

**Business Hours: Monday–Friday • 8:00 a.m.–5:00 p.m. (CT)**

