



WWW.PALLETFORKS.COM
TITAN
ATTACHMENTS



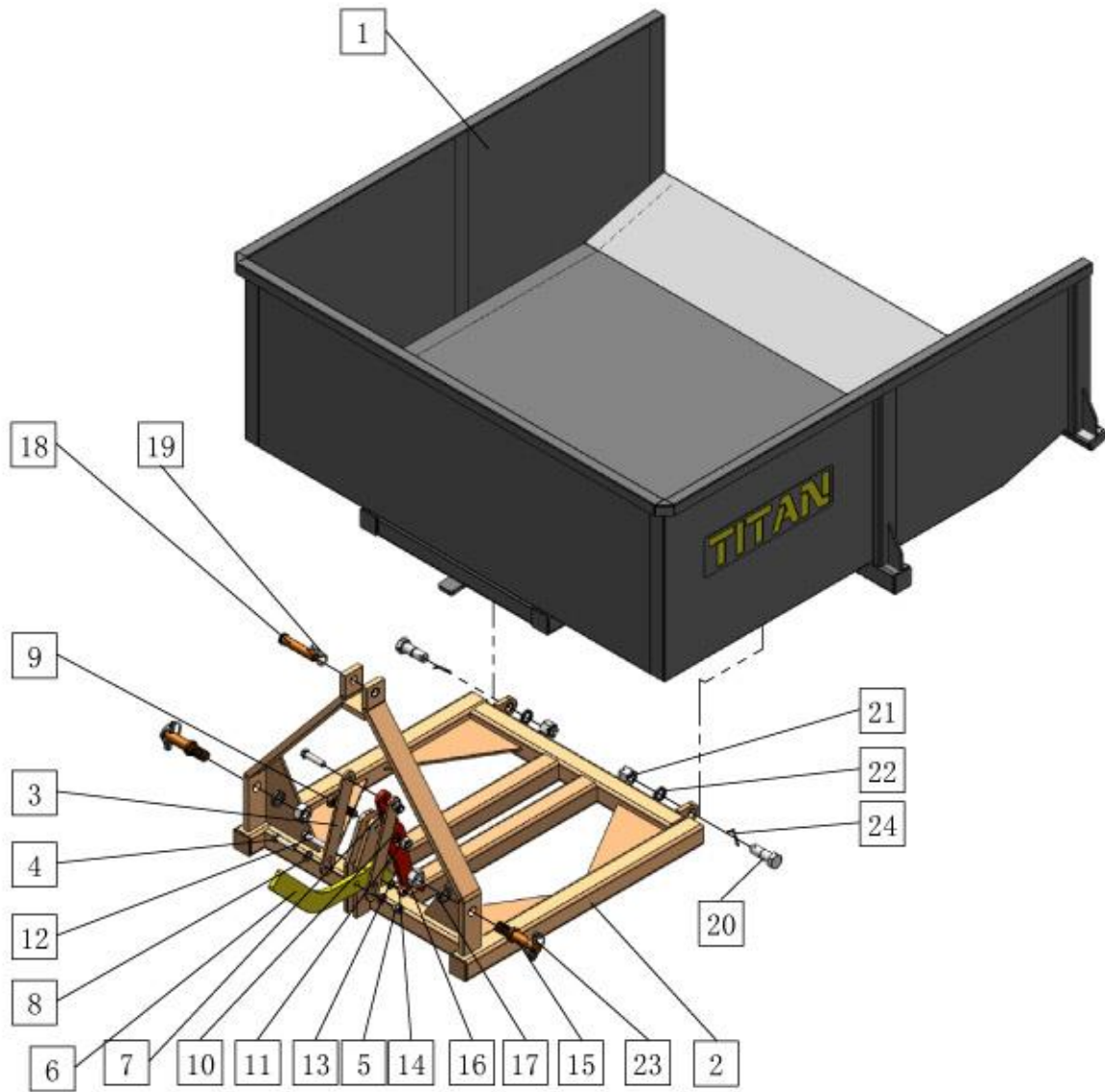
OWNER'S MANUAL

MPN(s): 30DUMPBOX

SKU(s): 191435

UPC(s): 840009204180

PARTS DIAGRAM / EXPLODED VIEW



KEY	BOX	DESCRIPTION	QTY
(1)		Dump Box	1
(2)		Base Frame	1
(3)		Latch Lever Bar-1	2
(4)		Hexa Bolt M12x50	2
(5)		Hexa Lock Nut M12	2
(6)		Latch Handle	1
(7)		Latch Lever Bar-2	1
(8)		Flat Washer 12	2
(9)		Hexa Bolt M16x60	1
(10)		Spring Washer 16	1
(11)		Hexa Nut M16	1
(12)		Hexa Bolt M12x60	1
(13)		Spring Washer 12	1
(14)		Hexa Nut M12	1
(15)		CAT1 Lower Pin	2
(16)		Hexa Nut M22	2
(17)		Spring Washer 22	2
(18)		CAT1 Upper Pin	1
(19)		Cotter Pin-1	1
(20)		Hexa Bolt M20x60	2
(21)		Hexa Nut M20	2
(22)		Spring Washer 20	2
(23)		Ring shape Lock Pin	2
(23)		Cotter Pin-2	2



ASSEMBLY INSTRUCTIONS





This concludes the 30DUMPBOX Owner's Manual.

If applicable to your product, make sure to tighten all nut-and-bolt combinations before use.

Enjoy!

DISCLAIMER

This equipment must be used with care by capable and competent individuals under supervision, if necessary.

The use of any equipment, including this one, involves the potential risk of injury. You accept and assume full responsibility for any and all injuries, damages (both economic and non-economic), and losses of any type, which may occur, and you fully and forever release and discharge Titan, its insurers, employees, officers, directors, associates, and agents from any and all claims, demands, damages, rights of action, or causes of action, present or future, whether the same be known or unknown, anticipated, or unanticipated, resulting from or arising out of the use of said equipment.

TITAN MAKES NO WARRANTY WHATSOEVER WITH RESPECT TO THE EQUIPMENT, INCLUDING ANY WARRANTY OF MERCHANTABILITY OR WARRANTY OF FITNESS FOR A PARTICULAR PURPOSE, WHETHER EXPRESS OR IMPLIED BY LAW, COURSE OF DEALING, COURSE OF PERFORMANCE, USAGE OF TRADE OR OTHERWISE. BUYER ASSUMES ALL LIABILITY IN USE OF THE EQUIPMENT.



NEED HELP?

CONTACT US FIRST.

1 (800) 605-8241

info@titandistributorsinc.com / www.palletforks.com

Business Hours: Monday–Friday • 8:00 a.m.–5:00 p.m. (CT)

