



WWW.PALLETFORKS.COM  
**TITAN**  
ATTACHMENTS



## OWNER'S MANUAL

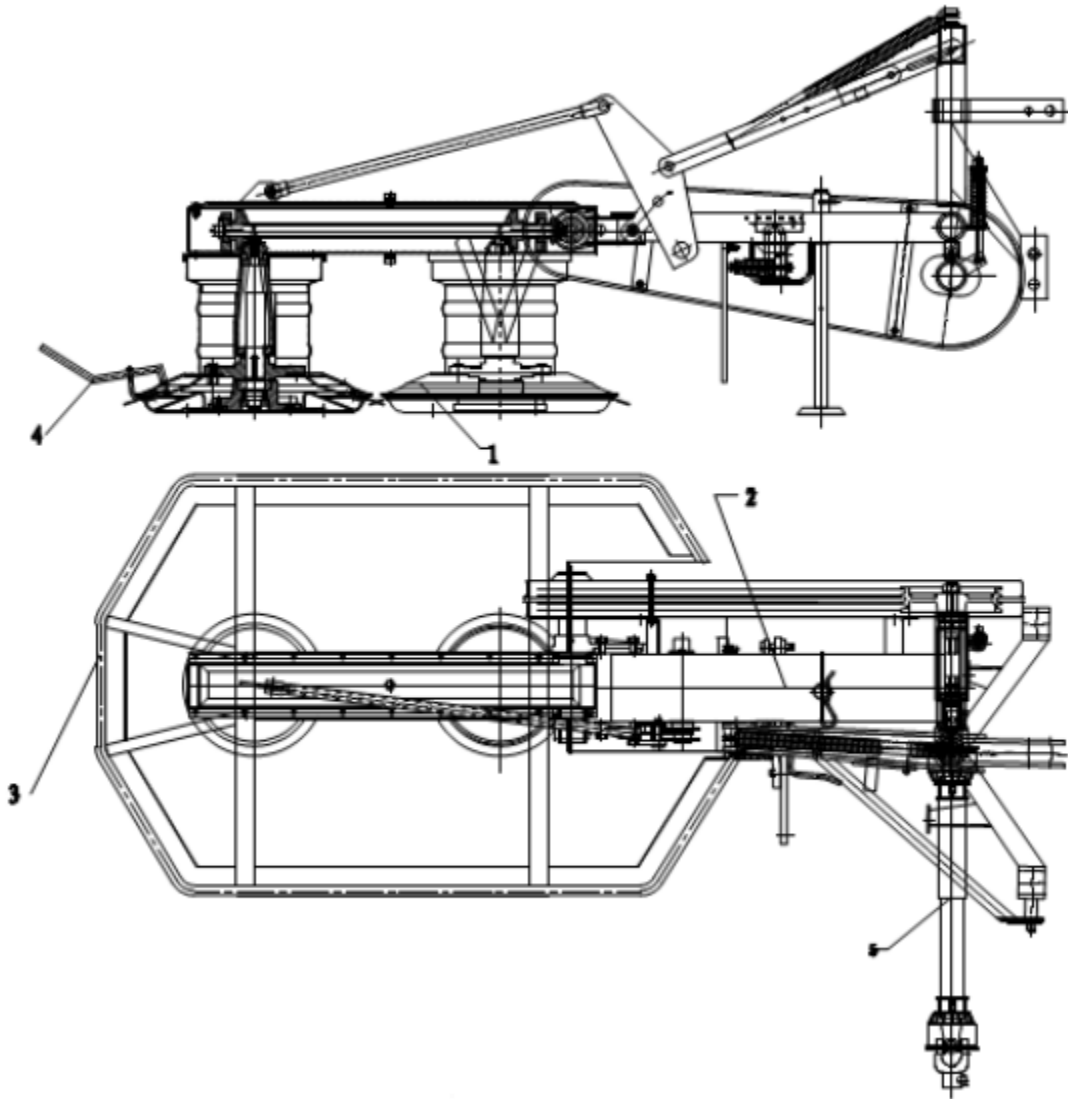
---

**MPN(s):** DMWR135

**SKU(s):** 191436

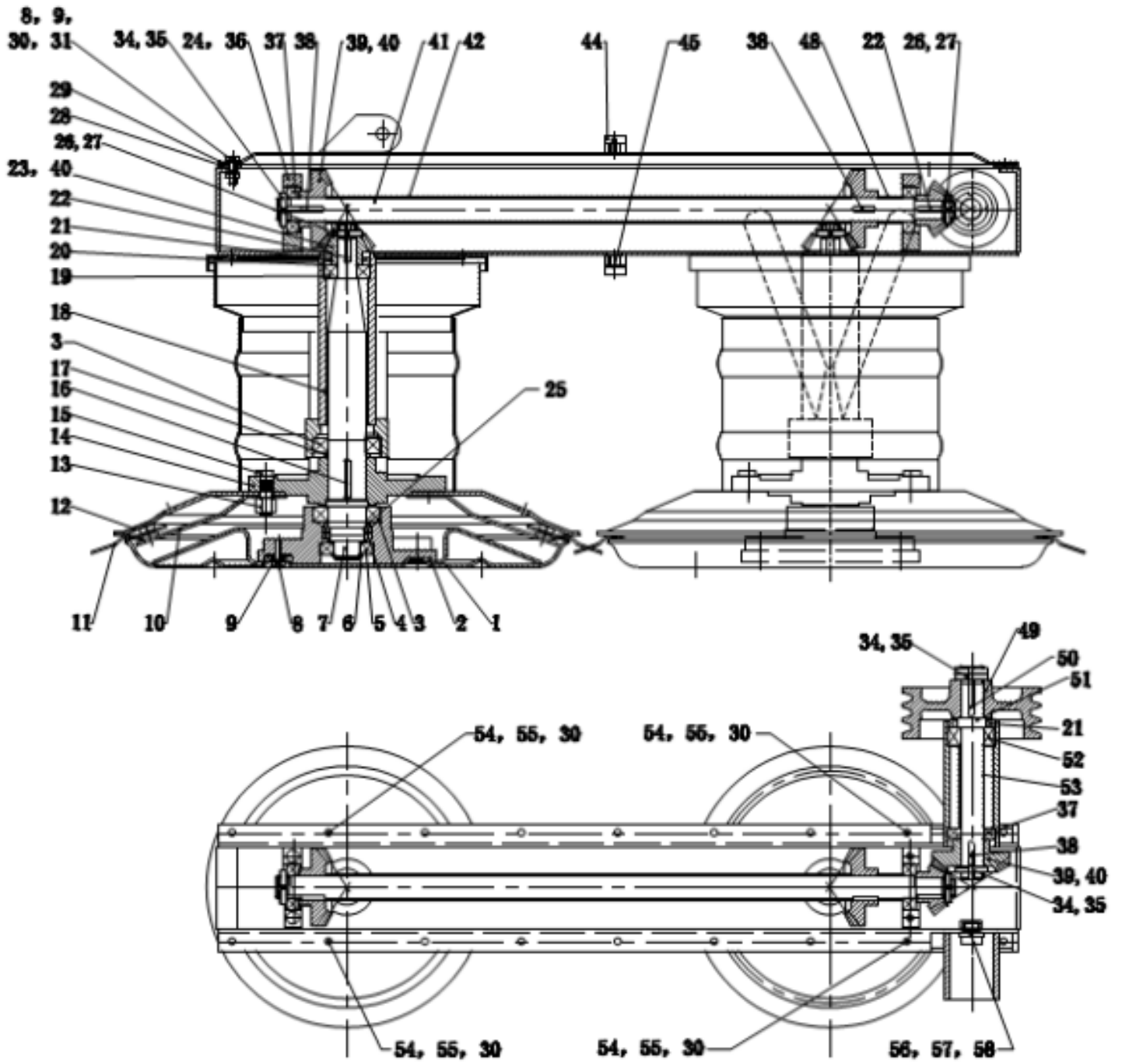
**UPC(s):** 840009204296

# PARTS DIAGRAM / EXPLODED VIEW



KEY	DESCRIPTION	QTY
(1)	MOWING ASSEMBLY	1
(2)	TRANSMISSION ASSEMBLY	1
(3)	COVER	1
(4)	HANDLE, BLADE REPLACEMENT	1
(5)	PTO SHAFT	1

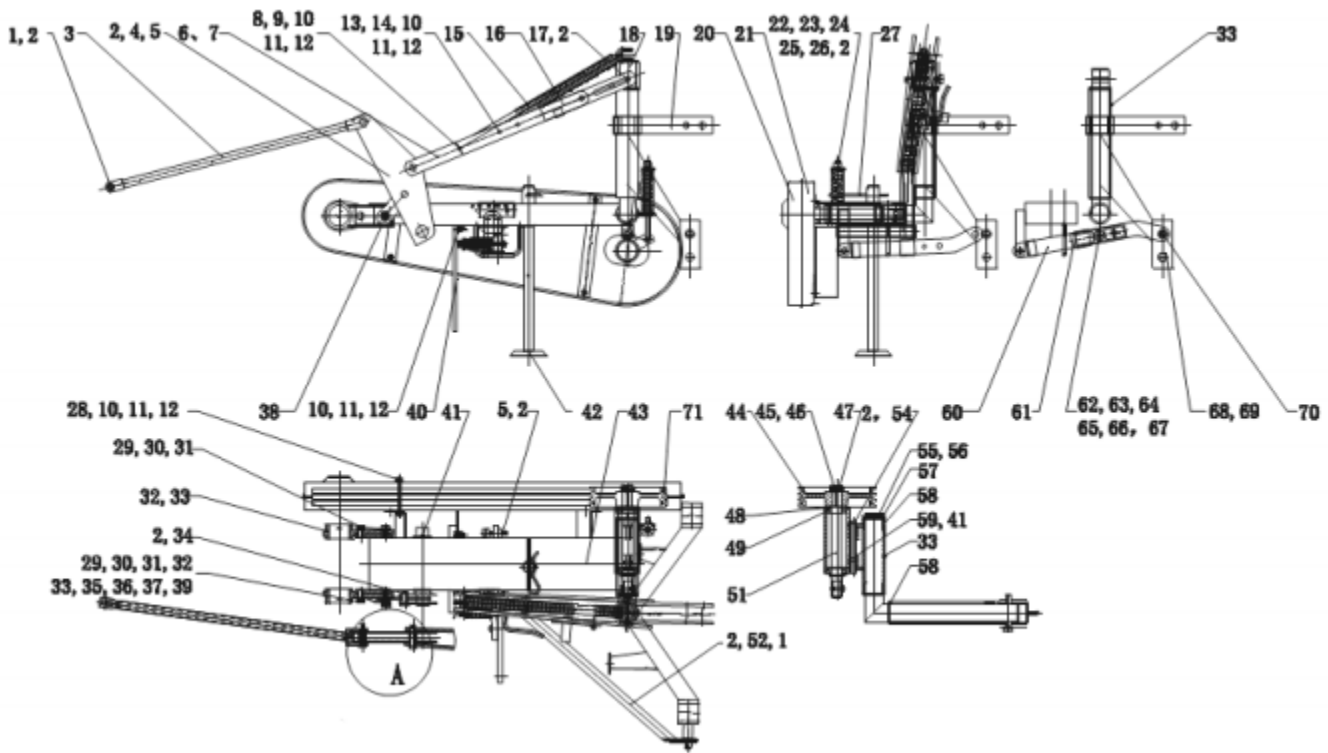
# PARTS DIAGRAM / EXPLODED VIEW



KEY	PART NUMBER	DESCRIPTION	QTY	KEY	PART NUMBER	DESCRIPTION	QTY
(1)	DM135.10.010	Saucer	2	(28)	DM135.10.109	Gasket	1
(2)	DM135.10.101	Saucer Holder	2	(29)	DM135.10.014	Cover, Main Frame	1
(3)	GB/T276-1994	Bearing 6210 2rz	4	(30)	GB/T97.1-2002	Washer 10	22
(4)	GB/T301-1995	Bearing 51109	2	(31)	GB6170-2000	Nut M10	18
(5)	GB/T276-1994	Bearing 6207 2rz	2	(34)	GB/T810-1988	Round Nut M30 X1.5x8	4
(6)	GB/T8941.1-1986	Retaining Ring 35, Shaft	2	(35)	GB/T810-1988	Round Nut M30x1.5x8	4
(7)	DM135.10.102	Drum Shaft	2	(36)	DM135.10.111	Bearing Seat	2
(8)	GB5783-2000	Bolt M10x30	18	(37)	GB/T276-1994	Bearing 6206 2rz	3
(9)	GB/T93-1987	Lock Washer	18	(38)	GB1096-2003	Key 8x7x32	3
(10)	DM135.10.011	Blade Holder	6	(39)	DM135.10.112	Bevel Gear 3	3
(11)	DM135.10.103	Blade	6	(40)	DM135.10.113	Gasket, Adjustment	1
(12)	DM135.10.012	Drum, Weldment	2	(41)	DM135.10.114	Drive Shaft	1
(13)	GB/T889.2-2000	Lock Nut M16x1.5	12	(42)	DM135.10.115	Long Spacer	1
(14)	DM135.10.104	Hub, Driving	2	(44)	DM135.10.117	Vent Bolt M16x15	1
(15)	DM135.10.105	Bolt M16x1.5	12	(45)	DM135.10.118	Plug M16x15	1
(16)	GB1096-2003	Key 8x7x55	2	(48)	DM135.10.119	Spacer	1
(17)	DM135.10.106	Gasket	2	(49)	DM135.10.120	Pulley	1
(18)	DM135.10.013	Main Frame	1	(50)	GB1096-2003	Key 8x7x45	1
(19)	GB/T276-1994	Bearing 6210 2rz	2	(51)	DM135.10.121	Shaft	1
(20)	GB893.1-1986	Circlip 62	2	(52)	GB/T296-1994	Bearing 3206rz	1
(21)	GB9877.1-1988	Ring Fb40x62x8	2	(53)	DM135.10.123	Spacer	1
(22)	GB1096-2003	Key 8x7x35	3	(54)	GB5782-2000	Bolt M10x60	4
(23)	DM135.10.107	Pinion	3	(55)	GB/T889.1-2000	Nut M10	4
(24)	GB/T70.1-2000	Screw M10x80	4	(56)	JB/ZQ4450-1986	Plug M20x1.5	1
(25)	DM135.10.108	Washer 24	3	(57)	GB6173-2000	Nut M20x1.5	1
(26)	GB/T810-1988	Round Nut M24x1.5x8	3	(58)	JB/ZQ4454-1986	Copper Gasket 20	1
(27)	GB/T858-1988	Washer 24	3				



# PARTS DIAGRAM / EXPLODED VIEW



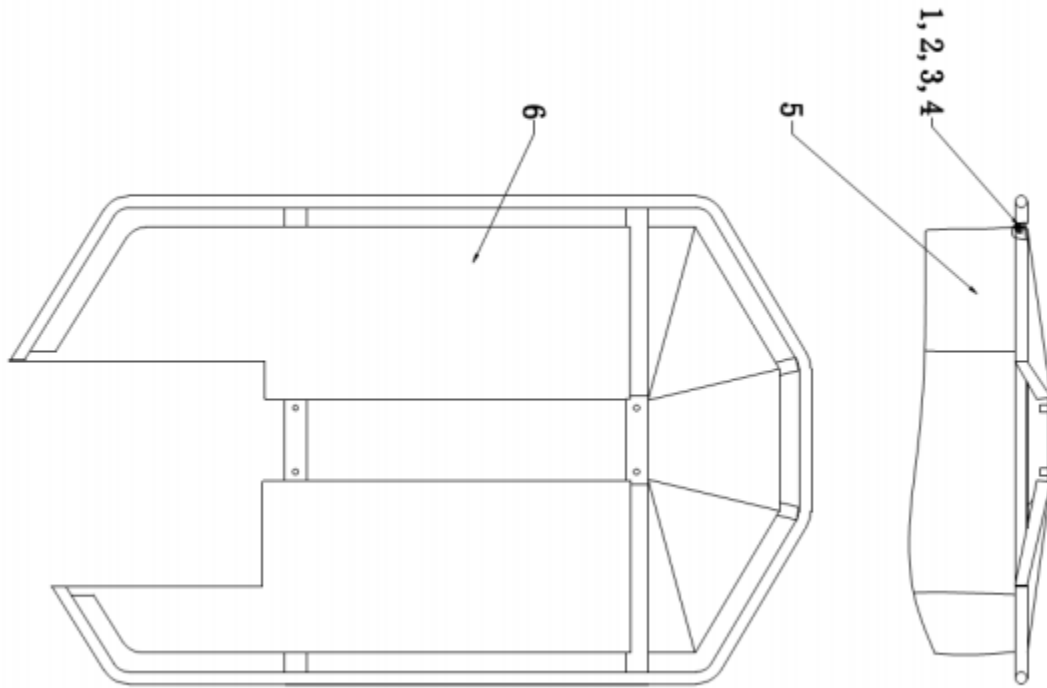
KEY	PART NUMBER	DESCRIPTION	QTY	KEY	PART NUMBER	DESCRIPTION	QTY
(1)	DM135.20.101	Pin 16	2	(36)	DM135.20.117	Lock Plate	1
(2)	GB/T91-2000	Cotter 4X25	9	(37)	DM135.20.118	Link Bush	1
(3)	DM135.20.010	Extension Bar	1	(38)	DM135.20.119	Link Plate	1
(4)	DM135.20.011	Lift Bracket	1	(39)	DM135.20.123	Connecting Block	1
(5)	DM135.20.102	Pin 16X75	2	(40)	DM135.20.022	Protective Plate	1
(6)	DM135.20.012	Lift Plate	1	(41)	GB/T91-2000	Cotter 4X50	1
(7)	DM135.20.147	Link Plate	1	(42)	DM135.20.016	Stand Leg	1
(8)	DM135.20.103	Spacer	1	(43)	DM135.20.017	Sub-Frame	1
(9)	GB5782-2000 Bolt	M10x90	1	(44)	DM135.20.122	Pulley	1
(10)	GB/T93-2000	Washer 10	7	(45)	GB/T810-1988	Round Nut M30X1.5X8	2
(11)	GB/T97.1-2002	Washer 10	7	(46)	GB/T858-1988	Round Washer	1
(12)	GB/T6170-2000	Nut M10	7	(47)	GB1096-2003	Key 8X7X50	1
(13)	DM135.20.104	Spacer	1	(48)	DM135.20.124	Adjustment Washer	2
(14)	GB5782-2000	Bolt M10X100	1	(49)	GB/T276-93	Bearing 6207	2



<b>(15)</b>	DM135.20.105	Extension Spring 1	<b>1</b>	<b>(51)</b>	DM135.20.127	Spline Shaft	<b>1</b>
<b>(16)</b>	DM135.20.013	Linkage 1	<b>1</b>	<b>(52)</b>	DM135.20.018	Transport Bar	<b>1</b>
<b>(17)</b>	DM135.20.106	Pin 16X112 1	<b>1</b>	<b>(54)</b>	DM135.20.129	Pin	<b>1</b>
<b>(18)</b>	DM135.20.014	Cap 1	<b>1</b>	<b>(55)</b>	DM135.20.128	Pin	<b>1</b>
<b>(19)</b>	DM135.20.015	Hitch Frame 1	<b>1</b>	<b>(56)</b>	DM135.20.019	Pivot	<b>1</b>
<b>(20)</b>	DM135.20.107	Cover, Outside 1	<b>1</b>	<b>(57)</b>	DM135.20.121	Adjustment Washer	<b>1</b>
<b>(21)</b>	DM135.20.108	Cover, Inside 1	<b>1</b>	<b>(58)</b>	DM135.20.125	Nylon Bush	<b>4</b>
<b>(22)</b>	DM135.20.109	Connecting Bolt M16 1	<b>1</b>	<b>(59)</b>	DM135.20.020	Housing	<b>1</b>
<b>(23)</b>	DM135.20.110	Guide Bush 1	<b>1</b>	<b>(60)</b>	DM135.20.021	Slide Plate, Breakaway	<b>1</b>
<b>(24)</b>	GB/T889.1-2000	Lock Nut M16 1	<b>1</b>	<b>(61)</b>	DM135.20.130	Clamp	<b>1</b>
<b>(25)</b>	DM135.20.111	Compression Spring 1	<b>1</b>	<b>(62)</b>	DM135.20.131	Compression Spring 2	<b>1</b>
<b>(26)</b>	GB/T97.1-2002	Washer 16X40X3	<b>1</b>	<b>(63)</b>	DM135.20.132	Bolt M12X150	<b>1</b>
<b>(27)</b>	DM135.20.112	Spring Clip 1	<b>1</b>	<b>(64)</b>	GB/T6170-2000	Nut M12	<b>1</b>
<b>(28)</b>	DM135.20.113	Rod M10 4	<b>4</b>	<b>(65)</b>	GB/T93-1987	Lock Washer 12	<b>1</b>
<b>(29)</b>	GB5783-2000 Bolt	M16x30 3	<b>3</b>	<b>(66)</b>	DM135.20.133	Bush	<b>1</b>
<b>(30)</b>	GB/T93-1987	Washer 16 4	<b>4</b>	<b>(67)</b>	GB/T96.2-2002	Large Washers	<b>1</b>
<b>(31)</b>	DM135.20.114	Lock Plate 1	<b>1</b>	<b>(68)</b>	DM135.20.134	Pin 25	<b>2</b>
<b>(32)</b>	DM135.20.115	Connecting Block	<b>1</b>	<b>(69)</b>	DM135.20.135	Locking Pin 12	<b>2</b>
<b>(33)</b>	JB/T7940.1-1995	Zerk M6 4	<b>4</b>	<b>(70)</b>	DM135.20.136	Locking Pin 8	<b>1</b>
<b>(34)</b>	DM135.20.116	Pin 19X42 1	<b>1</b>	<b>(71)</b>	GB/T11544-1997	V—Belt B17X2650	<b>3</b>
<b>(35)</b>	GB5783-2000	Bolt M16X45 1	<b>1</b>				



# PARTS DIAGRAM / EXPLODED VIEW



KEY	PART NUMBER	DESCRIPTION	QTY
(1)	GB5783-2000	BOLT M6X16 25	25
(2)	GB/T97.1-2002	PLAIN WASHER 6 25	25
(3)	GB/T93-2000	LOCK WASHER 6 25	25
(4)	GB/T6170-2000	NUT M6 25	25
(5)	DM135.30.101	TARPAULIN 1	1
(6)	DM135.30.010	FRAME, WELDMENT 1	1

# ASSEMBLY INSTRUCTIONS

1. There are four parts inside the package, main body-1, hanging hitch-2, connection parts-3, cover-4.



2. Get all the parts out and assemble hanging hitch and connection parts to the main body, finally assemble the cover.

## BEFORE OPERATING

1. Read all instructional and safety decals provided with your machine.
2. Allow only responsible, properly instructed individuals to operate your machine. Carefully supervise inexperienced operators.
3. Use a tractor that meets the tractor requirements contained within this manual. Additional tractor weights may be necessary.
4. Make sure the machine is in good operating condition and that all protective shields and curtains are in place and in proper working order.
5. Be sure all bystanders and other workers are clear before starting machine.
6. Make no modifications to the machine.

## DURING OPERATION

1. Always disengage power take-off, shut off tractor engine, place transmission in park or set park brake, and wait for blade rotation to stop before working on or near mower for any reason including cleaning, inspecting or servicing machine.
2. The tractor Power take-off must be equipped with an over-riding clutch or one must be added to the mower PTO shaft.
3. Keep hands and feet away from rotating blades and other moving parts. 10



4. Never allow riders on the mower.
5. Insist that all bystanders and other stay clear of work area when mower is operating.
6. Exercise extreme care when operating on rough and/or steep terrain. Avoid operation on terrain that is excessively rough or steep.
7. Use a tractor equipped with 540-rpm power take-off.

## **DURING SERVICE AND MAINTENANCE**

1. Before removing pins from flotation assembly, consult instructions in this manual. Flotation assembly will spring back quickly if proper safety precautions are not taken.
2. Use only replacement parts that are recommended by Manufacturing Company.
3. If it is necessary to operate the tractor indoors for more than a few seconds, be sure to provide enough ventilation to remove the toxic exhaust fumes.

## **DURING TRANSPORT**

1. Secure the mower in transport position to reduce transport width.
2. Use good judgment and drive slowly over rough or uneven roads.
3. Be courteous and obey all applicable laws governing road use.
4. Drive carefully and, if possible, avoid starts, stops or turns. Turn corners slowly.

### **WARNING:**

Failure to comply with the above safety instructions or those that follow within this manual could result in severe personal injury or death.

This mower is not to be used for any purpose other than that for which it is intended as explained in the operator's manual.





*This concludes the DMWR135 Owner's Manual.  
If applicable to your product, make sure to tighten  
all nut-and-bolt combinations before use.*

*Enjoy!*

### **DISCLAIMER**

This equipment must be used with care by capable and competent individuals under supervision, if necessary.

The use of any equipment, including this one, involves the potential risk of injury. You accept and assume full responsibility for any and all injuries, damages (both economic and non-economic), and losses of any type, which may occur, and you fully and forever release and discharge Titan, its insurers, employees, officers, directors, associates, and agents from any and all claims, demands, damages, rights of action, or causes of action, present or future, whether the same be known or unknown, anticipated, or unanticipated, resulting from or arising out of the use of said equipment.

TITAN MAKES NO WARRANTY WHATSOEVER WITH RESPECT TO THE EQUIPMENT, INCLUDING ANY WARRANTY OF MERCHANTABILITY OR WARRANTY OF FITNESS FOR A PARTICULAR PURPOSE, WHETHER EXPRESS OR IMPLIED BY LAW, COURSE OF DEALING, COURSE OF PERFORMANCE, USAGE OF TRADE OR OTHERWISE. BUYER ASSUMES ALL LIABILITY IN USE OF THE EQUIPMENT.

**NEED HELP?**

**CONTACT US FIRST.**

**1 (800) 605-8241**

[info@titandistributorsinc.com](mailto:info@titandistributorsinc.com) / [www.palletforks.com](http://www.palletforks.com)

**Business Hours: Monday–Friday • 8:00 a.m.–5:00 p.m. (CT)**

