



WWW.PALLETFORKS.COM
TITAN
ATTACHMENTS



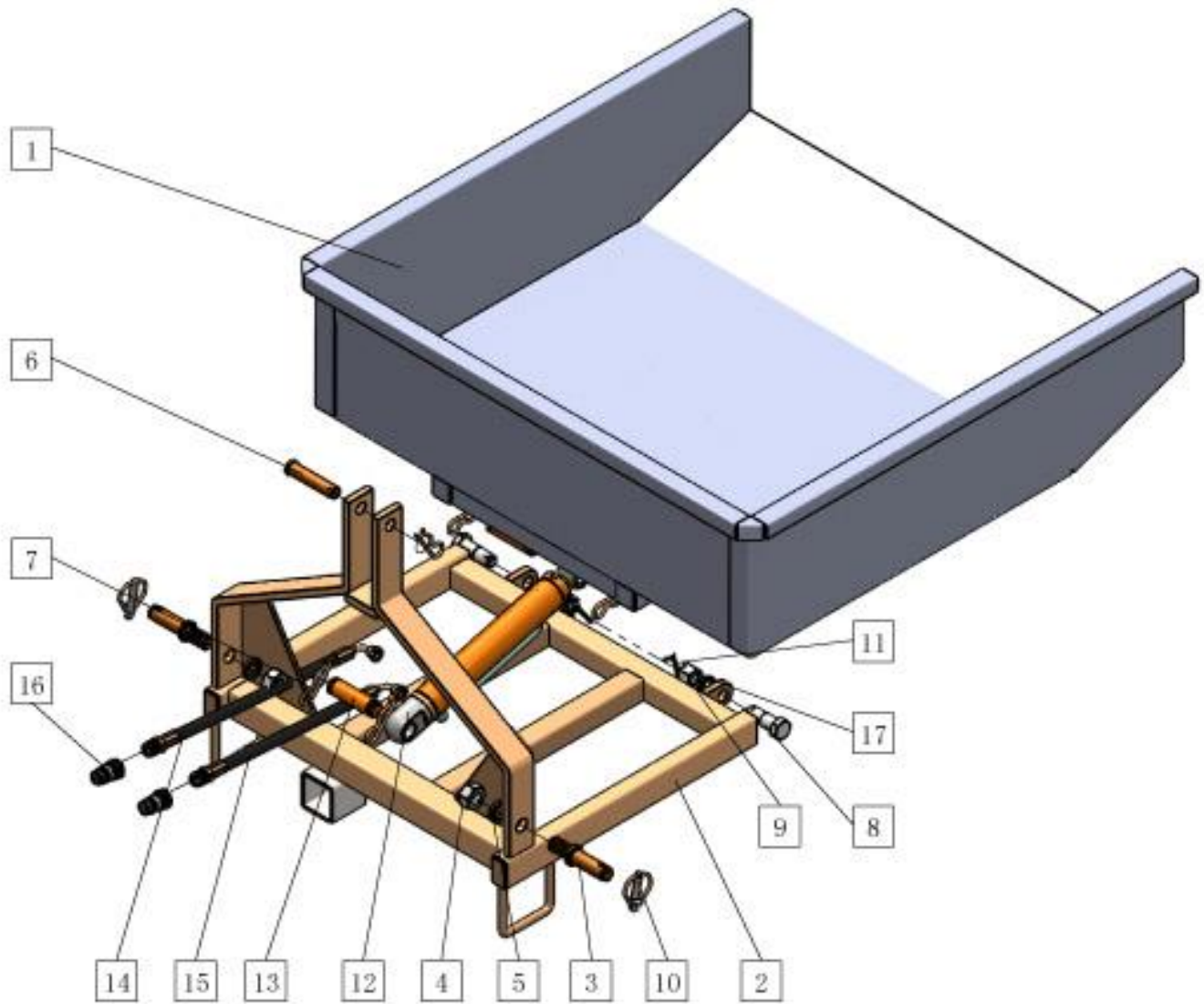
OWNER'S MANUAL

MPN(s): 10HDUMPBOX

SKU(s): 191437

UPC(s): 840009204654

PARTS DIAGRAM / EXPLODED VIEW



KEY	BOX	DESCRIPTION	QTY
(1)		DUMP BOX	1
(2)		MAIN FRAME	1
(3)		TD LOWER PIN (TD104)	2
(4)		HEXA NUT M22	2
(5)		SPRING WASHER 22	2
(6)		TD TOP PIN (TD105)	1
(7)		COTTER PIN 3.7x65	5
(8)		HEXA BOLT WITH HOLE M20X60	2
(9)		HEXA NUT WITH SLOT M20	2
(10)		RING SHAPE LOCK PIN ϕ 9.5	2
(11)		COTTER PIN 4X45	2
(12)		CYLINDER	1
(13)		PIN SHAFT (30HDUMPBOX-3)	2
(14)		OIL HOSE - RETURN	1
(15)		OIL HOSE - FEED	1
(16)		PIONEER COUPLER – MALE (KSA-08M)	2
(17)		SPRING WASHER 20	2



This concludes the 10HDUMPBOX Owner's Manual.

If applicable to your product, make sure to tighten all nut-and-bolt combinations before use.

Enjoy!



DISCLAIMER

This equipment must be used with care by capable and competent individuals under supervision, if necessary.

The use of any equipment, including this one, involves the potential risk of injury. You accept and assume full responsibility for any and all injuries, damages (both economic and non-economic), and losses of any type, which may occur, and you fully and forever release and discharge Titan, its insurers, employees, officers, directors, associates, and agents from any and all claims, demands, damages, rights of action, or causes of action, present or future, whether the same be known or unknown, anticipated, or unanticipated, resulting from or arising out of the use of said equipment.

TITAN MAKES NO WARRANTY WHATSOEVER WITH RESPECT TO THE EQUIPMENT, INCLUDING ANY WARRANTY OF MERCHANTABILITY OR WARRANTY OF FITNESS FOR A PARTICULAR PURPOSE, WHETHER EXPRESS OR IMPLIED BY LAW, COURSE OF DEALING, COURSE OF PERFORMANCE, USAGE OF TRADE OR OTHERWISE. BUYER ASSUMES ALL LIABILITY IN USE OF THE EQUIPMENT.

NEED HELP?

CONTACT US FIRST.

1 (800) 605-8241

info@titandistributorsinc.com / www.palletforks.com

Business Hours: Monday–Friday • 8:00 a.m.–5:00 p.m. (CT)

