



WWW.PALLETFORKS.COM
TITAN
ATTACHMENTS



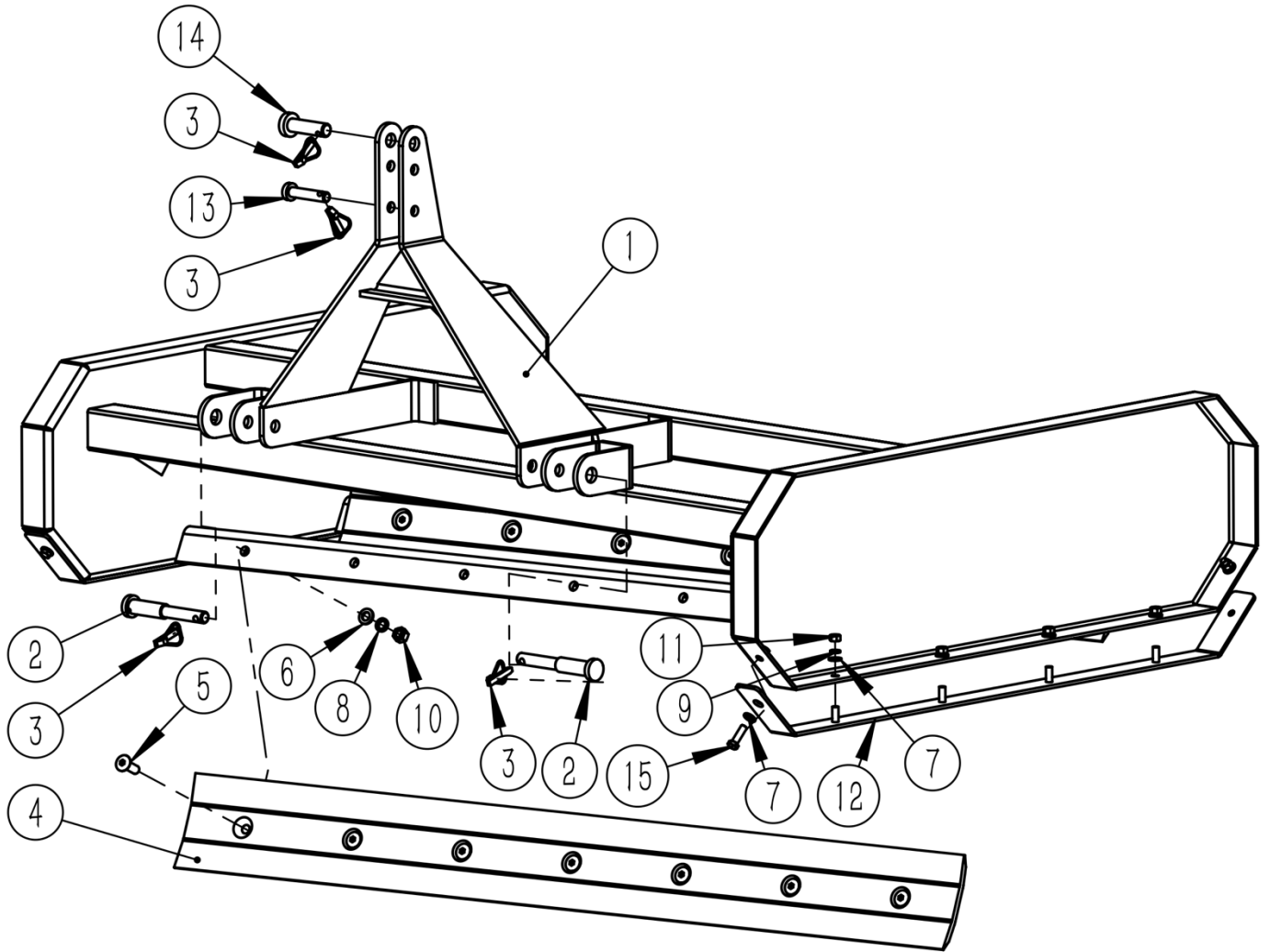
OWNER'S MANUAL

MPN(s) : 6LNDLVLv2/ 7LNDLVLv2/ 8LNDLVLv2

SKU(s) : 191448 /191449 /191450

UPC(s) :

PARTS DIAGRAM / EXPLODED VIEW



6LN DLVLv2/ 7LN DLVLv2/ 8LN DLVLv2 Parts List				
KEY	BOX	DESCRIPTION	QTY	REMARK
1	TLL6. 1	6 FRAME WELDMENT	1	6LN DLVLv2
1	TLL7. 1	7 FRAME WELDMENT	1	7LN DLVLv2
1	TLL8. 1	8 FRAME WELDMENT	1	8LN DLVLv2
2	TLL. 2	LOWER PIN	2	
3	DIN11203	LOCK PIN 11*40	4	
4	TLL6. 3	6LLBLADE	2	6LN DLVLv2
4	TLL7. 3	7LLBLADE	2	7LN DLVLv2
4	TLL8. 3	8LLBLADE	2	8LN DLVLv2
5	TLL5. 7	FLAT COUNTERSUNK SQUARE NECK BOLT	14	
6	GB/T97. 1	PLAIN WASHER 16	14	
7	GB/T97. 1	PLAIN WASHER 12	16	
8	GB/T93. 1	SPRING WASHER 16	14	
9	GB/T93. 1	SPRING WASHER 12	12	
10	GB/T6170	NUT M16	14	
11	GB/T6170	NUT M12	12	
12	TLL5. 4	BASE PLATE	2	
13	TLL5. 5	UPPER PIN 01	1	
14	TLL5. 6	UPPER PIN 02	1	
15	GB/T 5783	BOLT M12×40	4	





This concludes the 6LN DLVLv2/ 7LN DLVLv2/ 8LN DLVLv2 Owner's Manual. If applicable to your product, make sure to tighten all nut-and-bolt combinations before use.

Enjoy!

DISCLAIMER

This equipment must be used with care by capable and competent individuals under supervision, if necessary.

The use of any equipment, including this one, involves the potential risk of injury. You accept and assume full responsibility for any and all injuries, damages (both economic and non-economic), and losses of any type, which may occur, and you fully and forever release and discharge Titan, its insurers, employees, officers, directors, associates, and agents from any and all claims, demands, damages, rights of action, or causes of action, present or future, whether the same be known or unknown, anticipated, or unanticipated, resulting from or arising out of the use of said equipment.

TITAN MAKES NO WARRANTY WHATSOEVER WITH RESPECT TO THE EQUIPMENT, INCLUDING ANY WARRANTY OF MERCHANTABILITY OR WARRANTY OF FITNESS FOR A PARTICULAR PURPOSE, WHETHER EXPRESS OR IMPLIED BY LAW, COURSE OF DEALING, COURSE OF PERFORMANCE, USAGE OF TRADE OR OTHERWISE. BUYER ASSUMES ALL LIABILITY IN USE OF THE EQUIPMENT.

**NEED HELP?
CONTACT US FIRST.
1 (800) 605-8241**

info@titandistributorsinc.com / www.palletforks.com

Business Hours: Monday–Friday • 8:00 a.m.–5:00 p.m. (CT)

