



WWW.PALLETFORKS.COM
TITAN
ATTACHMENTS

6REARBLADE

6" Heavy Duty Rear Tractor Blade



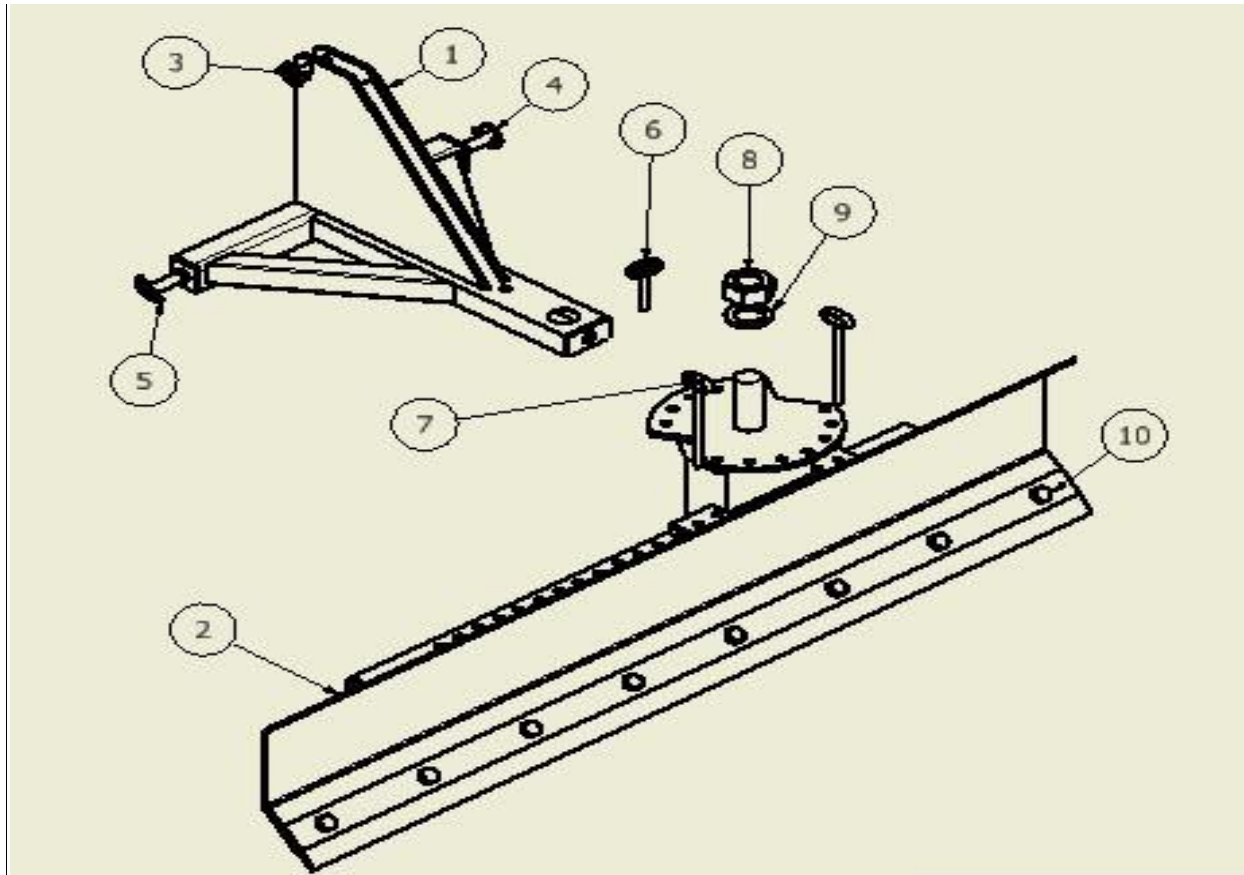
OWNER'S MANUAL

MPN(s): 6REARBLADE

SKU(s): 191459

UPC(s): 840009204890

PARTS DIAGRAM / EXPLODED VIEW



ITEM	PART	DESCRIPTION	QTY
1	TRBLD01	3 POINT ATTACHMENT	1
2	TRBLD02	BLADE ATTACHMENT	1
3	TRBLD03	TOP PIN	1
4	TRBLD04	THREAD PIN	2
5	TRBLD05	LYNCH PIN	3
6	TRBLD06	LOCK PIN-1	1
7	TRBLD07	LOCK PIN-2	2
8	TRBLD08	M50 NUT	1
9	TRBLD09	WASHER	1
10	TRBLD10	M16 NUT AND BOLT	8
11	TRBLD11	M20 NUT (THREAD PIN)	2

ASSEMBLY INSTRUCTIONS

- **PLACE BOTTOM BLADE ATTACHEMNT ON THE GROUND.**
- **FIX THE 3 POINT ATTACHMENT ON THE TOP BY USING M50 NUT.**
- **SET THE DIRECTION AND ANGLE BY USING THE LOCKING PINS.**





This concludes the 6REARBLADE Owner's Manual.

If applicable to your product, make sure to tighten all nut-and-bolt combinations before use.

Enjoy!

DISCLAIMER

This equipment must be used with care by capable and competent individuals under supervision, if necessary.

The use of any equipment, including this one, involves the potential risk of injury. You accept and assume full responsibility for any and all injuries, damages (both economic and non-economic), and losses of any type, which may occur, and you fully and forever release and discharge Titan, its insurers, employees, officers, directors, associates, and agents from any and all claims, demands, damages, rights of action, or causes of action, present or future, whether the same be known or unknown, anticipated, or unanticipated, resulting from or arising out of the use of said equipment.

TITAN MAKES NO WARRANTY WHATSOEVER WITH RESPECT TO THE EQUIPMENT, INCLUDING ANY WARRANTY OF MERCHANTABILITY OR WARRANTY OF FITNESS FOR A PARTICULAR PURPOSE, WHETHER EXPRESS OR IMPLIED BY LAW, COURSE OF DEALING, COURSE OF PERFORMANCE, USAGE OF TRADE OR OTHERWISE. BUYER ASSUMES ALL LIABILITY IN USE OF THE EQUIPMENT.

NEED HELP?

CONTACT US FIRST.

1(800)605-8241

info@titandistributorsinc.com/www.palletforks.com

Business Hours: Monday–Friday • 8:00 a.m.–5:00 p.m. (CT)

