



WWW.PALLETFORKS.COM  
**TITAN**  
ATTACHMENTS



## OWNER'S MANUAL

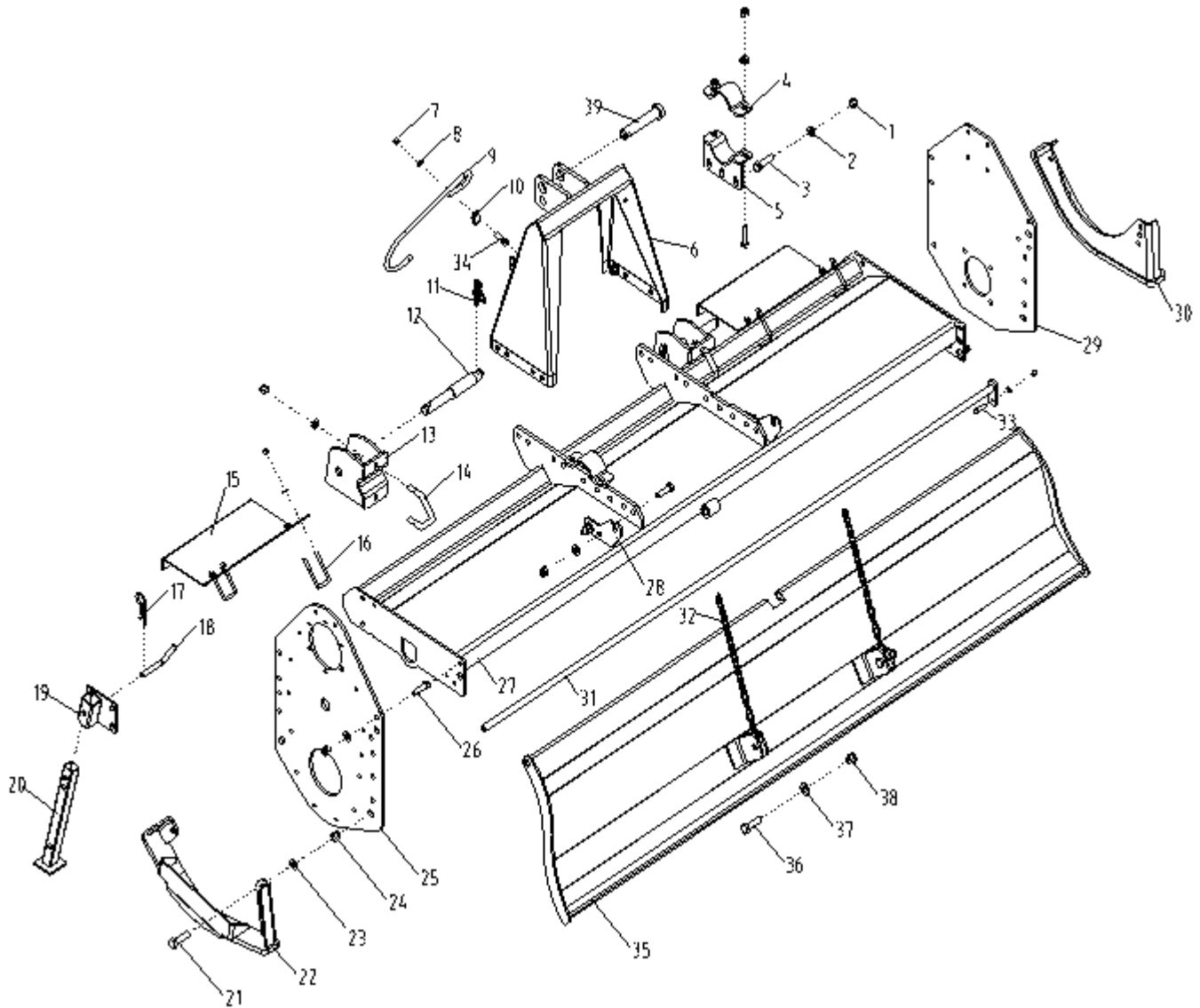
---

**MPN(s):** LWRT125, LWRT150, LWRT180

**SKU(s):**

**UPC(s):**

## 1GR185.01.001 Rotary Tiller Covering Assembly



### 1GR185.01.001 Rotary Tiller Covering Assembly Parts List

REF	PART NUMBER	DESCRIPTION	QTY
1	GB/T889.1-2000	Nut M12	24
2	GB/T97.1-2002	Plain washer 12	24
3	GB/T5782-2002	Bolt M12*40	20
4	1GR185.01.302	Fixed block	2

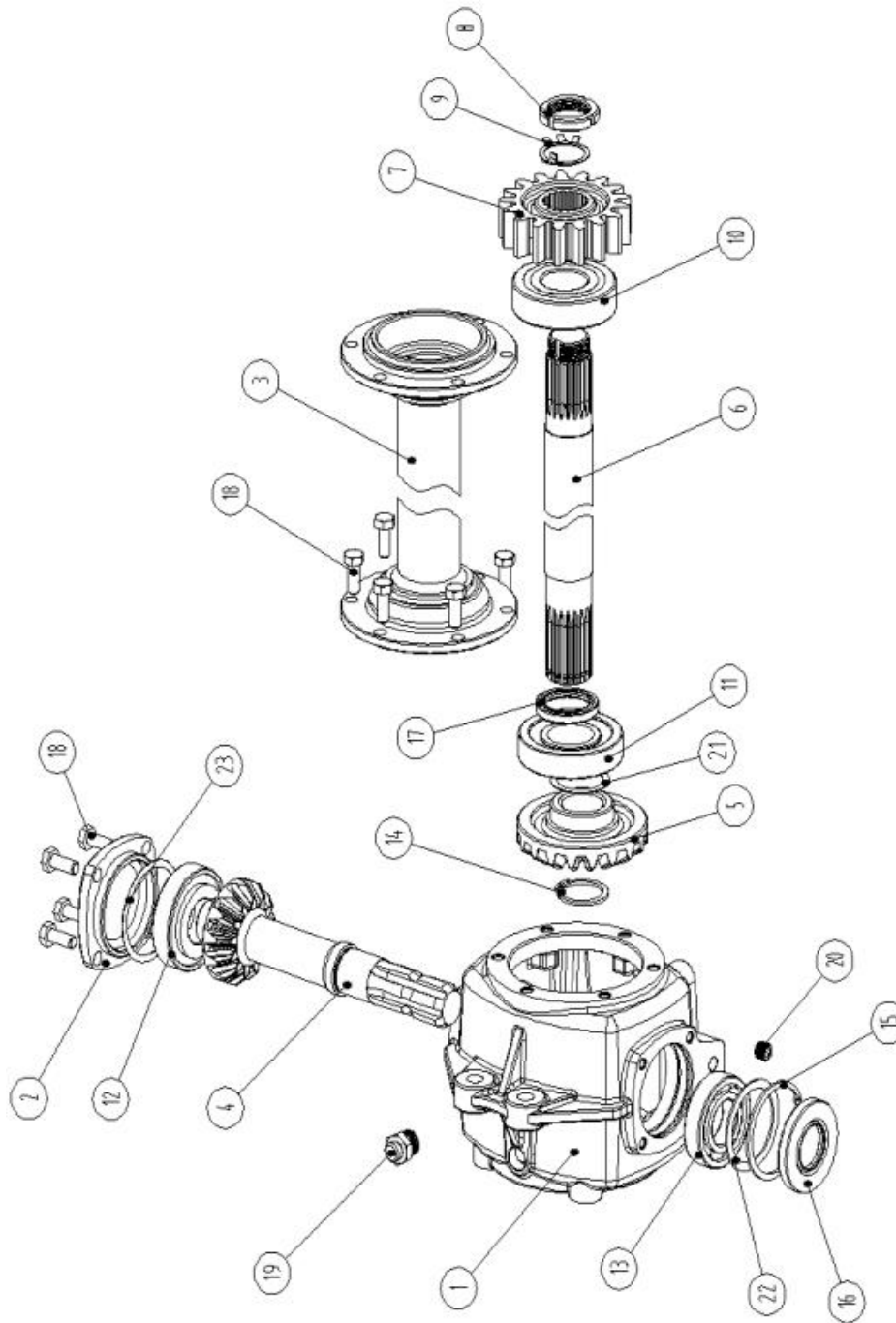


5	1GR185.01.016	U-block Welding Joints	2
6	1GR185.01.013	Hanging weldment	1
7	GB/T889.1-2000	Nut M8	10
8	GB/T97.1-2002	Plain washer 8	10
9	1GR185.01.301	hook	1
10	1GR185.01.307	Shrapnel	1
11	FEL300.111	Lock pin 12	2
12	AM80.01.101	Lower suspension pin	2
13	1GR185.01.020	Lower suspension weldment	2
14	1GR185.01.308	Hoop	2
15	1GR185.01.303	Two folded plates	2
16	1GR185.01.306	Square hoop	4
17	1GN230.01.104	R pin $\varnothing$ 3.2	3
18	1GR185.01.305	Foot pin	1
19	1GR185.01.012	Connecting plate weldment	1
20	1GR185.01.019	Supporting frame	1
21	GB/T5782-2002	Bolt M10*35	20
22	1GR185.01.017	Limiting depth linkage plate(R)	1
23	GB/T97.1-2002	Plain washer 10	12
24	GB/T889.1-2000	Nut M10	12
25	1GR185.01.021	Big lateral plate weldment	1
26	GB/T5782-2002	Bolt M10*30	8
27	1GR185.01.014	Cover weldment	1
28	1GR185.01.304	Chain hanging plate	2
29	1GR185.01.102	Small side plate	1
30	1GR185.01.018	Limiting depth linkage plate(L)	1
31	1GR185.01.015	Long pin welded joint	1
32	1GN230.01.017	Link	2
33	GB/T5782-2002	Bolt M8*30	1
34	GB/T5782-2002	Bolt M8*25	1



35	1GR185.01.011	Big dam-board weldment	1
36	GB/T5782-2002	Bolt M14*50	2
37	GB/T97.1-2002	Plain washer 14	2
38	GB/T889.1-2000	Nut M14	6
39	1GR185.01.309	Upper suspension pin $\varnothing 25$	1
	EFGC125.123	Upper suspension pin $\varnothing 19$	1

## 1GR185.02.001 Rotary Tiller [Gear Box](#) Assembly

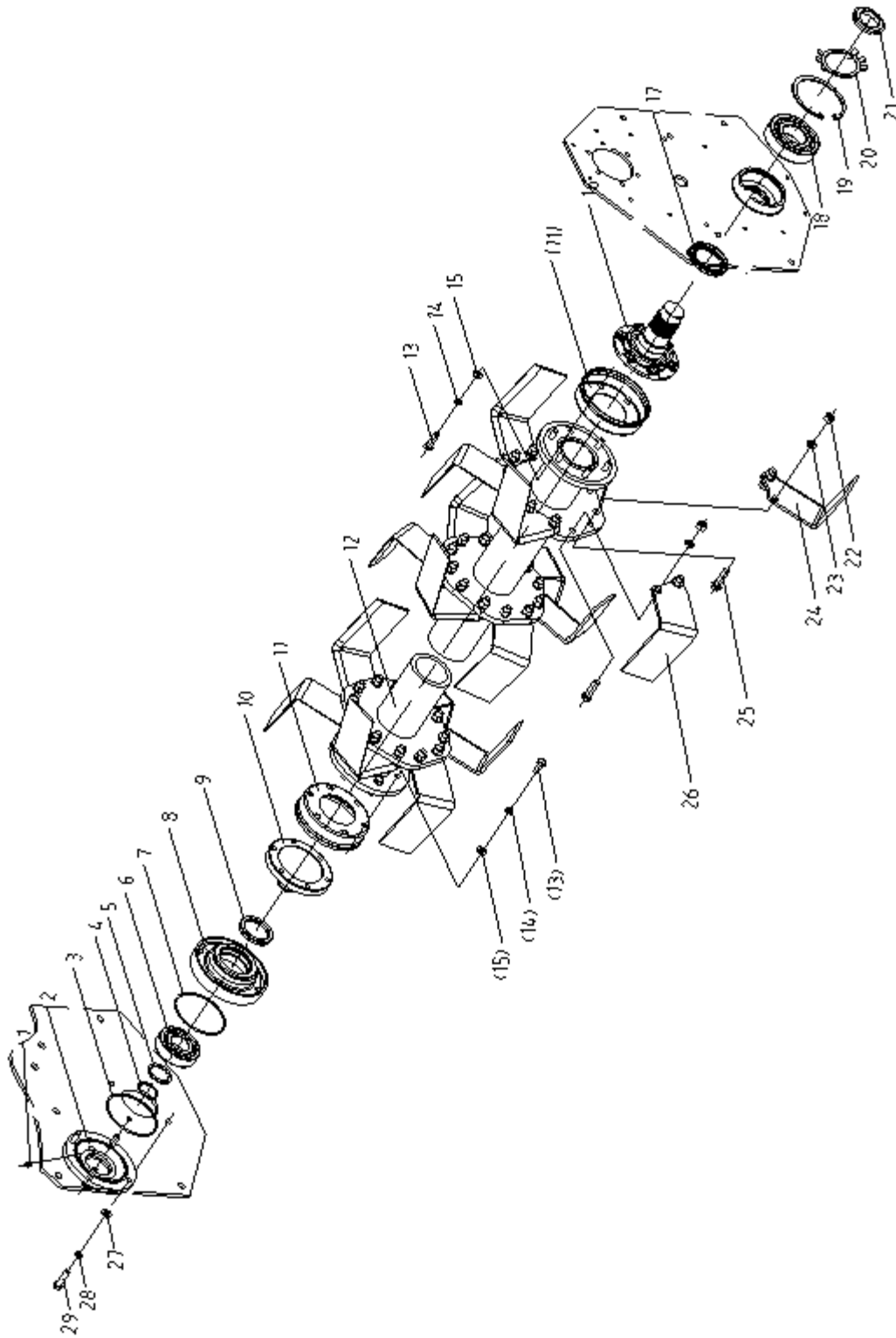


# 1GR185.02.001 Rotary Tiller Gear Box Assembly Parts List

REF	PART NUMBER	DESCRIPTION	QTY
1	0.RTD30.2047.00	Gearbox housing	1
2	1.RTD30.1025.00	Solid Cover	1
3	0.RTD30.5015.00	Spacer	1
4	2.RTD30.3055.00	Pinion Shaft	1
5	3.RTD30.2091.00	Forging Gear	1
6	2.RTD30.2095.00	Output Shaft	1
7	3.RTD30.1002.00	Cylindrical gear	1
8	6.5.1.00010	Nut M35*1.5	1
9	6.6.3.00002	Lock Washer 35	1
10	6.1.6.00034	Bearing 6308-2RS	1
11	6.1.6.00011	Bearing 30308	1
12	6.1.6.00008	Bearing 30307	1
13	6.1.6.00003	Bearing 6207	1
14	6.6.4.00003	Snap Ring For Shaft 40*2.5	1
15	6.6.6.00003	Snap Ring For Hole 72*2.5	1
16	6.2.1.00002	Dust lip Oil Seal 35*72*10	1
17	6.2.1.00032	Dust lip Oil Seal 40*54*8	1
18	6.4.1.00001	Hexagon Bolt M10*25	10
19	6.8.2.00003	Oil vent plug 1/2" Gas	1
20	6.8.1.00001	1/4" Gas Solid Plug	1
21	7.313.0033.00	Shim kit 40.3*51.5	1
22	7.CT150.0020.00	Shim kit 58*71.5	1
23	7.313.0038.00	Shim kit 69*79.7	1



# 1GR185.03.001 Rotary Tiller Blade Shaft Assembly



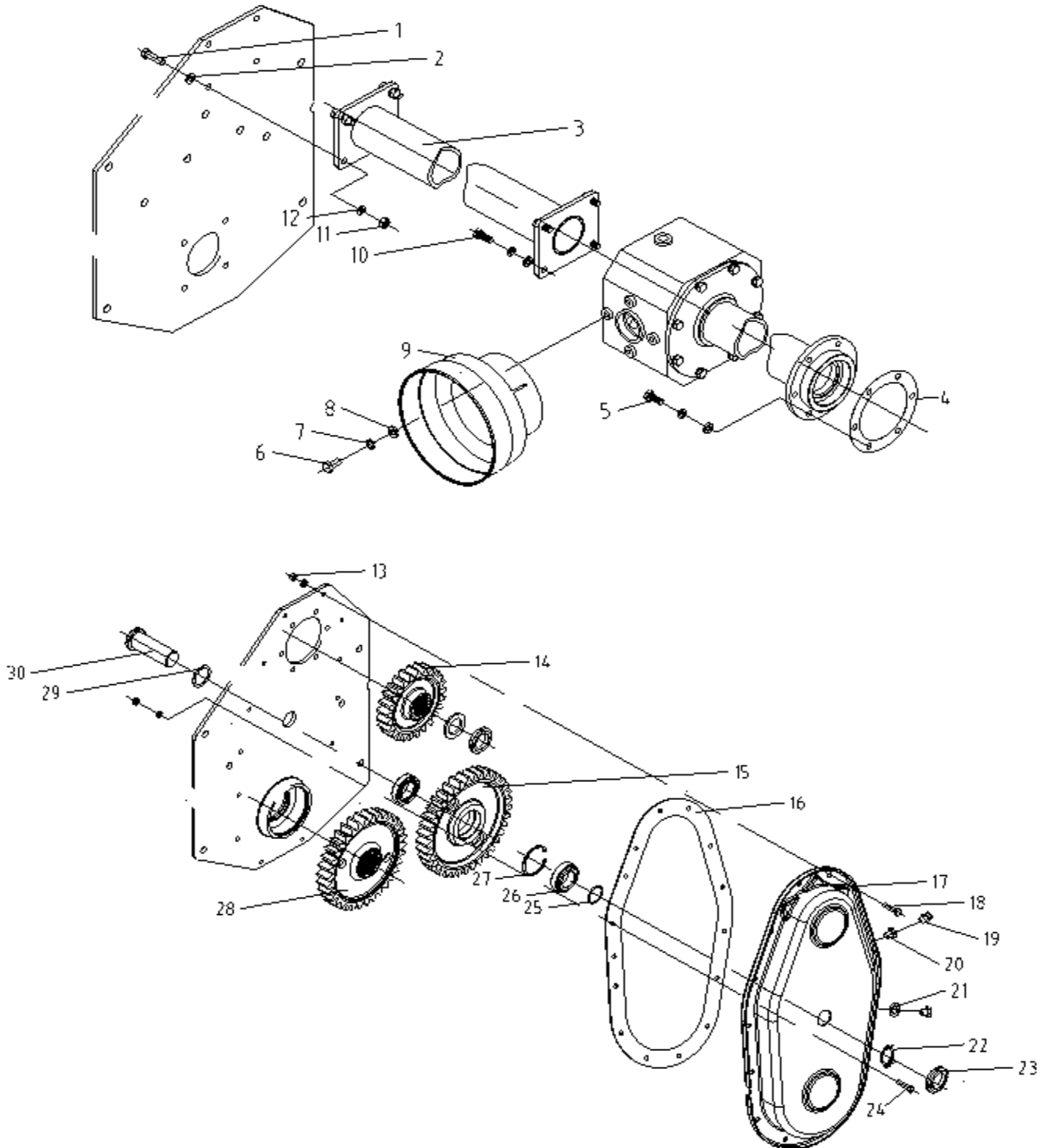
# 1GR185.03.001 Rotary Tiller Blade Shaft Assembly Parts List

REF	PART NUMBER	DESCRIPTION	QTY
1	JB/T7940.1-1995	Oil cup M8*1	1
2	1GN230.03.101	Side cover	1
3	GB/T3452.1-1992	O-ring 112*119.1*3.55	1
4	GB/T894.1-1986	Circlip 35	1
5	1GR135.03.104	Washer (L)	1
6	GB/T276-1994	Bearing 6307	1
7	GB/T3452.1-1992	O-ring 106*113.1*3.55	1
8	1GR185.03.103	Outer side support	1
9	GB/T13871-1992	Oil seal FB45*62*8	1
10	1GR185.03.105	Outer side hub	1
11	1GN230.03.105	Exterior dust cover	2
12	1GR185.03.011	Blades holder rotor	1
13	GB/T5782-2000	Bolt M12*35	12
14	GB/T93-2002	Spring washer 12	12
15	GB/T97.1-2002	Flat washer 12	12
16	1GR185.03.106	Drive side hub	1
17	GB/T13871-2007	Oil seal FB55*72*8	1
18	GB/T276-1988	Bearing 6309	1
19	GB/T893.1-1986	Circlip 100	1
20	GB/T858-1988	Self locking nut 45	1
21	GB/T858-1988	Self locking nut M35	1
22	GB/T889.1-2000	Nut M12*1.25	108
23	GB/T97.1-2002	Flat washer 12	108
24	1GR185.03.102	Left helicoidal blade	27
25	GB/T5783-2000	Bolt M12*1.25*35	108
26	1GR185.03.101	Right helicoidal blade	27



27	GB/T97.1-2002	Flat washer 10	4
28	GB/T93-2002	Spring washer 10	4
29	GB/T5782-2000	Bolt M10*40	4

## 1GR185.04.001 Rotary Tiller Transmission Assembly





# 1GR185.04.001 Rotary Tiller Transmission Assembly Parts List

REF	PART NUMBER	DESCRIPTION	QTY
1	GB/T5783-2000	Bolt M10*30	4
2	GB/T97.1-2000	Plain washer 10	16
3	1GR185.04.011	Outer spacer	1
4	1GR185.02.105	Gasket	1
5	GB/T5782-2000	Bolt M10*1*20	6
6	GB/T5783-2000	Bolt M8*16	4
7	GB/T93-2002	Spring washer 8	8
8	GB/T97.1-2000	Plain washer 8	23
9	1G135.02.117	Guard shade	1
10	GB/T5782-2000	Bolt M10*25	4
11	GB/T889.1-2000	Nut M10	4
12	GB/T93-2002	Spring washer 10	10
13	GB/T889.1-2000	Nut M8	15
14	1GR185.04.101	Upper gear	1
15	1GR185.04.102	Central gear	1
16	1GR185.04.104	Drive cover gasket	1
17	1GR185.04.012	Gears cover	1
18	GB/T5783-2000	Bolt M8*25	13
19		Oil breather plug	1
20	1GN230.02.117	Bolt M16x1.5	1
21	JB/T1002-1977	Gasket 16	2
22	GB/T858-1988	Self locking nut 24	1
23	GB/T812-1988	Self locking nut M24*1.5	1
24	GB/T5783-2000	Bolt M8*30	2
25	GB/T3452.1-1992	O-ring 29.5*34.8*2.65	1
26	GB/T297-1994	Bearing 30306	2



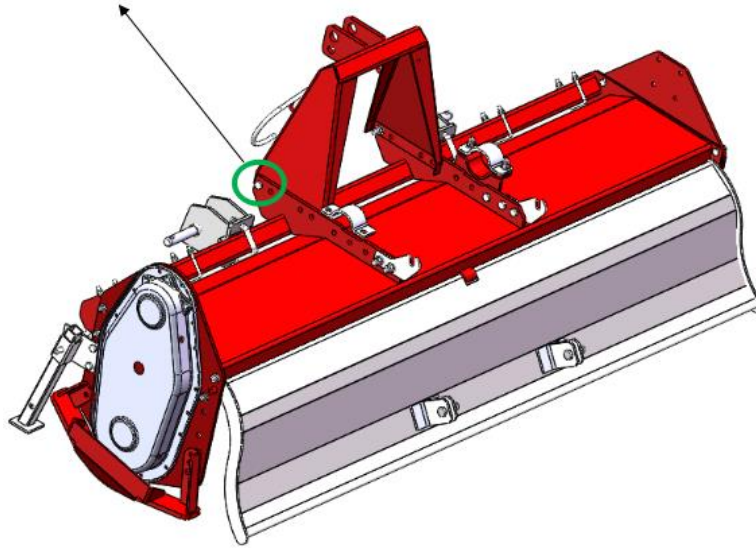
27	GB/T893.1-1986	Circlip 42	1
28	1GR185.04.103	Lower gear	1
29	GB/T3452.1-1992	O-ring 34.5*39.8*2.65	1
30	1GR185.04.105	Gear hub	1



# ASSEMBLY INSTRUCTIONS

---

1. Read the operation manual carefully before unpacking and assembling the rotary tiller.
2. Unpack the rotary tiller, check the part list. There are 3 parts inside the package, main tiller body, hanging part and PTO shaft.
3. Assemble the hanging part to main tiller body, tighten all the bolts.



4. Adjust the lower suspension weldment to connect the rotary tiller to tractor.
5. Check the oil level and add oil before running the rotary tiller as they are shipped dry.



*This concludes the \_\_\_\_\_ Owner's Manual.*

*If applicable to your product, make sure to tighten all nut-and-bolt combinations before use.*

*Enjoy!*

### **DISCLAIMER**

This equipment must be used with care by capable and competent individuals under supervision, if necessary.

The use of any equipment, including this one, involves the potential risk of injury. You accept and assume full responsibility for any and all injuries, damages (both economic and non-economic), and losses of any type, which may occur, and you fully and forever release and discharge Titan, its insurers, employees, officers, directors, associates, and agents from any and all claims, demands, damages, rights of action, or causes of action, present or future, whether the same be known or unknown, anticipated, or unanticipated, resulting from or arising out of the use of said equipment.

TITAN MAKES NO WARRANTY WHATSOEVER WITH RESPECT TO THE EQUIPMENT, INCLUDING ANY WARRANTY OF MERCHANTABILITY OR WARRANTY OF FITNESS FOR A PARTICULAR PURPOSE, WHETHER EXPRESS OR IMPLIED BY LAW, COURSE OF DEALING, COURSE OF PERFORMANCE, USAGE OF TRADE OR OTHERWISE. BUYER ASSUMES ALL LIABILITY IN USE OF THE EQUIPMENT.

**NEED HELP?**

**CONTACT US FIRST.**



**1 (800) 605-8241**

[info@titandistributorsinc.com](mailto:info@titandistributorsinc.com) / [www.palletforks.com](http://www.palletforks.com)

**Business Hours: Monday–Friday • 8:00 a.m.–5:00 p.m. (CT)**

