



WWW.PALLETFORKS.COM

TITAN

ATTACHMENTS



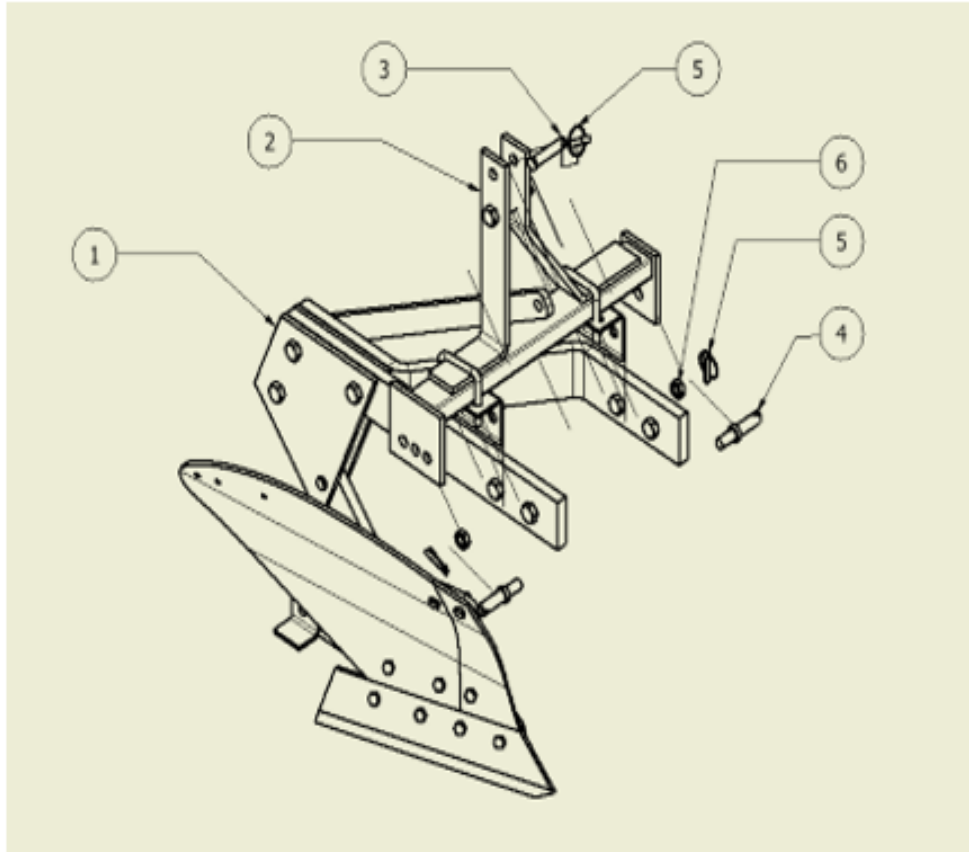
OWNER'S MANUAL

MPN(s): SBTFLOW

SKU(s): 191511

UPC(s): 840009207365

PARTS DIAGRAM / EXPLODED VIEW



ITEM	PART	DESCRIPTION	QTY
1	3PTBTMPLW01	BOTTOM PLOW SUB ASSEMBLY	1
2	3PTBTMPLW02	3 POINT ORIAL ASSEMBLY	1
3	3PTBTMPLW03	TOP LINK PIN	1
4	3PTBTMPLW04	THREADED PIN	2
5	3PTBTMPLW05	LINCH PIN	3
6	3PTBTMPLW06	M20 NUT	2



This concludes the SBTPLOW Owner's Manual.

*If applicable to your product, make sure to tighten all
nut-and-bolt combinations before use.*

Enjoy!

DISCLAIMER

This equipment must be used with care by capable and competent individuals under supervision, if necessary.

The use of any equipment, including this one, involves the potential risk of injury. You accept and assume full responsibility for any and all injuries, damages (both economic and non-economic), and losses of any type, which may occur, and you fully and forever release and discharge Titan, its insurers, employees, officers, directors, associates, and agents from any and all claims, demands, damages, rights of action, or causes of action, present or future, whether the same be known or unknown, anticipated, or unanticipated, resulting from or arising out of the use of said equipment.

TITAN MAKES NO WARRANTY WHATSOEVER WITH RESPECT TO THE EQUIPMENT, INCLUDING ANY WARRANTY OF MERCHANTABILITY OR WARRANTY OF FITNESS FOR A PARTICULAR PURPOSE, WHETHER EXPRESS OR IMPLIED BY LAW, COURSE OF DEALING, COURSE OF PERFORMANCE, USAGE OF TRADE OR OTHERWISE. BUYER ASSUMES ALL LIABILITY IN USE OF THE EQUIPMENT.

NEED HELP?

CONTACT US FIRST.

1 (800) 605-8241

info@titandistributorsinc.com / www.palletforks.com

Business Hours: Monday–Friday • 8:00 a.m.–5:00 p.m. (CT)

