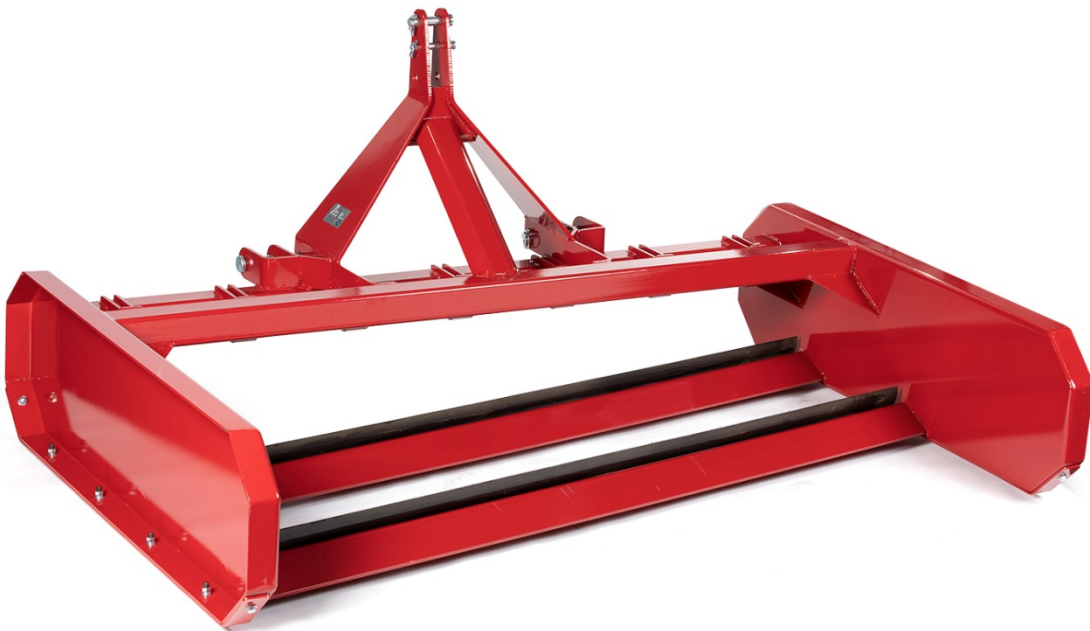




WWW.PALLETFORKS.COM

**TITAN**

ATTACHMENTS



## OWNER'S MANUAL

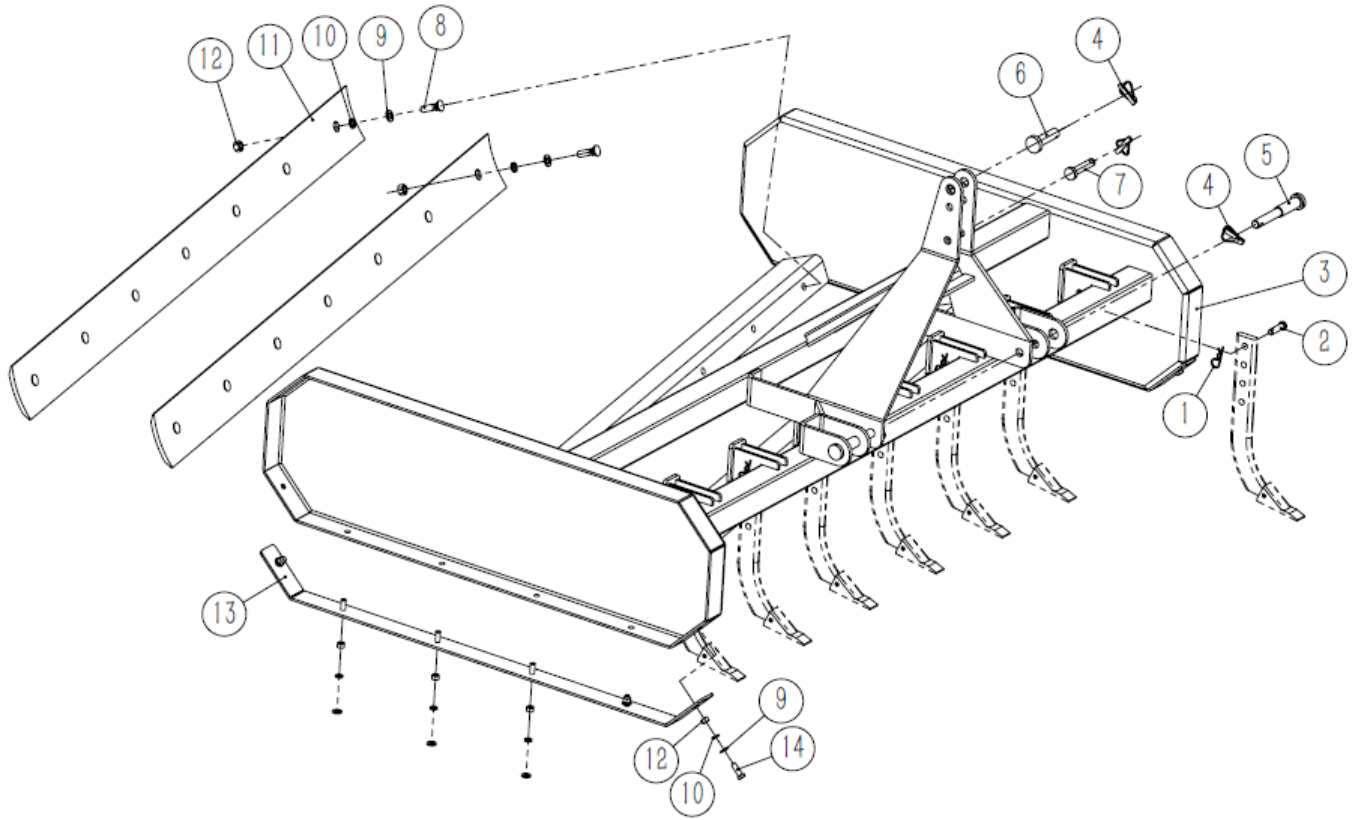
---

**MPN(s):** 6LNDLVLv3, 7LNDLVLv3, 8LNDLVLv3

**SKU(s):** 191547, 191548, 191549

**UPC(s):** 840009215131, 840009215148, 840009215155

# PARTS DIAGRAM / EXPLODED VIEW



6LNDLVLV3/ 7LNDLVLV3/ 8LNDLVLV3 PARTS LIST				
KEY	BOX	DESCRIPTION	QTY	REMARK
1	EFGC125.110	R PIN 3.2	6	6LNDLVLv3
1	EFGC125.110	R PIN 3.2	7	7LNDLVLv3
1	EFGC125.110	R PIN 3.2	8	8LNDLVLv3
2	ST.002	PIN	6	6LNDLVLv3
2	ST.002	PIN	7	7LNDLVLv3
2	ST.002	PIN	8	8LNDLVLv3
3	TLLR6.1	6 FRAME WELDMENTS	1	6LNDLVLv3
3	TLLR7.1	7 FRAME WELDMENTS	1	7LNDLVLv3
3	TLLR8.1	8 FRAME WELDMENTS	1	8LNDLVLv3
4	DIN11203	LOCK PIN 11*40	4	
5	TLL5.2	LOWER PIN	2	
6	TLL5.6	UPPER PIN 02	1	
7	TLL5.5	UPPER PIN 01	1	
8	TLL5.7	FLAT COUNTERSUNK SQUARE NECK BOLT	14	
9	GB/T97.1	PLAIN WASHER 16	26	
10	GB/T93.1	SPRING WASHER 16	26	
11	TLL6.3	6LLBLADE	2	6LNDLVLv3
11	TLL7.3	7LLBLADE	2	7LNDLVLv3
11	TLL8.3	8LLBLADE	2	8LNDLVLv3
12	GB/T6170	NUT M16	26	
13	TLL5.4	BASE PLATE	2	
14	GB/T 5783	BOLT M12×35	4	



*This concludes the LNDLVLv3 Owner's Manual.*



*If applicable to your product, make sure to tighten all nut-and-bolt combinations before use.*

*Enjoy!*

### **DISCLAIMER**

This equipment must be used with care by capable and competent individuals under supervision, if necessary.

The use of any equipment, including this one, involves the potential risk of injury. You accept and assume full responsibility for any and all injuries, damages (both economic and non-economic), and losses of any type, which may occur, and you fully and forever release and discharge Titan, its insurers, employees, officers, directors, associates, and agents from any and all claims, demands, damages, rights of action, or causes of action, present or future, whether the same be known or unknown, anticipated, or unanticipated, resulting from or arising out of the use of said equipment.

TITAN MAKES NO WARRANTY WHATSOEVER WITH RESPECT TO THE EQUIPMENT, INCLUDING ANY WARRANTY OF MERCHANTABILITY OR WARRANTY OF FITNESS FOR A PARTICULAR PURPOSE, WHETHER EXPRESS OR IMPLIED BY LAW, COURSE OF DEALING, COURSE OF PERFORMANCE, USAGE OF TRADE OR OTHERWISE. BUYER ASSUMES ALL LIABILITY IN USE OF THE EQUIPMENT.

**NEED HELP?**

**CONTACT US FIRST.**

**1 (800) 605-8241**

[info@titandistributorsinc.com](mailto:info@titandistributorsinc.com) / [www.palletforks.com](http://www.palletforks.com)

**Business Hours: Monday–Friday • 8:00 a.m.–5:00 p.m. (CT)**

