

OWNER'S MANUAL

MPN(s): 48TRENCHER

SKU(s): 191503

UPC(s): 840009205682

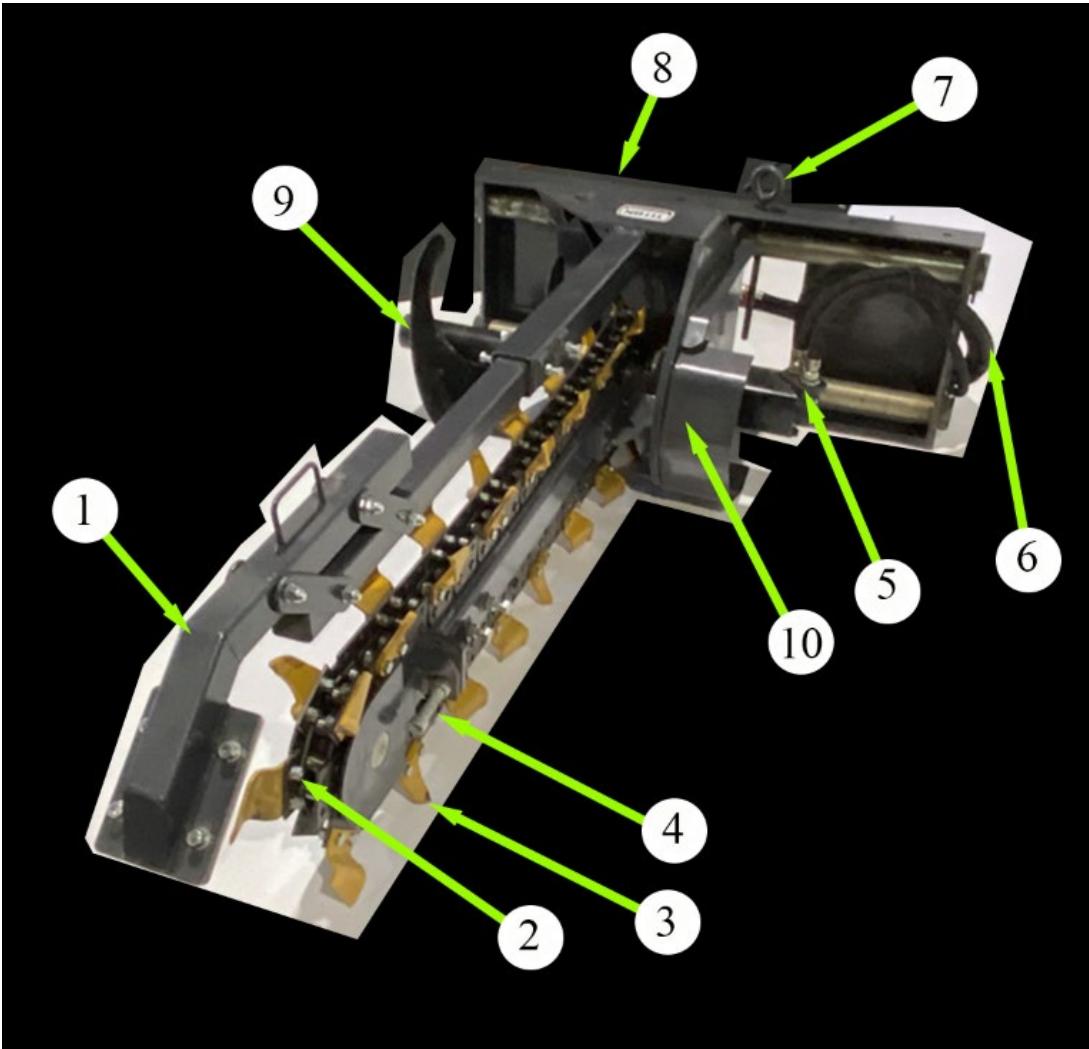
SAFETY INSTRUCTIONS

- Before use, read this manual in its entirety.
- Be familiar with the host machine's specifications and parameters.
- Be familiar with the trencher's specifications and parameters.
- Wear safety clothing, protective glasses during use to ensure safety.
- Do not modify the equipment under any circumstance. For part replacements, please contact Titan Attachments Customer Service.
- Never operate the host machine or trencher while under the influence of drugs or alcohol.
- Do not leave the host machine's cab while the engine is still running.
- Always inspect trencher and host machine before operation.

OPERATIONAL DANGER HAZARDS

- **ALWAYS** ensure bystanders are at least 25 FT away from trencher during use. Contact with moving parts will result in injury or death.
- **ALWAYS** survey working area first. Contact with live underground or overhead cables will result in death or serious injury
- High pressure fluid hazard. Incorrect hydraulic handling can result in injury or death. Release pressure on system. Use cardboard or piece of wood to identify leaks.
- **NEVER** wear loose clothing that could become entangled in the trencher.
- **NEVER** operate with any damaged or missing parts.
- **NEVER** perform any maintenance unless host machine is completely turned off.

TRENCHER KEY COMPONENTS



1. Crumber Arm
2. Chain
3. Teeth
4. Chain Tensioning Assembly
5. Hydraulic Motor
6. Hydraulic Hoses
7. Manual Side Shift Adjustment Pin
8. Mount Plate
9. Auger
10. Skid Plate

TRENCHER SPECIFICATIONS

MPN	48TRENCHER
Overall Length	92.7"
Overall Width	52.4"
Overall Height	30.2"
Weight	950 LB
Trenching Depth at 65°	47.2"
Trenching Width	5.9"
Working Flow Range	23.7-29 GPM
Working Pressure	2321-3046 psi

OPERATION INSTRUCTION

PRE-OPERATION CHECKLIST

1. Check for any loose or missing guards and shields on the trencher.
2. Inspect hoses and hose connections for any leaks. Replace hoses and hose connections as necessary.
3. Check the chain tension before operating the trencher.
4. Lubricate the trencher's grease points. Please refer to the "Maintenance Instructions" section for this information.
5. Check for any loose fasteners. Tighten the fasteners as necessary.
6. Refer to operating machine user's manual for pre-start instructions.
7. Review and understand this manual and operating machine manual.

ATTACHING AND DETACHING TRENCHER

1. Follow all safety instructions before attaching the trencher.
2. Attach the trencher to the skid steer mount plate. Verify all pins are secured in the correct position.
3. Connect the hydraulic hoses. Verify that the hoses are clear of any moving parts.
4. **Case Drain line required to operate this implement**



OPERATION PROCEDURES

- Test the functions of the trencher in a clear, open area with skid steer in idle. Understand the controls of the trencher and operating machine before beginning operation.
- **ALWAYS survey the area prior to working and consider the ground conditions. Avoid underground hazards such as utility lines, hidden stumps, etc.**

Starting the Trencher

1. Set trencher parallel to ground, but not yet making contact.
2. Start the trencher by increasing engine speed in the operating machine. Ensure the chain is moving in the correct direction. Slowly increase the trencher's chain speed.
3. Increase the trencher's chain speed until full speed.

ENGAGING GROUND:

1. With trencher chain operating and weight applied to the skid plate, gradually rotate the trencher downward so it penetrates the ground. Always keep the skid plate pressed to the ground when cutting.
2. When the flat face of the skid plate is firmly in contact with the ground, slowly reverse the skid steer machine. Avoid stalling the chain.

STOPPING THE TRENCHER:

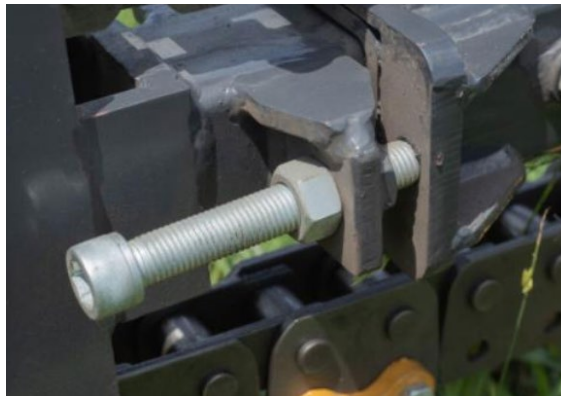
1. Set engine speed to low idle and raise the trencher above ground level.
2. Stop operating machine's engine and shut off the operating machine.

CHAIN TENSION ADJUSTMENT:

1. Check chain tension by measuring the clearance between the chain and the main boom. Clearance should be 1.5-2".



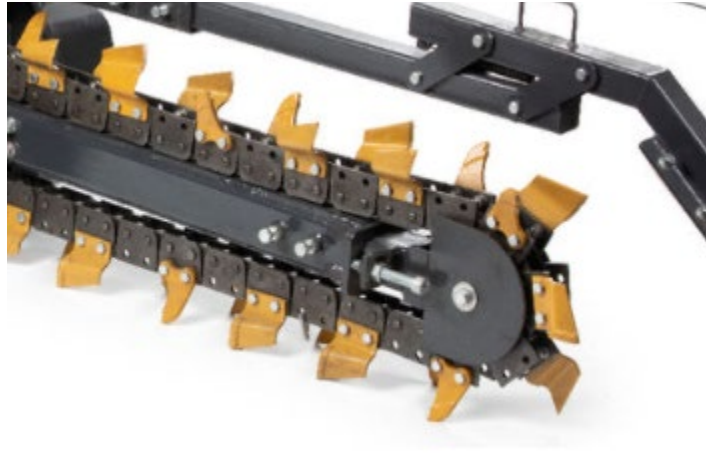
2. Adjust the tension by turning the tensioner assembly on the sides of the boom. Shown below.



MAINTENANCE INSTRUCTIONS

1. DAILY INSPECTIONS

- a. Check chain tension meets recommend spec above.
- b. Check for tooth wear: designed for varying trenching conditions this implement comes installed with alternating tooth styles. When replacing teeth, we recommend maintaining this alternating assembly.

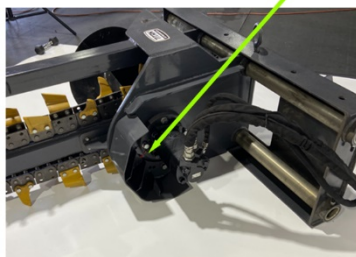


- c. Check for any loose hardware and tighten as necessary.
- d. Check hydraulic assembly for leaks and any damage to hoses

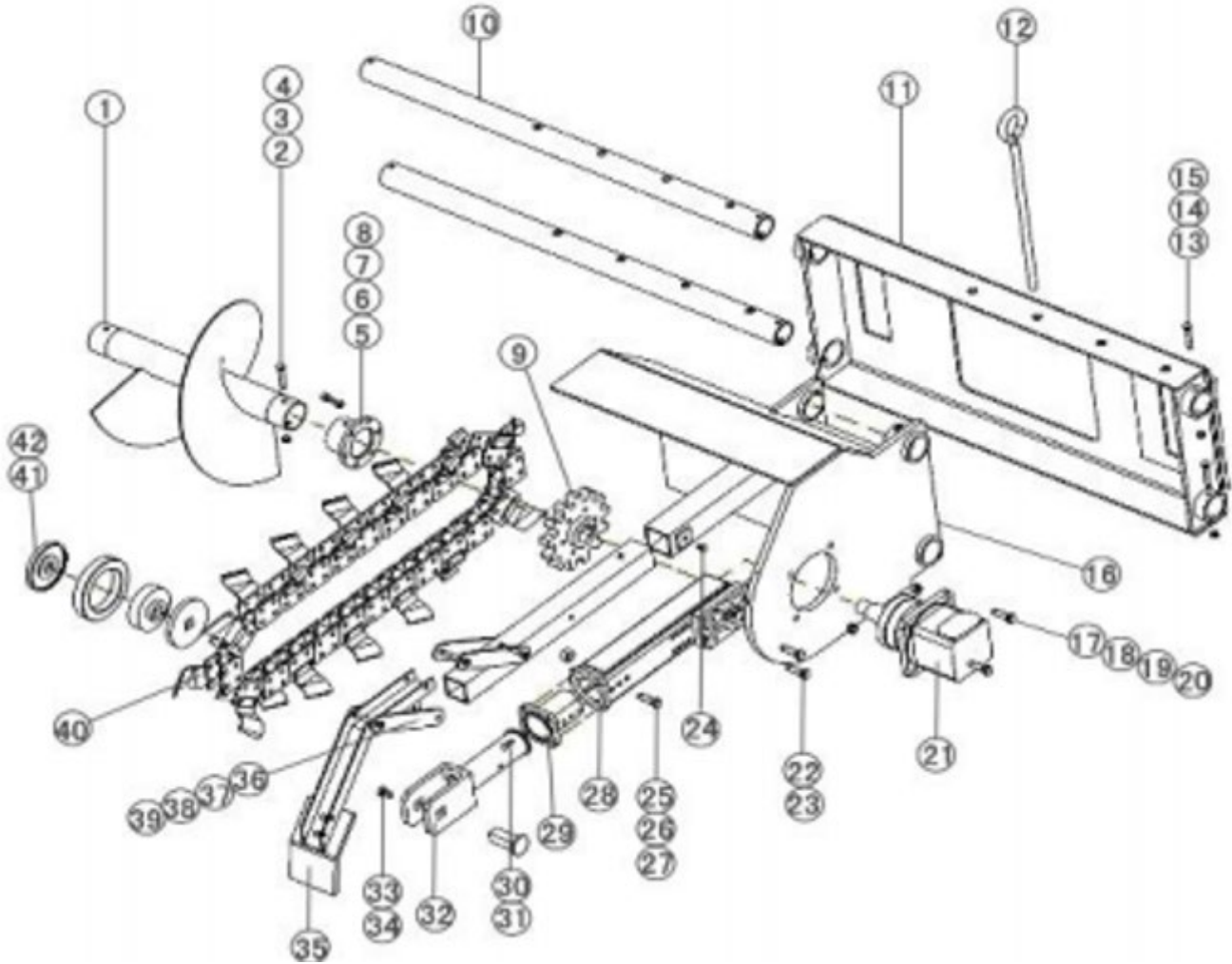
2. GREASE POINTS:

- a. Motor Bearing Grease Point

Motor Grease Point



PARTS DIAGRAM / EXPLODED VIEW



Parts Subsidiary

No.	Part NO	Name	Nu	Remark
1	02072401	auger bit	1	
2	02072402	bolt	1	
3	02072403	spring washer	1	
4	02072404	nut	1	
5	02072405	Link harness	1	
6	02072406	bolt	6	
7	02072407	spring washer	6	
8	02072408	nut	6	
9	02072409	sprocket	1	
10	02072410	Steel tube	2	
11	02072411	Connect framework	1	
12	02072412	Pin head	1	
13	02072413	bolt	4	
14	02072414	spring washer	4	
15	02072415	nut	4	
16	02072416	Main frame	1	
17	02072417	bolt	4	
18	02072418	flat gasket	4	
19	02072419	spring washer	4	
20	02072420	nut	4	
21	02072421	Cycloid motor	1	
22	02072422	bolt	4	
23	02072423	spring washer	4	
24	02072424	bolt	2	
25	02072425	bolt	3	

26	02072426	spring washer	3	
27	02072427	nut	3	
28	02072428	movable device	1	
29	02072429	bushing	1	
30	02072430	bolt	4	
31	02072431	spring washer	4	
32	02072432	movable connect device	1	
33	02072433	bolt	1	
34	02072434	pin	1	
35	02072435	blendboard	1	
36	02072436	junction plate	4	
37	02072437	bolt	4	
38	02072438	spring washer	4	
39	02072439	nut	4	
40	02072440	chain	1	
41	02072441	bearing	1	
42	02072442	idle gear	1	

This concludes the 48TRENCHER Owner's Manual.
If applicable to your product, make sure to tighten
all nut-and-bolt combinations before use.

Enjoy!

TITAN LIMITED WARRANTY: TERMS, EXCLUSIONS AND LIMITATION OF REMEDIES

This product comes with a one (1) year limited warranty that can be found at palletforks.com/warranty.html. Please review the same for all details regarding the Titan Limited Warranty.

THE TITAN LIMITED WARRANTY FOUND AT PALLETFORKS.COM/WARRANTY.HTML IS EXCLUSIVE AND IS IN LIEU OF ALL OTHER WARRANTIES, EXPRESS OR IMPLIED, INCLUDING ANY IMPLIED WARRANTY OF MERCHANTABILITY AND/OR FITNESS FOR A PARTICULAR PURPOSE, EACH OF WHICH IS HEREBY DISCLAIMED.

Acknowledgement of Risk and Release of Liability

The use of any equipment, including this one, involves the potential risk of injury. Apart from any warranty claim that might be presented for a claimed defect in material or workmanship of the product, you accept and assume full responsibility for any and all injuries, damages (both economic and non-economic), and losses of any type, which may occur, and you fully and forever release and discharge Titan, its insurers, employees, officers, directors, associates, and agents from any and all claims, demands, damages, rights of action, or causes of action, present or future, whether the same be known or unknown, anticipated, or unanticipated, resulting from or arising out of the use of said equipment.

This equipment must be used with care by capable and competent individuals under supervision, if necessary.

Need help? Contact us first.

1 (800) 605-8241

info@titandistributorsinc.com / www.palletforks.com

Business Hours: Monday–Friday • 8:00 a.m.–5:00 p.m. (CT)

