

AUGER ATTACHMENT

10STUMP, 14STUMP

192040,192041



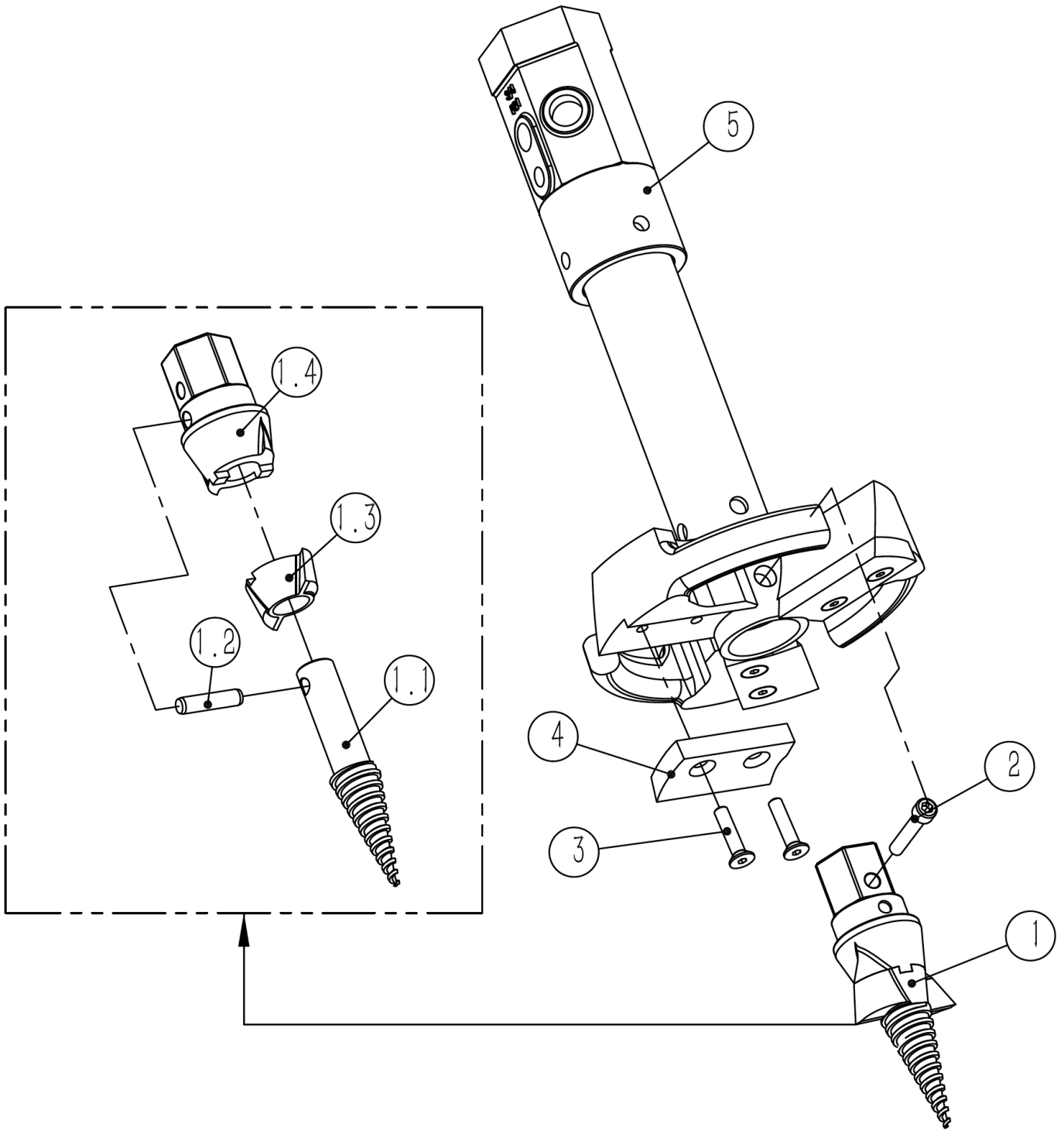
Operator's Manual



Read the Operator's Manual entirely. When you see this symbol, the subsequent instructions and warnings are serious follow without exception. Your life and the lives of others depend on it!

Cover photo may show optional equipment not supplied with standard unit. For an Operator's Manual and Decal Kit in French or Spanish Language, please see your dealer.

PARTS DIAGRAM / EXPLODED VIEW



ZSG10 Parts List			
KEY	BOX	DESCRIPTION	QTY
1	ZSG14.2	Auger Tip assembly	1
1.1	ZSG14.2-3	Auger Tip	1
1.2	GB/T119.1	Pin 12*50	1
1.3	ZSG14.2-2	Auger tip set	1
1.4	ZSG14.2-1	Auger connector	1
2	GB/T 70.1	Hexagon nut M10*55	1
3	GB/T 70.3	Hexagon socket head cap screw M10*45	6
4	ZSG10.3	10" blade	3
5	ZSG10.1	10" Auger	1

ZSG14 Parts List			
KEY	BOX	DESCRIPTION	QTY
1	ZSG14.2	Auger Tip assembly	1
1.1	ZSG14.2-3	Auger Tip	1
1.2	GB/T119.1	Pin 12*50	1
1.3	ZSG14.2-2	Auger tip set	1
1.4	ZSG14.2-1	Auger connector	1
2	GB/T 70.1	Hexagon nut M10*55	1
3	GB/T 70.3	Hexagon socket head cap screw M10*45	6
4	ZSG14.3	14" blade	3
5	ZSG14.1	14" Auger	1

ASSEMBLY INSTRUCTIONS

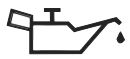
- No Assembly Instructions Required.

DISCLAIMER

This equipment must be used with care by capable and competent individuals under supervision, if necessary.

The use of any equipment, including this one, involves the potential risk of injury. You accept and assume full responsibility for any and all injuries, damages (both economic and non-economic), and losses of any type, which may occur, and you fully and forever release and discharge Titan, its insurers, employees, officers, directors, associates, and agents from any and all claims, demands, damages, rights of action, or causes of action, present or future, whether the same be known or unknown, anticipated, or unanticipated, resulting from or arising out of the use of said equipment.

WARNING



Do not overfill! Mower should be level when checking oil in gear box.



some activities might be able to cause electric shock



Sharp objects may be involved.
Use protective cover during maintenance.

WARRANTY

This product comes with a one (1) year limited warranty that can be found at www.palletforks.com/warranty.html. Please review the same for all details regarding the Titan Limited Warranty.

THE TITAN LIMITED WARRANTY FOUND AT [URL.ADDRESS] IS EXCLUSIVE AND IS IN LIEU OF ALL OTHER WARRANTIES, EXPRESS OR IMPLIED, INCLUDING ANY IMPLIED WARRANTY OF MERCHANTABILITY AND/OR FITNESS FOR A PARTICULAR PURPOSE, EACH OF WHICH IS HEREBY DISCLAIMED.



NEED HELP? CONTACT US FIRST.

1-800-605-7595

**info@palletworks.com
www.palletforks.com**

© 2021 Titan Brands