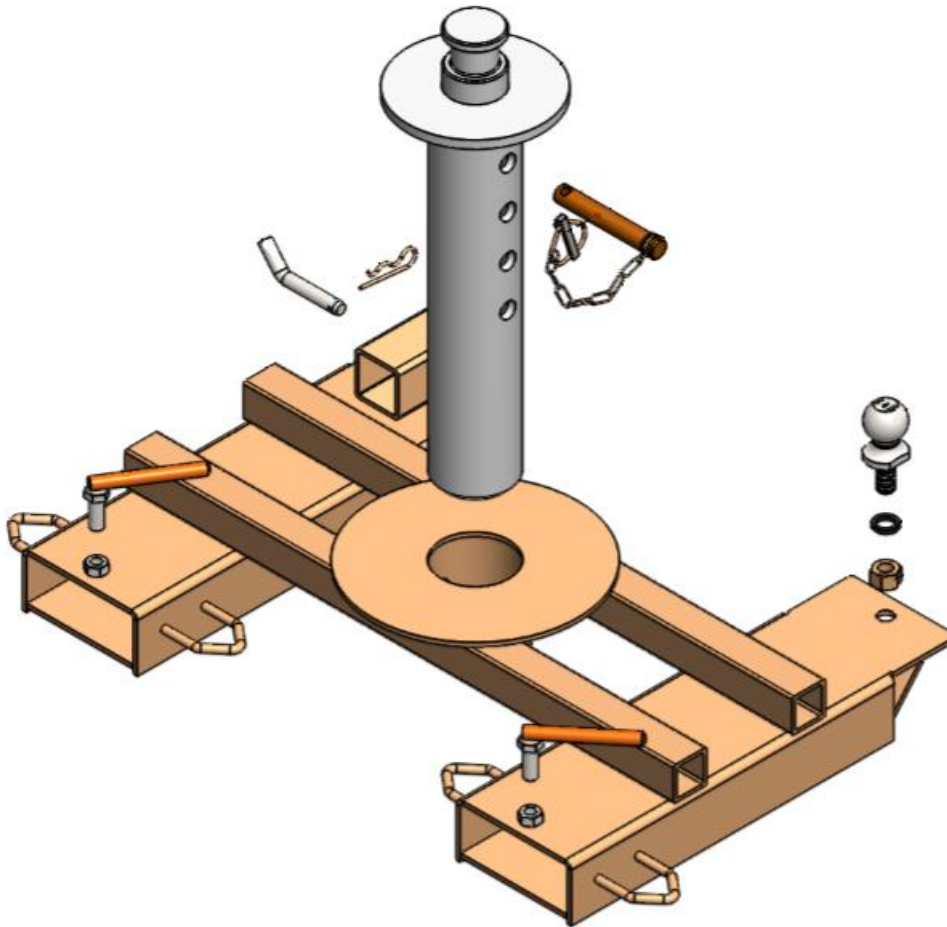




TITAN
ATTACHMENTS

Forklift Multi-Hitch
Owner's Manual



MPN: MULTIH
SKU: 194107
UPC: 719318363997



Titan Distributors Inc.
141 Eastley St. Ste. 113
Collierville, TN 38017

1 800-605-8241

info@titandistributorsinc.com

www.palletforks.com

ASSEMBLY INSTRUCTION

1. Secure the *Forklift Multi-Hitch (1)* to your forklift:

Insert the forks of your forklift into the fork sleeves at the base of the *Forklift Multi-Hitch (1)*, then screw the *Lock Handles (3)* into place and tighten them until the *Forklift Multi-Hitch (1)* is secured.

2. Secure the *King Pin (2)* to the *Forklift Multi-Hitch (1)*:

Insert the *King Pin (2)* into the circular plate located in the center of the *Forklift Multi-Hitch (1)*. Position the *King Pin (2)* to the desired height, then insert the *Connecting Pin (4)* through the hole closest to the desired height and insert the *Pin Lock (10)* through the end of the *Connecting Pin (4)*. Lastly, flip the *Pin Lock (10)* into the locked position.

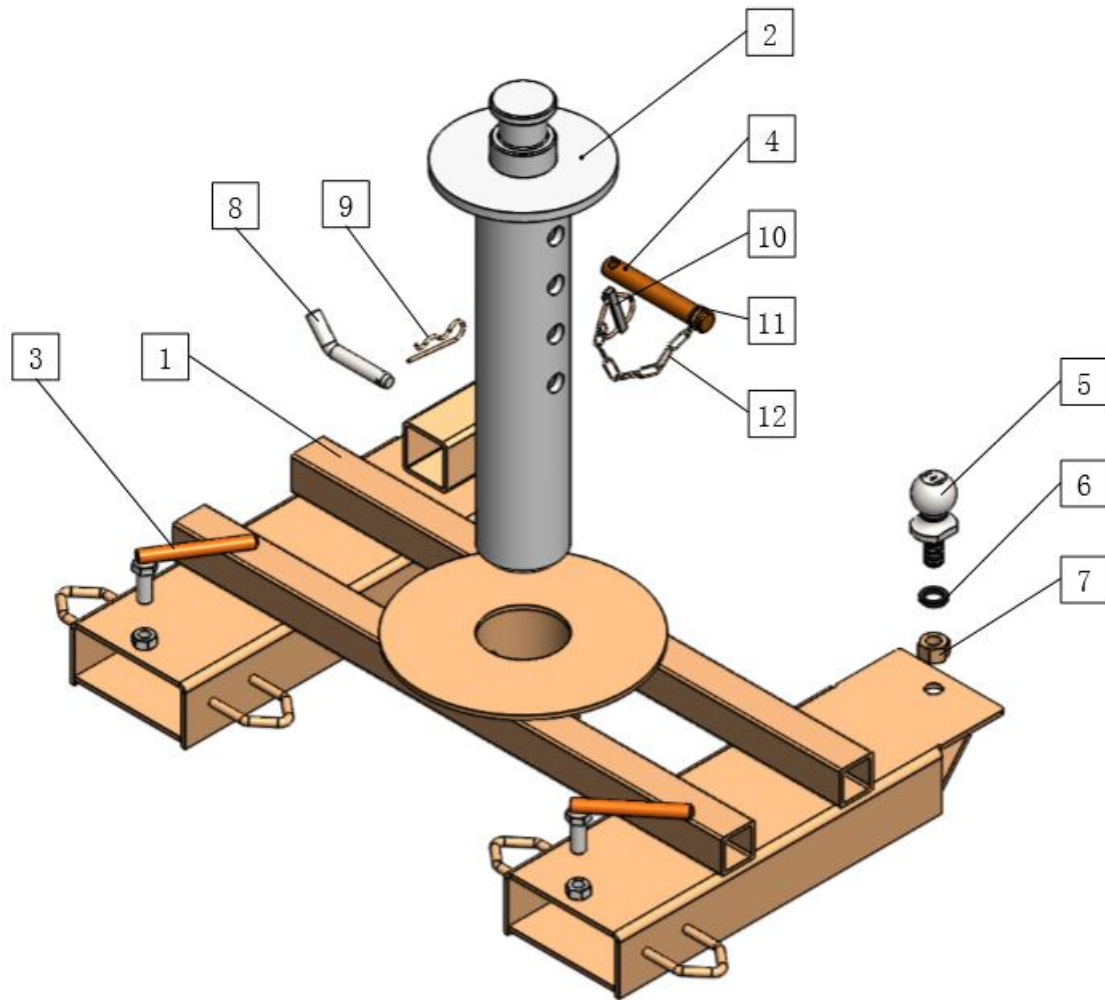
3. Attach the *Ball Hitch (5)* to the *Forklift Multi-Hitch (1)*:

Secure the *Ball Hitch (5)* to the *Forklift Multi-Hitch (1)* using *M20 Spring Washer (6)* and *M20x1.5 Hex Nut (7)*. The order for assembly is *Ball Hitch (5)*, *M20 Spring Washer (6)*, then insert the *Ball Hitch (5)* through the *Forklift Multi-Hitch (1)*, and then tighten the *M20x1.5 Hex Nut (7)* onto the end of the *Ball Hitch (5)*.

4. Secure the *L-Shape Pin (8)* to the tow receiver:

To secure items in the tow receiver, insert your preferred implement into the tow receiver and align the hole drilled through the implement to that of the tow receiver. Next insert the *L-Shaped Pin (8)* through the implement and tow receiver and lock the *L-Shaped Pin (8)* in place by sliding the *B-Shaped Pin (9)* over the end of the *L-Shape Pin (8)*.

PARTS DIAGRAM



Part Number	Part Description	Quantity
1	Forklift Multi-Hitch	1
2	King Pin	1
3	Lock Handle	2
4	Connecting Pin	1
5	Ball Hitch	1
6	M20 Spring Washer	1
7	M20x1.5 Hex Nut	1
8	L-Shape Pin	1
9	B-Shape Pin	1
10	Pin Lock	1
11	Fixed Ring	1
12	Chain	1



NEED HELP?

CONTACT US FIRST

1(800)-605-8241

info@titandistributorsinc.com

Business hours: Monday - Friday • 8am - 5pm Central



Titan Distributors Inc.
141 Eastley St. Ste. 113
Collierville, TN 38017

 1 800-605-8241

 info@titandistributorsinc.com

 www.palletforks.com