



WWW.PALLETFORKS.COM

TITAN

ATTACHMENTS



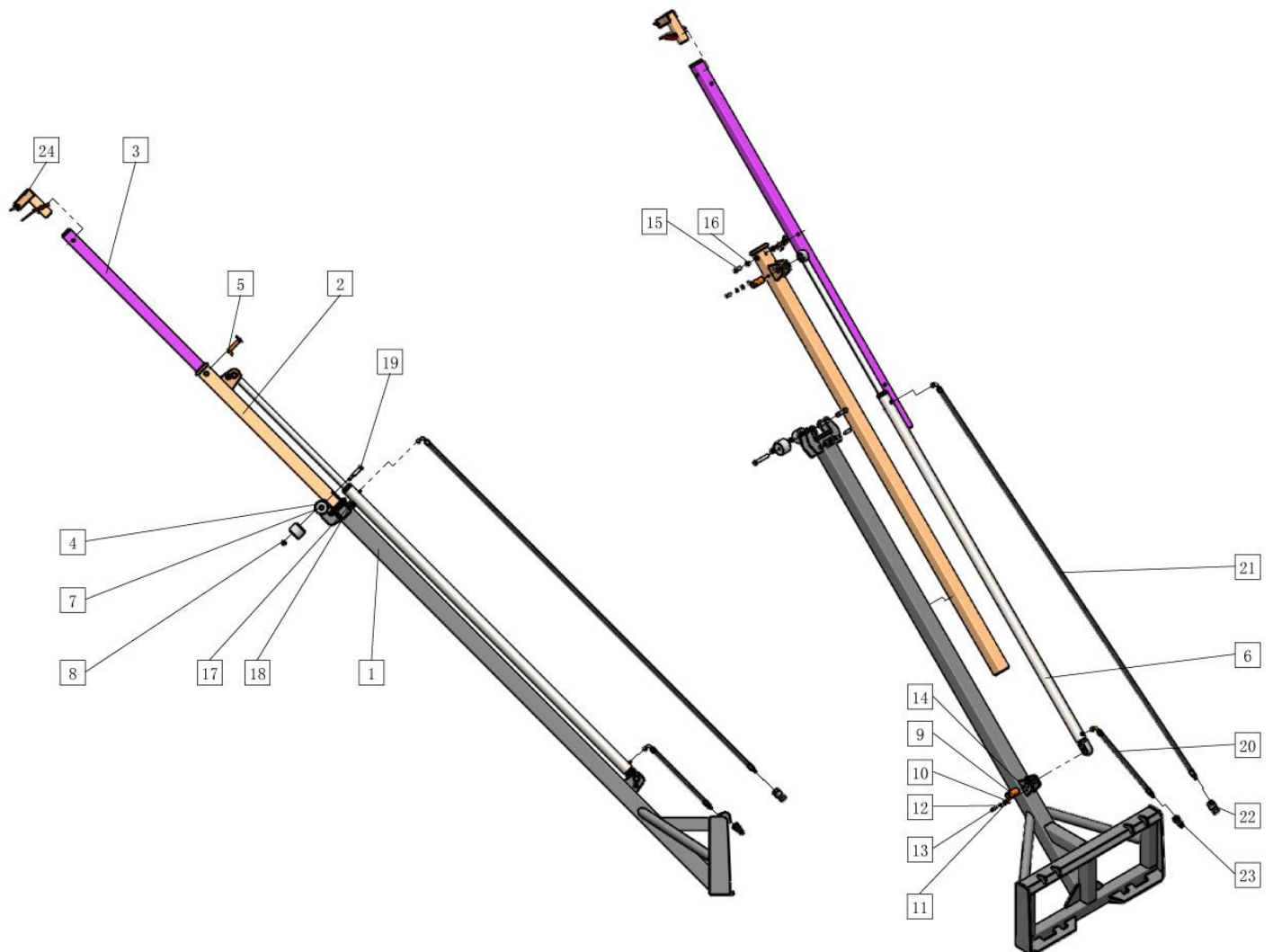
OWNER'S MANUAL

MPN(s): SSTRUSSBOOM

SKU(s): 194109

UPC(s): 840009203909

PARTS DIAGRAM / EXPLODED VIEW



KEY	BOX	DESCRIPTION	QTY
(1)		Section 1 Assembly	1
(2)		Section 2 Assembly	1
(3)		Section 3 Assembly	1
(4)		Slide Roller	3
(5)		Locking Pin Assembly	1
(6)		Hydraulic Cylinder	1
(7)		Hexa Bolt M16x110	1
(8)		Nylon Lock Nut M16	1
(9)		Cylinder Pin	2
(10)		Pin Lock Ring	2
(11)		Flat Washer 12	4
(12)		Spring Washer 12	3
(13)		Hexa Bolt M12x30	2
(14)		Grease Zerk	2
(15)		Hexa Bolt M16x40	2
(16)		Hexa Nut M16	2
(17)		Hexa Bolt M12x50	1
(18)		Hexa Bolt M12x50	1
(19)		Hexa Bolt M16x100	2
(20)		Oil Pipe - Feed	2
(21)		Oil Pipe - Return	2
(22)		Flat Face Coupler - Female	1
(23)		Flat Face Coupler - Male	1
(24)		Hook Assembly	1



ASSEMBLY INSTRUCTIONS



This concludes the Hydraulic Truss Boom Owner's Manual.

If applicable to your product, make sure to tighten all nut-and-bolt combinations before use.

Enjoy!

DISCLAIMER

This equipment must be used with care by capable and competent individuals under supervision, if necessary.

The use of any equipment, including this one, involves the potential risk of injury. You accept and assume full responsibility for any and all injuries, damages (both economic and non-economic), and losses of any type, which may occur, and you fully and forever release and discharge Titan, its insurers, employees, officers, directors, associates, and agents from any and all claims, demands, damages, rights of action, or causes of action, present or future, whether the same be known or unknown, anticipated, or unanticipated, resulting from or arising out of the use of said equipment.

TITAN MAKES NO WARRANTY WHATSOEVER WITH RESPECT TO THE EQUIPMENT, INCLUDING ANY WARRANTY OF MERCHANTABILITY OR WARRANTY OF FITNESS FOR A PARTICULAR PURPOSE, WHETHER EXPRESS OR IMPLIED BY LAW, COURSE OF DEALING, COURSE OF PERFORMANCE, USAGE OF TRADE OR OTHERWISE. BUYER ASSUMES ALL LIABILITY IN USE OF THE EQUIPMENT.

NEED HELP?

CONTACT US FIRST.

1 (800) 605-8241

info@titandistributorsinc.com / www.palletforks.com

Business Hours: Monday–Friday • 8:00 a.m.–5:00 p.m. (CT)

